

## NEW FT SERIES LOW PROFILE UNIT HEATER

The new Reznor FT Series was designed specifically for areas with space limitations.

Approximately half the height of a traditional unit heater, the low profile Model FT sizes 30,000 to 75,000 BTUH require only 1" of top mounting clearance for installation. Sizes 100,000 to 300,000 require only 6" of top clearance

These units deliver high performance, while allowing more headroom and more usable work space.

Model FT units are designed to provide 80-81% thermal efficiency to elevations of 2,000 feet and may be ordered with either natural or propane gas. Options are available to adapt units to higher altitudes.

The Model FT line of heaters is design-certified by International Approval Services to A.N.S.I. and Canadian Standards

The units are covered by a ten year limited warranty on the heat exchanger and a 5 year limited warranty on operating components.\*

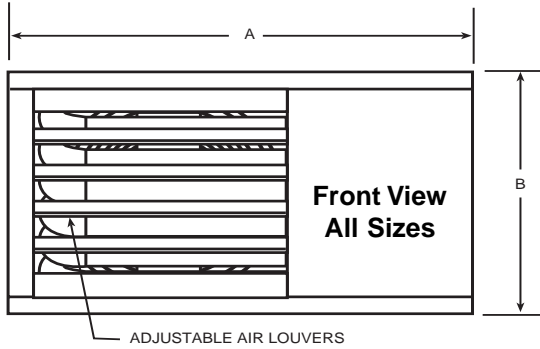
### STANDARD FEATURES

- Tubular Aluminized Steel Heat Exchanger
- Lightweight, Removable Aluminized Steel Burner Rack
- Integrated Circuit Board with LED Diagnostic Indicator Light
- Direct Spark Ignition with 100% Lockout
- Inshot Burners
- High Temperature Limit Control
- Factory Installed Power Venter
- Left or Right Hand Control Capability
- Residential Garage Approval

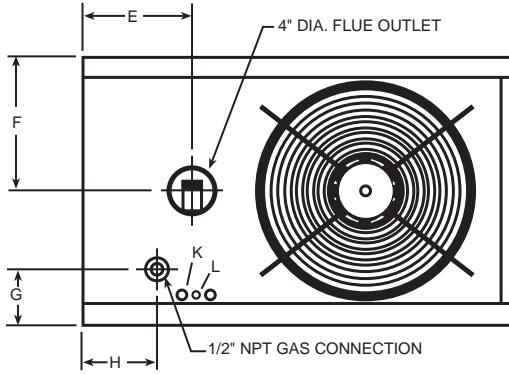
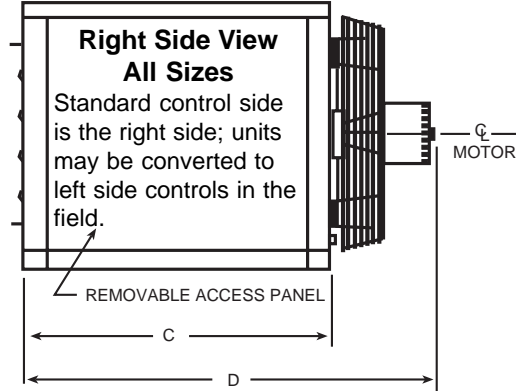
**Call 1-800-695-1901 for details**

\*Warranted against defects in materials and workmanship. See warranty sheet for complete details.

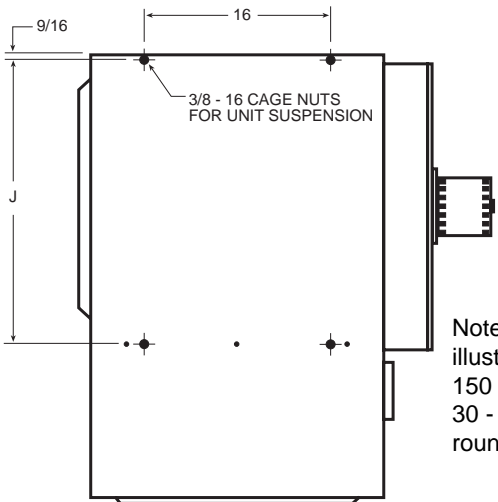
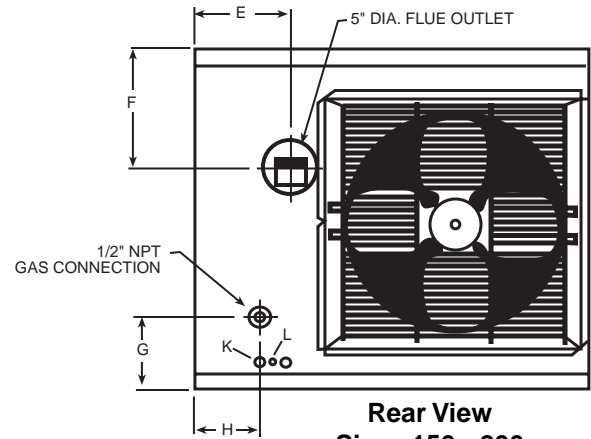
**Dimensions**



NOTE: Composite drawings are not proportional for all sizes.



**Field Wiring Connections**  
 K = 115V/60Hz/1Ph  
 L = Thermostat Wires (24V)



Note: Fan guard illustrated is for Sizes 150 and 200; Sizes 30 - 125 have a round fan guard.

\*Note: Model FT30, 45 and 60 are certified for use in residential garages.

Dimensions (Plus or minus 1/4 inch)

Size	30*	45*	60*, 75	100, 125	150, 200
A	28 3/4	28 3/4	28 3/4	38	38
B	12 1/4	12 1/4	18 1/4	22	33
C	21 1/4	21 1/4	23 1/4	25 1/4	25 1/4
D	25 1/2	26 1/4	31 1/2	33 1/2	34
E	6 1/2	6 1/2	6 1/2	9 3/4	9 1/4
F	5 3/4	5 3/4	8 3/4	11 1/4	11 1/2
G	4	4	4 1/4	4 1/2	7 1/4
H	3	3	3	6 3/4	6 1/2
J	18	18	18	24 1/4	24 1/4

Required Clearances (inches)		
Sizes	30-75	100-200
Top	1	6
Flue Connector	6	6
Access Panel	18	24
Non-Access Side	1	8
Bottom	1	1
Rear	18	18

**WARNING: Gas-fired appliances are not designed for use in hazardous atmospheres containing flammable vapors or combustible dust, or atmospheres containing chlorinated or halogenated hydrocarbons. Installations in public garages or airplane hangars are permitted when in accordance with ANSI Z223.1 and NFPA 54 Codes or CAN1-B149 Codes and enforcing authorities.**