



MODEL SHE

GAS FIRED, HIGH EFFICIENCY



CAN/CGA 2.6-M96



DESCRIPTION

The Reznor® Model SHE Series gas-fired, power-vented, separated combustion, fan-type, high efficiency condensing unit heaters are available in three sizes -- 220,000, 304,000 and 394,000 BTUH gas input -- for use with either natural or propane gas. Model SHE unit heaters are designed to **provide better than 90% thermal efficiency**.

Standard features include an aluminized steel primary heat exchanger, a special corrosion-resistant alloy secondary heat exchanger, a burner rack assembly of die-formed burners, a power venter, a fan and motor with full fan guard, and a horizontal condensate drain connection. Standard controls include a single-stage gas valve, automatic hot surface ignition with 100% shutoff, a combustion air pressure switch, and a safety limit switch.

The heater is designed for suspension from four 3/8"-16 threaded hanger connections in the heater base. A condensate drain must be attached to the horizontal connection provided on the heater. Combustion air inlet/vent may be either vertical or horizontal using a specially designed concentric adapter/terminal.

The Model SHE line of heaters is approved for installation in The United States and Canada by the Canadian Standards Association (CSA).

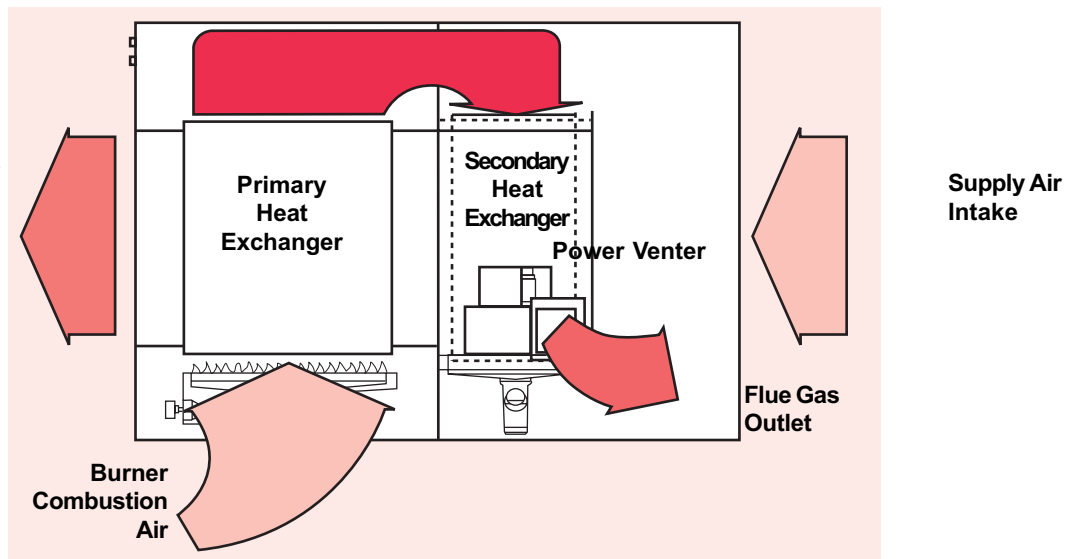
STANDARD FEATURES

- Orifices for natural gas
- Primary heat exchanger of aluminized steel
- Secondary heat exchanger of corrosion resistant alloy
- Aluminized steel burner rack with die-formed burners
- Hot surface ignition with 100% lockout
- Single-stage combination gas valve
- 115/1/60 supply voltage
- 115 volt fan motor with internal overload protection
- Fan and limit controls
- Pressure switch to verify vent flow
- Power venter
- 24-volt control voltage transformer
- Horizontal flue and combustion air connections
- Horizontal condensation drain connection with 1-1/2", threaded fitting
- Individually adjustable horizontal louvers
- Full safety fan guard
- 4-point 1/2"-16 threaded hangers

ACCESSORIES - Field Installed

- Horizontal or Vertical vent/combustion air intake concentric adapter/terminal, 4" or 6" (**installation required**)
- Thermostat
- Gas conversion kits

High Efficiency Operating Principle



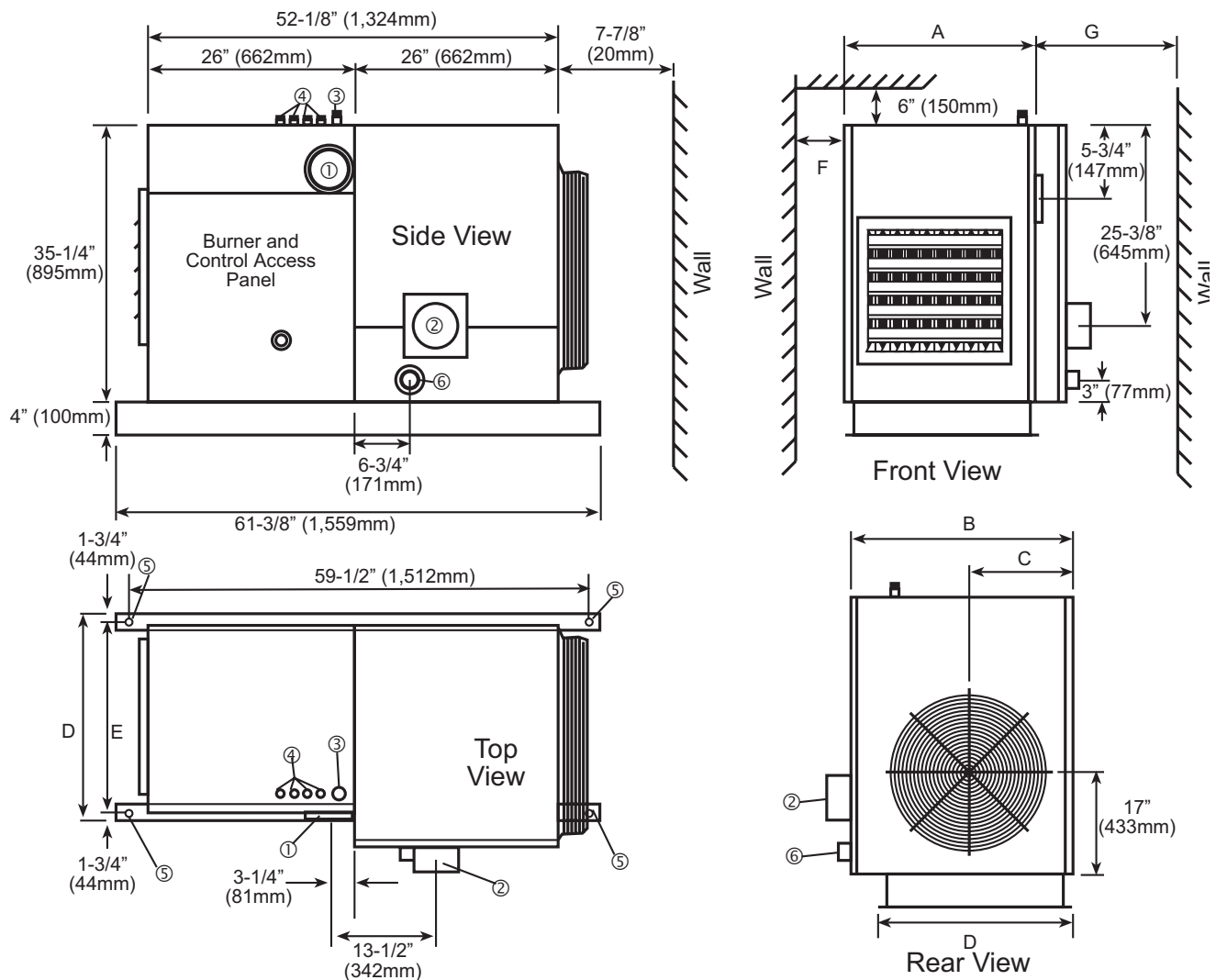
SEPARATED COMBUSTION, CONDENSING UNIT HEATERS

Size	225	300	400
BTUH Input	220,000	304,000	394,000
BTUH Thermal Output	205,000	283,000	365,000
Thermal Efficiency	90+%	90+%	90+%
Control Amps (24-volt)	1.1	1.1	1.1
Full-Load Amps (115 volt)	6.6	5.8	7.8
Motor HP	1/2	1/2	1.0
Motor RPM	1000	1000	1000
Fan Diameter - in. (mm)	24(610)	28(711)	28(711)
Air Volume - CFM (m ³ /h)	3357(5640)	4244(7130)	5720(9610)
Gas Connection (inches) - Natural or Propane Gas	3/4 (19mm)	3/4 (19mm)	3/4 (19mm)
Condensation - gph (kg/h)	1(3.4)	1(4.5)	1.5(6.0)
Approximate Net Wt. - lbs. (kg)	397(170)	485(210)	640(270)
Approximate Shipping Wt - lbs. (kg)	463(210)	563(255)	728(330)

Dimensions/Key:

- ① Combustion Air Intake Collar - 6" (170 mm) PVC Pipe
- ② Flue Outlet Collar - 6" (170 mm) PVC Pipe
- ③ Inlet Gas Service Connection - 3/4" (19 mm)
- ④ Electrical Supply and Controls Inlets
- ⑤ Suspension Points 1/2" (13 mm) diameter -- E x 59-1/2" (1512mm)
- ⑥ Condensation Drain Connection - 1-1/2" ID (41 mm OD)

DIMENSIONS, + or - 1/8" (3mm)



Size	225		300		400	
	in.	mm	in.	mm	in.	mm
A - Width of heating section	34-1/4	870	42-1/2	1080	53-1/2	1360
B - Width of fan cabinet	39-7/8	1013	48-1/8	1223	59-1/8	1503
C - Center of fan to opposite side	16	405	20	510	25-1/2	650
D - Width overall of base frame	34-3/8	874	42-5/8	1084	53-3/4	1364
E - Width of suspension points	31	786	39-1/4	996	50-1/4	1276
F - Opposite side clearance	6	150	6	150	6	150
G - Minimum service clearance	35-3/8	900	43-1/4	1100	55-1/8	1400