



MODEL FT

GAS-FIRED, POWER-VENTED FAN-TYPE UNIT HEATER WITH A TUBULAR HEAT EXCHANGER



ANSI Z83.8



CAN/CGA 2.6

Sizes 30, 45, and 60 are certified to IAS Requirement 10-96 for RESIDENTIAL INSTALLATION. All sizes are approved for commercial/industrial installation.

DESCRIPTION

The FT Series gas-fired, fan-type, power-vented unit heaters are available in sizes ranging from 30,000 to 300,000 BTUH gas input for use with either natural or propane gas. The Model FT line of heaters is approved for installation in The United States and Canada by the Canadian Standards Association (CSA).

Standard functional features include a tubular aluminumized steel heat exchanger and a removable aluminumized steel burner rack. The burner rack is an assembly of inshot burners designed to provide controlled flame stability without lifting or flashback. Standard controls include a single-stage gas valve, direct spark ignition with 100% shutoff, a fan motor, a power venter motor and wheel assembly, a combustion air pressure switch, and a safety limit switch. Operation is controlled by an integrated circuit board that includes an LED diagnostic indicator light. The circuit board monitors heater operation and indicates normal operation as well as identifying any abnormalities in the control operations.

Supply voltage electrical connections and 24-volt control connections are made at the circuit board.

The heater is designed for suspension from four 3/8"-16 threaded hanger connections. The cabinet includes a full fan guard.

The manufacturer provides a 5-year limited warranty against defective operating components and a 10-year limited warranty on the heat exchanger.

STANDARD FEATURES

- Orifices for natural gas
- Tubular aluminumized steel heat exchanger
- Aluminumized steel burner rack with inshot burners
- Direct ignition with 100% lockout
- Single-stage combination gas valve (field adjustable for high altitude operation)
- 115/1/60 supply voltage
- 115 volt fan motor with internal overload protection
- High temperature limit control
- Pressure switch to verify vent flow
- Flame rollout safety switch - Sizes 30-60
- Factory-installed power venter
- Integrated circuit board with LED diagnostic indicator light
- 24-volt control voltage transformer
- Individually adjustable horizontal louvers
- Full safety fan guard
- Powder coat and galvalume steel finish
- 4-point 3/8"-16 threaded hangers
- Left or right hand control capability

OPTIONAL FEATURES - Factory Installed

- Orifices for propane gas
- Orifices for high altitude (2001-9000 ft)
- Low noise (school option) - FT45-LN only
- Common venting option - FT30-CV, FT45-CV only

ACCESSORIES - Field Installed

- Vent cap
- Thermostat
- Vertical louvers
- Downturn nozzles
- Gas conversion kit

Required Clearances (inches)

Sizes	30-75	100-200	250-300
Top	1	6	6
Flue Connector	6	6	6
Access Panel	18	24	24
Non-Access Side	1	8	8
Bottom	1	1	1
Rear	18	18	24

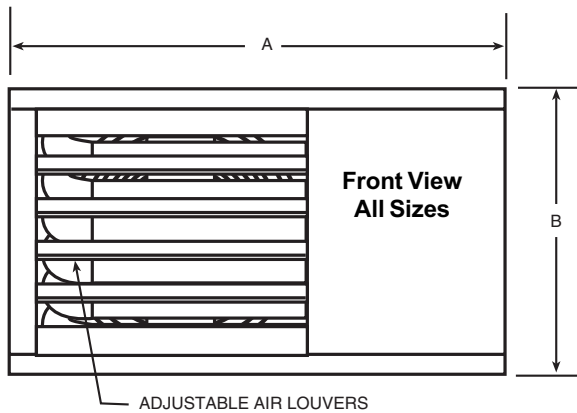
WARNING: Gas-fired appliances are not designed for use in hazardous atmospheres containing flammable vapors or combustible dust, or atmospheres containing chlorinated or halogenated hydrocarbons.

Installations in public garages or airplane hangars are permitted when in accordance with ANSI Z223.1 and NFPA 54 Codes or CAN1-B149 Codes and enforcing authorities.

TECHNICAL DATA - Model FT

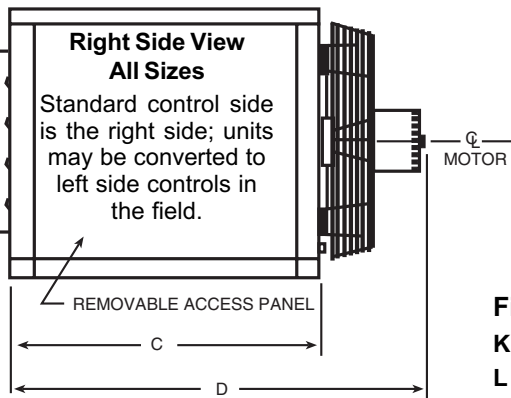
Size	30	45	60	75	100	125	150	200	250	300
BTUH Input	30,000	45,000	60,000	75,000	100,000	125,000	150,000	200,000	250,000	300,000
BTUH Thermal Output	24,000	36,000	48,000	60,750	80,000	100,000	120,000	160,000	200,000	240,000
Thermal Efficiency	80%	80%	80%	81%	80%	80%	80%	80%	80%	80%
Control Amps (24-volt)	0.4	0.4	0.4	0.4	0.4	0.4	0.4	0.4	0.4	0.4
Full-Load Amps (115 volt)	2.3	3.0	5.0	5.0	7.0	7.0	5.8	5.8	8.0	8.0
Motor HP	1/35	1/16	1/20	1/20	1/6	1/6	1/4	1/4	1/2	1/2
Motor RPM	1550	1550	1050	1050	1130	1130	850	850	850	850
Fan Diameter (inches)	10	10	16	16	17.5	17.5	20	20	24	24
CFM	521	747	995	1120	1840	2300	2765	3275	3685	4020
Gas Connection (inches) - Natural or Propane Gas	1/2	1/2	1/2	1/2	1/2	1/2	1/2	1/2	3/4	3/4
Vent Outlet Diameter (inches)	4	4	4	4	4	4	5	5	5	6
Approximate Net Wt (lbs)	60	66	84	90	140	145	205	215	258	280
Approximate Shipping Wt (lbs)	67	73	91	97	161	167	236	247	300	322

DIMENSIONS (inches + or - 1/8")

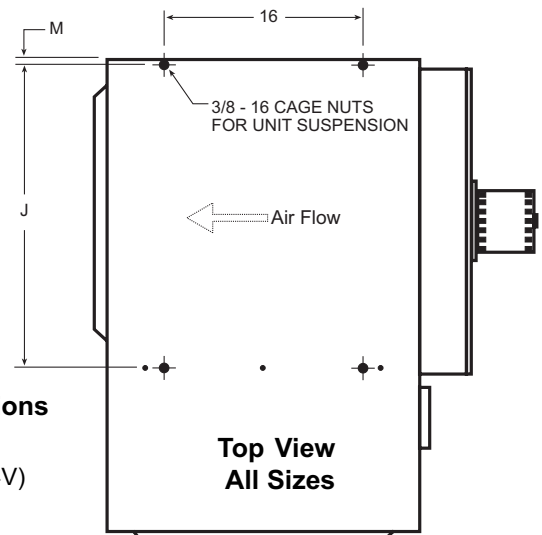


Size	30	45	60,75	100,125	150,200	250,300
A	28-5/8	28-5/8	28-5/8	38	38	50-1/8
B	12-1/8	12-1/8	18-1/8	22-1/16	33-1/16	33-1/16
C	21-1/4	21-1/4	23-1/4	25-5/16	25-5/16	25-5/16
D	25-9/16	26-3/16	31-3/8	33-9/16	34	35-3/8
E	6-9/16	6-9/16	6-9/16	9-3/4	9-3/16	8-3/16
F	5-13/16	5-13/16	8-3/4	11-1/8	11-3/8	11-3/8
G	4	4	4-1/4	4-3/8	7-1/8	7-1/8
H	3-1/16	3-1/16	3-1/16	6-11/16	6-1/2	4-15/16
J	17-15/16	17-15/16	17-15/16	24-1/4	24-1/4	29-3/8
M	9/16	9/16	9/16	9/16	9/16	8-1/2

NOTE: Composite drawings are not proportional for all sizes.



For two point suspension drawing, see page 33.



Field Wiring Connections
 K = 115V/60Hz/1Ph
 L = Thermostat Wires (24V)

