

APPLY TO DIRECT FIRED MODELS AS INDICATED

# ACCESSORIES

Available as indicated with Model Series  
ADF/ADFH, RDF, DFB, DV

Page

- Control Console ..... 62  
 ADF/ADFH     RDF     DFB     DV
- Roof Curb ..... 63 - 64  
 ADF/ADFH     RDF     DFBH     DV
- Disconnect Switch ..... 65  
 ADF/ADFH     RDF     DFB     DV
- Filter Cabinets ..... 65  
 ADF/ADFH     RDF     DFB     DV
- Outdoor Air Hoods ..... 66  
 ADF/ADFH     RDF     DFBH     DV
- Air Inlet Base and Mounting Stands ..... 67  
 ADF/ADFH     RDF     DFBV     DV
- Filter (Return Air) ..... 67  
 ADF/ADFH     RDF     DFB     DV
- Discharge Dampers ..... 68  
 ADF/ADFH     RDF     DFBH     DV
- Full Load Amp Table ..... 69
- Limited Warranty and Direct Fired Product Summary ..... 71
- Evaporative Cooling ..... See Evaporative Cooling Catalog  
 ADF/ADFH     RDF     DFB     DV

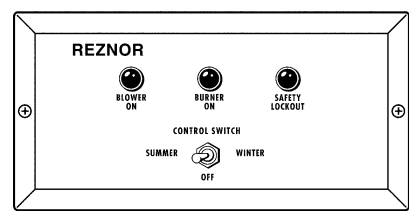
**A  
C  
C  
E  
S  
S  
O  
R  
I  
E  
S**



APPLY TO DIRECT FIRED MODELS AS INDICATED

• **REMOTE CONTROL CONSOLE** (shipped separately)  
 Console is standard or optional (Option RC) depending on the model and gas control option selected.

Model	w/Gas Control Option	Standard	Optional
ADF/ADFH	All except Option AG36	<input type="checkbox"/>	<input checked="" type="checkbox"/>
	Option AG36	<input checked="" type="checkbox"/>	<input type="checkbox"/>
RDF Series	All	<input checked="" type="checkbox"/>	<input type="checkbox"/>
DV Series	All except Option AG36	<input type="checkbox"/>	<input checked="" type="checkbox"/>
	Option AG36	<input checked="" type="checkbox"/>	<input type="checkbox"/>
DFB Series	All except Option AG36 & 38	<input type="checkbox"/>	<input checked="" type="checkbox"/>
	Option AG36 & 38	<input checked="" type="checkbox"/>	<input type="checkbox"/>



**STANDARD FEATURES**

- 16 Gauge Steel Box
- Stainless Steel Mounting Ring
- Engraved Plastic Cover
- Terminal Block Wiring
- Designed for either recessed or wall mounting

• Blower on Light

- Burner on Light
- Safety Lockout Light
- Summer/Off/Winter Switch

**OPTIONAL FEATURES**

- Dirty Filter Light
- Stainless Steel Cover
- Mounted Optional Controls

Illustration shown is an example of a remote console. Dimensions and appearance vary by unit and options.

The remote console includes a summer/off/winter switch for control of the unit, allowing blower only operation in the summer position and blower and burner operation in the winter for tempered makeup air. Blower and burner lights indicate that these components are operating. The safety lockout light indicates flame safeguard relay lockout of the unit.

When electronic modulation gas control Option **AG30**, **AG31**, **AG32**, or **AG35** is specified with an optional remote console, the discharge air temperature selector may be mounted on the remote console.

Any systems ordered with gas control Option **AG36** designed for paint booth application include a remote console. The console includes two switches (dry/spray and summer/off/winter) and a dual control temperature selector. The amplifier for the system is mounted in the console.

When a Model ADF/ADFH is ordered with standard or Option **AG3** gas controls, an override thermostat specified with an optional remote console may be ordered mounted on the console. (Override thermostats may not be used with electronic modulation gas controls.)

When electronic modulation gas control Option **AG33** is specified, there is no temperature selector to mount on the console. The selectrastat shown here is mounted in the space for control of discharge temperature. →



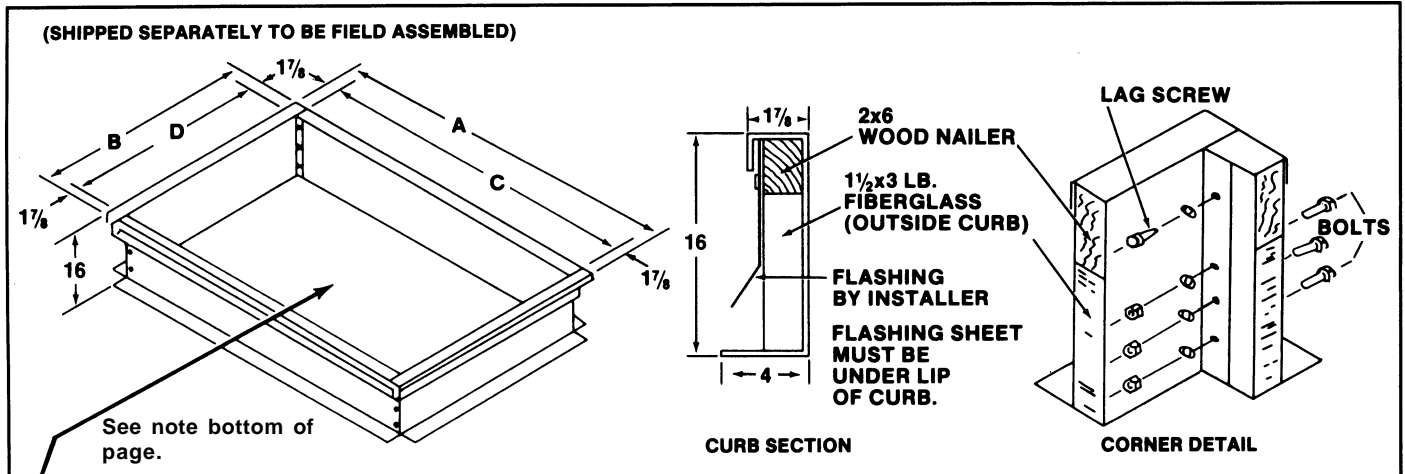
**CONSOLE DIMENSIONS**

The size of the remote control/monitoring console is determined by the gas control specified, whether or not the air control option required a potentiometer, and whether or not a dirty filter light is selected.

Dimensions (inches)	Wall Mounted (using mounting ring)			Recessed (size of box, not using ring)			Locations of Knockout Holes - dimensions (inches) to centerline of all holes
	Length	Height	Depth	Length	Height	Depth	
3 lights, switch, with or without a Maxitrol TD Series temperature selector	10 3/4	5 1/4	2 5/8	10 1/16	4 5/8	2 5/8	
3 lights, switch, potentiometer, with or without a temperature selector							
3 lights, switch, potentiometer, temperature selector	15 3/4	5 1/4	2 5/8	15 1/16	4 5/8	2 5/8	
4 lights, switch, with or without a potentiometer, with or without a temperature selector							
Switches, dual control temperautre selector, amplifier (Console provided with Option AG36)							

APPLY TO DIRECT FIRED MODELS AS INDICATED

**Roof Curb for Models ADF/ADFH and RDF**



ADF/ADFH Roof Curb Dimensions (Inches) *C and D are roof opening dimensions	MODEL →	ADF300	ADF500	ADFH300	ADFH500	ADF700/1200		ADFH700/1200
	DISCHARGE →	Horizontal	or Vertical	Vertical Only		Horizontal	Vertical	Vertical Only
A		84 9/16	84 9/16	108 1/4	108 1/4	90 7/8	115 3/4	115 3/4
B		29 13/16	43 9/16	29 3/4	43 1/2	54 1/2	54 1/2	54 1/2
C*		80 13/16	80 13/16	104 1/2	104 1/2	87 1/8	112	112
D*		26 1/16	39 13/16	26	39 1/4	50 3/4	50 3/4	50 3/4
	Ship Wt. (lbs.)	118	133	142	157	152	176	176

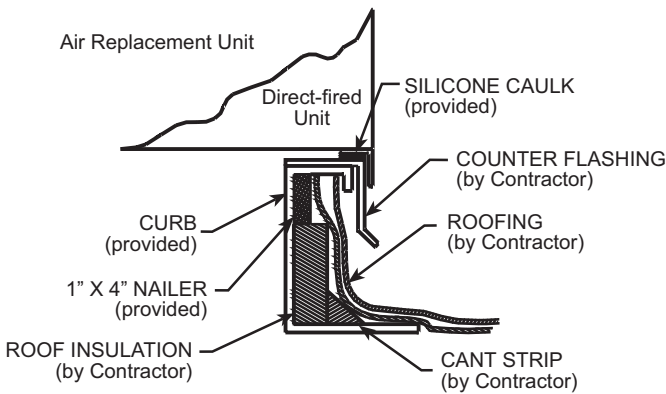
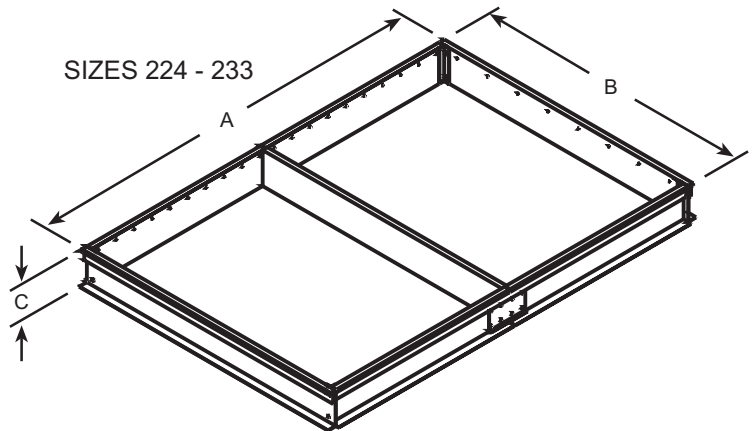
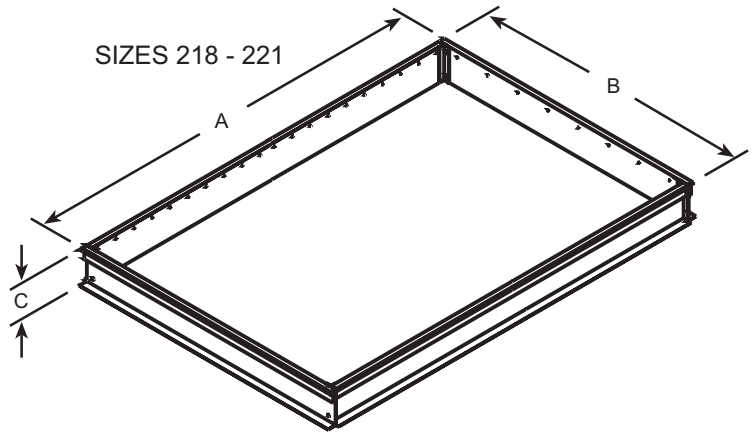
RDF Roof Curb **C and D are roof opening dimensions	MODEL →	RDF-1	RDF-2	RDF-3
	A		84 5/8	84 5/8
B		43 5/8	67 9/16	82 1/16
C**		80 7/8	80 7/8	128
D**		39 7/8	63 13/16	79 15/16
	Ship Wt. (lbs.)	133	167	236

**IMPORTANT:** Area enclosed by roof curb must comply with clearance to combustible materials. If roof is constructed of combustible materials, area within curb must be either ventilated, left open, or covered with noncombustible material which has an "R" value of at least 5.0. If area within curb is left open, higher radiated sound levels may result.

APPLY TO DIRECT FIRED MODELS AS INDICATED

**Model DFB Curb Dimensions**

DIMENSIONS				
	LENGTH	WIDTH	16" CURB	24" CURB
SIZE	A	B	C	C
218	61-1/4	71-1/4	16	24
221	68-1/4	96-1/4	16	24
224	106-1/4	96-1/4	16	24
230	140-1/4	96-1/4	16	24
233	156-1/4	106-1/4	16	24



Size 221 unit has 1-1/2" x 1/12" tubing around rather than angle shown.

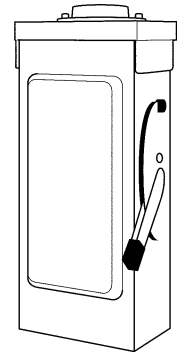
**NOTES**

- 1) Curb Kit is shipped broken down and must be field assembled (bolted together).
- 2) Curb Kit supports the burner and blower sections of the unit. When used with down discharge units, the kit seals discharge ductwork roof openings, preventing water leaks into the building.
- 3) The curb can be used with most conventional flat roofing materials (e.g. bonded, corrugated, etc.).
- 4) If filters, dampers, hoods or other accessories extend beyond the curb, additional supports should be provided by the contractor and placed under the furthest section.

## APPLY TO DIRECT FIRED MODELS AS INDICATED

Refer to Motor F.L.A. chart on pages 60-61 for motor amps. Add unit amps (worst case unit amps is 12.0) to motor F.L.A. to select safety disconnect option. Select a safety disconnect switch from the options available or, field-supply a comparable safety disconnect switch.

Type	Amp	Volt	Opt	Type	Amp	Volt	Opt
Indoor, non-fusible	30	240	CP1	Indoor, fusible	100	600	CP25
Indoor, fusible	30	240	CP2	Indoor, non-fusible	200	240	CP26
Indoor, non-fusible	30	600	CP3	Indoor, fusible	60	240	CP27
Indoor, fusible	30	600	CP4	Indoor, fusible	100	240	CP28
Raintight, non-fusible	30	240	CP5	Indoor, fusible	200	240	CP29
Raintight, fusible	30	240	CP6	Raintight, non-fusible	60	240	CP30
Raintight, non-fusible	30	600	CP7	Raintight, non-fusible	100	240	CP31
Raintight, fusible	30	600	CP8	Raintight, non-fusible	200	240	CP32
Raintight, fusible	60	240	CP17	Indoor, fusible	60	600	CP33
Raintight, fusible	100	240	CP18	Indoor, fusible	200	600	CP34
Raintight, fusible	200	240	CP19	Indoor, non-fusible	200	600	CP35
Raintight, fusible	60	600	CP20	Raintight, fusible	100	600	CP36
Indoor, non-fusible	60	240	CP21	Raintight, fusible	200	600	CP37
Indoor, non-fusible	100	240	CP22	Raintight, non-fusible	60	600	CP38
Indoor, non-fusible	60	600	CP23	Raintight, non-fusible	100	600	CP39
Indoor, non-fusible	100	600	CP24	Raintight, non-fusible	200	600	CP40



## ACCESSORIES

### INLET AIR ACCESSORIES, FILTER CABINETS AND WEATHERHOODS

Model	Accessory	Model	Accessory
ADF/ADFH	Indoor Filter Cabinet Outside Air Hood (no filters) Outside Air Hood with Filters Evaporative Cooling Module (See Evaporative Cooling Catalog)	DFBV	Mounting Stand Inlet Damper V-Bank Filter Section Return Air Option (with or without motorized recirculating damper)
RDF	Outside Air Hood (no filters) Outside Air Hood with Filters Indoor Filter Cabinet Model REC Evaporative Cooling Module (See Evaporative Cooling Catalog)	DV	V-Bank Filter Cabinet with Filters Screened Inlet Base Indoor Inlet Base with Duct Flange Inlet Base with Filters Outside Air Screened Water Eliminator Model REC Evaporative Cooling Module (See Evaporative Cooling Catalog)
DFBH	Screened Outside Air Hood (with or without Filters) V-Bank Filter Section Inlet Damper Curb with Return Air Option (with or without motorized recirculating damper)		

### FILTER CABINETS AND WEATHERHOODS

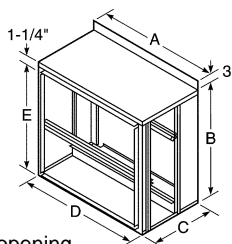
#### ADF/ADFH

##### • INDOOR FILTER CABINET (shipped separately)

All Model ADF/ADFH systems are designed to provide 100% outside makeup air. When a Model ADF/ADFH system is installed indoors, that outside air may be drawn through an optional filter cabinet which is field-attached to the air inlet end of the system. The cabinet is available with either 1" or 2" disposable, 1" or 2" permanent aluminium, or 1" or 2" pleated disposable filters. All cabinets have two filter access doors.

##### Dimensions - Optional Indoor Filter Cabinet

Size	A	B	C*	D**	E**
300	34 1/8	33 1/16	16 13/16	31 1/4	30 1/2
500	47 13/16	33 1/16	16 13/16	45	30 1/2
700/1200	58 15/16	33 1/16	16 13/16	56	30 1/2



Option No.	Indoor Filter Cabinet with -	Approx. Ship Wt. (lbs)		
		300	500	700/1200
AW12	1" Disposable Filters	32	47	60
AW13	2" Disposable Filters	32	47	60
AW3	1" Permanent Filters	32	47	60
AW6	2" Permanent Filters	32	47	60
AW14	1" Pleated Filters	32	47	60
AW15	2" Pleated Filters	32	47	60

\* Includes 1" duct flange extending perpendicular to duct opening.

\*\* Duct connections

APPLY TO DIRECT FIRED MODELS AS INDICATED

## ADF/ADFH SCREENED OUTSIDE AIR HOOD

Option **AS2**, Outside Air Hood, is a weatherized hood designed to be field assembled and installed around the horizontal inlet air opening. Outside air hoods that include filters (Options **AS6**,

**7, 9, 10, 11, 12**) are factory assembled and shipped separately for field installation. To retain certification, a Model **ADF/ADFH installed** outdoors must include either an optional outside air hood or evaporative cooling module.

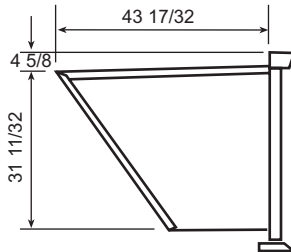
### Optional Outside Air Hood Dimensions (with or without Filters)

#### STANDARD FEATURES

- Weatherized Hood
- Screened
- Moisture-Elimination Louvers (U.S. Patent 4,999,037)

#### OPTIONAL

- Filter Rack with Filters (hood includes door panels for filter access)

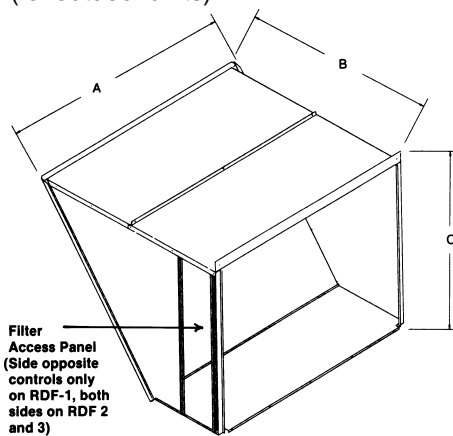


Outside Air Hood is Available less Filter Rack or with Filter Rack and Six Filter Types

Type →	Without Filter Rack	Disposable		Permanent		Pleated	
Size →	AS2	1"	2"	1"	2"	1"	2"
Option →	AS2	AS11	AS12	AS6	AS7	AS9	AS10
ADF/ADFH Model Size	Width of Air Hood (with or without filters)		Ship Weight (lbs.)				
300	34 1/8	76	83	83	83	83	83
500	47 7/8	87	99	99	99	99	99
700/1200	58 7/8	96	111	111	111	111	111

## RDF SCREENED OUTSIDE AIR HOOD

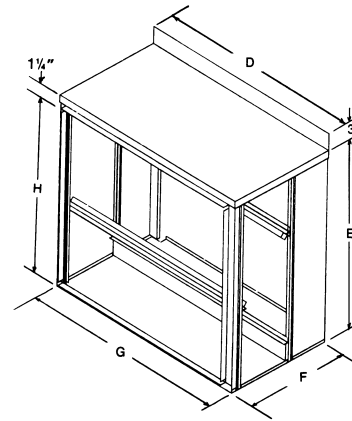
(for outdoor units)



**OPTION AS2** OUTSIDE AIR HOOD  
**OPTION AS6** OUTSIDE AIR HOOD w/1" FILTERS  
**OPTION AS7** OUTSIDE AIR HOOD w/2" FILTERS

## RDF INDOOR FILTER CABINET

(with duct flange to attach outside air duct)

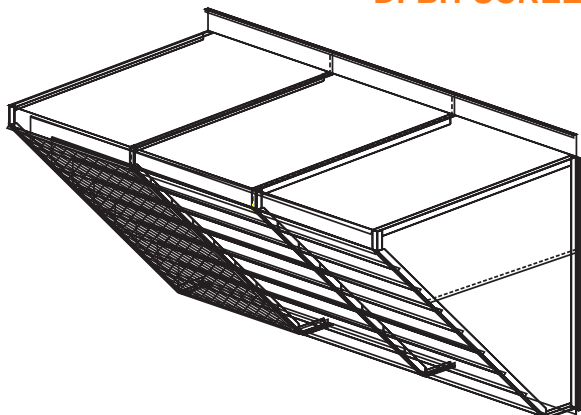


**OPTION AW3** INDOOR FILTER CABINET w/1" FILTERS  
**OPTION AW6** INDOOR FILTER CABINET w/2" FILTERS  
 (All AW3 and AW6 cabinets have a filter access panel on both sides.)

Model	A	B	C	D	E	F	G*	H*	No. of Filters	Filter Size		Shipping Weights (lbs.)				
										AS6, AW3	AS7, AW6	AS2	AS6	AS7	AW3	AW6
RDF-1	38	55	36	32 1/2	33 1/8	19 1/2	32 7/8	30 1/2	3	12 x 35 x 1	12 x 35 x 2	225	250	270	100	120
RDF-2	62	54	47 1/2	56 1/2	44 5/8	19 1/2	56 7/8	42 1/16	4	12 x 35 x 1	12 x 35 x 2	310	350	380	150	180
									4	12 x 24 x 1	12 x 24 x 2					
RDF-3	74 1/4	64	61 3/8	68 3/4	58 1/2	19 1/2	68 7/8	56	12	12 x 35 x 1	12 x 35 x 2	400	450	490	200	240

\* Duct Connection. **NOTE: AS Options for RDF-3 require field assembly. All AS and AW Options require field installation.**

## DFBH SCREENED OUTSIDE AIR HOOD



### FEATURES

- Screened
- Industrial-type construction
- Optional rain shield
- Factory-assembled for field installation

See dimension data in DFB Section pages 48 - 51.

APPLY TO DIRECT FIRED MODELS AS INDICATED

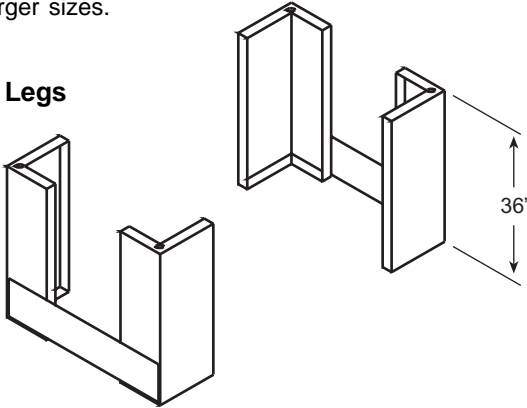
## Model DFBV

### Mounting Legs/Stand

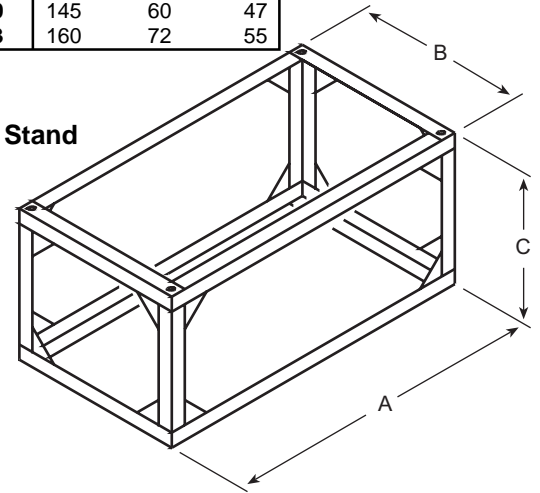
Mounting Legs bolt to the bottom of the unit in the field. Mounting Legs used for Vertical Model DFBV size 218 only. Mounting Stand used for larger sizes.

SIZE	A	B	C
221	100	43	36
224	110	55	46
230	145	60	47
233	160	72	55

### Mounting Legs



### Mounting Stand



## Model DV

### Outside Air Inlet Base

#### Features/Selection:

- Outdoor screened inlet base
- Indoor inlet base with duct flange to attach outside air duct
- Outdoor Inlet base with 2" permanent filters around the perimeter
- Optional inlet air damper
- Optional screened water separator (installed either on inlet base or at the wall of building opening)

### V-Bank Filter Cabinet

#### Features:

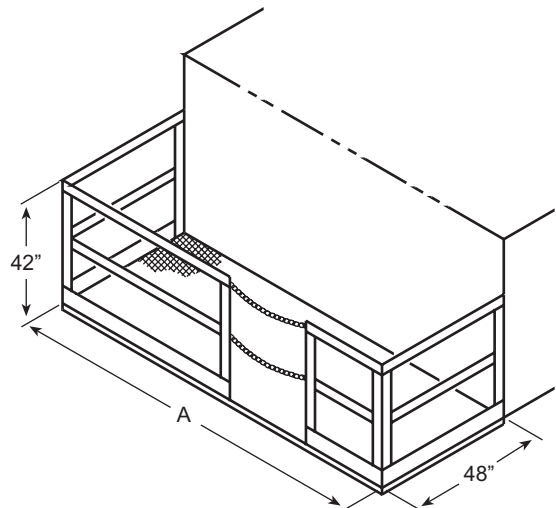
- Between the base and the burner section, filter cabinet adds 27" to system height
- Includes 1" disposable, 1" or 2" permanent filters, or 1" or 2" pleated filters  
See illustration on page 45.

## ACCESSORIES SERVICE PLATFORM

### Model DFBV SERVICE PLATFORM

#### NOTE:

1. VERTICAL UNITS - Length "A" will be the same as width of unit.
2. HORIZONTAL UNITS - Length "A" will be the same as sections covered added together.

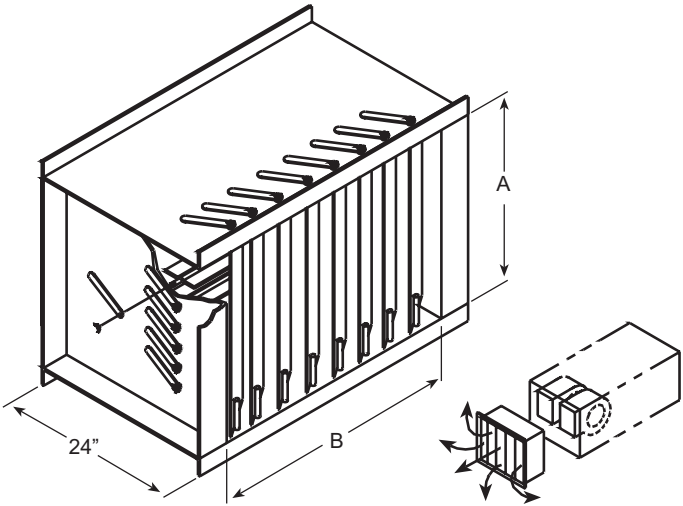


**ACCESSORIES**

**DISCHARGE COWLING AND DAMPERS**

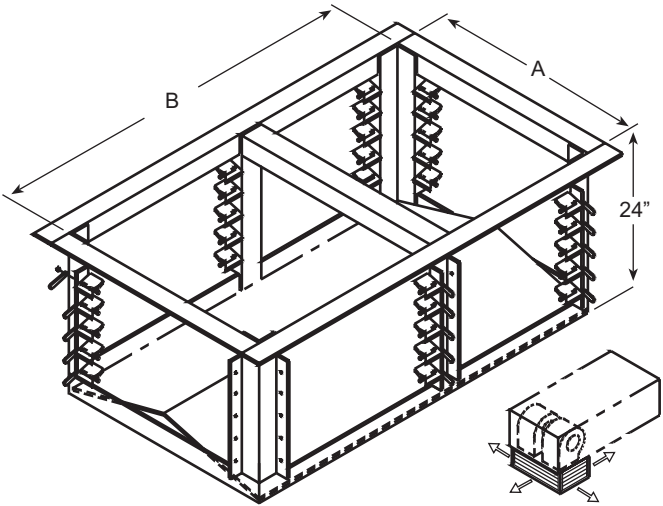
**Model DFBH**  
**Double Deflection**  
**Discharge Louvers**

SIZE	A	B
218	26	58
221	33	76
224	35	90
230	40	115
233	40	140



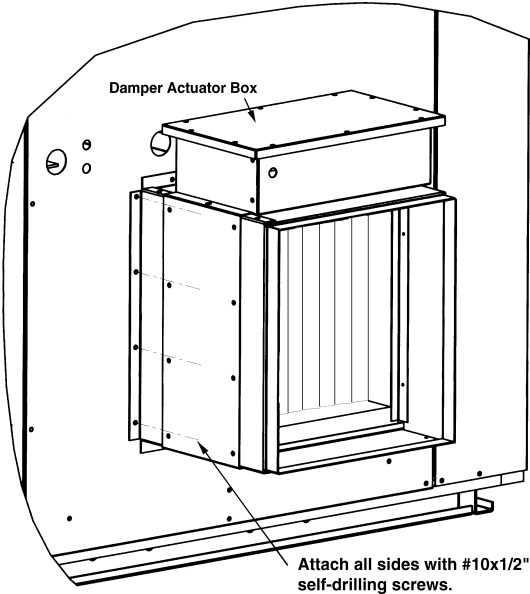
**Model DFBH**  
**Four-way Discharge Plenum**  
 Fits curb size damper

Size	A	B
218	26	58
221	33	76
224	35	90
230	40	115
233	40	140



**Model DV**  
**Discharge Dampers**  
**Features:**

- 2-Position or modulating control
- Duct flange
- Shipped separate for field installation





## MOTOR FULL LOAD AMPS (F.L.A.) TABLES

HP	Motor Type	Motor F.L.A.	Motor RPM	Voltage	PH
0.50	OPEN	8.80	1750	120	1
0.50	OPEN	5.10	1750	208	1
0.50	OPEN	4.40	1750	240	1
0.50	OPEN	2.10	1750	208	3
0.50	OPEN	2.00	1750	240	3
0.50	OPEN	1.00	1750	480	3
0.50	TEFC	7.00	1750	120	1
0.50	TEFC	3.40	1750	208	1
0.50	TEFC	3.50	1750	240	1
0.50	TEFC	2.30	1750	208	3
0.50	TEFC	2.00	1750	240	3
0.50	TEFC	1.00	1750	480	3
0.50	TEFC	0.70	1750	575	3
0.75	OPEN	11.00	1750	120	1
0.75	OPEN	6.30	1750	208	1
0.75	OPEN	5.50	1750	240	1
0.75	OPEN	2.90	1750	208	3
0.75	OPEN	2.60	1750	240	3
0.75	OPEN	1.30	1750	480	3
0.75	TEFC	11.00	1750	120	1
0.75	TEFC	5.40	1750	208	1
0.75	TEFC	5.50	1750	240	1
0.75	TEFC	2.00	1750	208	3
0.75	TEFC	2.22	1750	240	3
0.75	TEFC	1.10	1750	480	3
0.75	TEFC	0.80	1750	575	3
1.00	OPEN	13.00	1750	120	1
1.00	OPEN	7.50	1750	208	1
1.00	OPEN	6.50	1750	240	1
1.00	OPEN	3.70	1750	208	3
1.00	OPEN	3.20	1750	240	3
1.00	OPEN	1.60	1750	480	3
1.00	OPEN	1.40	1750	575	3
1.00	TEFC	13.00	1750	120	1
1.00	TEFC	6.50	1750	240	1
1.00	TEFC	3.30	1750	208	3
1.00	TEFC	3.40	1750	240	3
1.00	TEFC	1.70	1750	480	3
1.00	TEFC	1.40	1750	575	3
1.00	EE	3.10	1750	208	3
1.00	EE	2.70	1750	240	3
1.00	EE	1.35	1750	480	3
1.00	EE	1.10	1750	575	3
1.50	TEFC	16.40	1750	120	1
1.50	TEFC	9.50	1750	208	1
1.50	TEFC	8.20	1750	240	1
1.50	TEFC	4.30	1750	208	3
1.50	TEFC	4.40	1750	240	3
1.50	TEFC	2.20	1750	480	3
1.50	TEFC	1.80	1750	575	3
1.50	EE	4.50	1750	208	3
1.50	EE	3.90	1750	240	3
1.50	EE	1.95	1750	480	3
1.50	EE	1.60	1750	575	3
1.50	OPEN	15.00	1750	120	1
1.50	OPEN	8.30	1750	208	1
1.50	OPEN	7.50	1750	240	1
1.50	OPEN	5.60	1750	208	3
1.50	OPEN	5.00	1750	240	3
1.50	OPEN	2.70	1750	480	3
1.50	OPEN	2.00	1750	575	3

HP	Motor Type	Motor F.L.A.	Motor RPM	Voltage	PH
2.00	OPEN	20.40	1750	120	1
2.00	OPEN	10.00	1750	208	1
2.00	OPEN	10.20	1750	240	1
2.00	OPEN	7.00	1750	208	3
2.00	OPEN	6.60	1750	240	3
2.00	OPEN	3.30	1750	480	3
2.00	OPEN	2.40	1750	575	3
2.00	TEFC	24.00	1750	120	1
2.00	TEFC	12.00	1750	240	1
2.00	TEFC	6.50	1750	208	3
2.00	TEFC	5.60	1750	240	3
2.00	TEFC	2.80	1750	480	3
2.00	TEFC	2.20	1750	575	3
2.00	EE	6.00	1750	208	3
2.00	EE	5.20	1750	240	3
2.00	EE	2.60	1750	480	3
2.00	EE	2.10	1750	575	3
3.00	OPEN	14.00	3600	208	1
3.00	OPEN	12.40	3600	240	1
3.00	OPEN	9.10	3600	208	3
3.00	OPEN	8.40	3600	240	3
3.00	OPEN	4.20	3600	480	3
3.00	OPEN	3.60	3600	575	3
3.00	TEFC	30.00	3600	120	1
3.00	TEFC	15.00	3600	240	1
3.00	TEFC	8.50	3600	208	3
3.00	TEFC	8.20	3600	240	3
3.00	TEFC	4.10	3600	480	3
3.00	TEFC	3.10	3600	55	3
3.00	EE	8.60	3600	208	3
3.00	EE	7.80	3600	240	3
3.00	EE	3.90	3600	480	3
3.00	EE	3.00	3600	575	3
5.00	OPEN	28.00	3600	208	1
5.00	OPEN	26.00	3600	240	1
5.00	OPEN	13.40	3600	208	3
5.00	OPEN	13.20	3600	240	3
5.00	OPEN	6.60	3600	480	3
5.00	OPEN	5.40	3600	575	3
5.00	TEFC	13.20	3600	208	1
5.00	TEFC	12.00	3600	240	1
5.00	TEFC	6.00	3600	480	3
5.00	TEFC	4.80	3600	575	3
5.00	TEFC	22.80	3600	240	3
5.00	EE	13.90	3600	208	3
5.00	EE	12.60	3600	240	3
5.00	EE	6.30	3600	480	3
5.00	EE	4.80	3600	575	3
5/2.2	2 SPD	17.2/11.3	1800/1200	208	1
5/2.2	2 SPD	15.5/10.2	1800/1200	230	3
5/2.2	2 SPD	7.1/4.8	1800/1200	460	3
7.50	OPEN	22.00	1750	208	3
7.50	OPEN	21.00	1750	240	3
7.50	OPEN	35.00	1750	208	1
7.50	OPEN	32.00	1750	240	1
7.50	OPEN	10.50	1750	480	3
7.50	OPEN	8.40	1750	575	3
7.50	TEFC	34.00	1750	240	1
7.50	TEFC	23.00	1750	208	3
7.50	TEFC	21.00	1750	240	3
7.50	TEFC	10.50	1750	480	3

**MOTOR FULL LOAD AMPS (F.L.A.) TABLES (cont'd)**

HP	Motor Type	Motor F.L.A.	Motor RPM	Voltage	PH
7.50	TEFC	8.40	1750	575	3
7.50	EE	22.50	1750	208	3
7.50	EE	19.60	1750	240	3
7.50	EE	9.80	1750	480	3
7.50	EE	7.50	1750	575	3
7.5/3.3	2 SPD	21.6/13.6	1800/1200	208	3
7.5/3.3	2 SPD	19.5/12.3	1800/1200	230	3
7.5/3.3	2 SPD	9.75/6.2	1800/1200	460	3
10.00	OPEN	42.00	1750	208	1
10.00	OPEN	38.00	1750	240	1
10.00	OPEN	30.00	1750	208	3
10.00	OPEN	26.00	1750	240	3
10.00	OPEN	13.00	1750	480	3
10.00	OPEN	10.40	1750	575	3
10.00	OPEN	9.90	1750	575	3
10.00	TEFC	39.00	1750	240	1
10.00	TEFC	30.00	1750	208	3
10.00	TEFC	26.00	1750	240	3
10.00	TEFC	13.00	1750	480	3
10.00	TEFC	10.40	1750	575	3
10.00	TEE	28.00	1750	208	3
10.00	EE	24.40	1750	240	3
10.00	EE	12.20	1750	480	3
10.00	EE	9.70	1750	575	3
10/4.4	2 SPD	31/19.4	1800/1200	208	3
10/4.4	2 SPD	28/17.5	1800/1200	230	3
10/4.4	2 SPD	13.5/7.5	1800/1200	460	3
15.00	OPEN	43.10	1750	208	3
15.00	OPEN	39.00	1750	240	3
15.00	OPEN	19.50	1750	480	3
15.00	OPEN	16.00	1750	575	3
15.00	TEFC	38.00	1750	240	3
15.00	TEFC	19.00	1750	480	3
15.00	TEFC	15.00	1750	575	3
15.00	EE	40.00	1750	208	3
15.00	EE	36.00	1750	240	3
15.00	EE	18.00	1750	480	1
15.00	EE	14.50	1750	575	3
15/6.7	2 SPD	45/21	1800/1200	208	3
15/6.7	2 SPD	54/21	1800/1200	230	3
15/6.7	2 SPD	20/10.5	1800/1200	460	3
20.00	OPEN	58.70	1750	208	3
20.00	OPEN	53.00	1750	240	3
20.00	OPEN	26.50	1750	480	3
20.00	OPEN	21.20	1750	575	3
20.00	TEFC	52.00	1750	240	3
20.00	TEFC	26.00	1750	480	3
20.00	TEFC	20.60	1750	55	3
20.00	EE	52.90	1750	208	3
20.00	EE	48.00	1750	140	3
20.00	EE	24.00	1750	480	3
20.00	EE	19.20	1750	575	3
20/8.9	2 SPD	53.8/27.9	1800/1200	208	3
20/8.9	2 SPD	51/27	1800/1200	230	3
20/8.9	2 SPD	24/12	1800/1200	460	3
25.00	OPEN	73.00	1750	208	3
25.00	OPEN	66.00	1750	240	3
25.00	OPEN	33.00	1750	480	3
25.00	OPEN	26.00	1750	575	3
25.00	OPEN	69.20	1750	208	3
25.00	OPEN	66.00	1750	230	3
25.00	OPEN	33	1750	460	3
25.00	TEFC	25	1750	575	3
25.00	TEFC	76	1750	208	3
25.00	TEFC	60	1750	230	3

HP	Motor Type	Motor F.L.A.	Motor RPM	Voltage	PH
25.00	TEFC	30.00	1750	460	3
25.00	TEFC	24.00	1750	575	3
25.00	EE/OPEN	67.30	1750	208	3
25.00	EE/OPEN	61.00	1750	230	3
25.00	EE/OPEN	30.50	1750	460	3
25.00	EE/OPEN	24.50	1750	575	3
25/11	2 SPD	30/17.0	1800/1200	460	3
30.00	OPEN	78.00	1750	208	3
30.00	OPEN	74.00	1750	240	3
30.00	OPEN	37.00	1750	480	3
30.00	OPEN	28.50	1750	575	3
30.00	TEFC	91.00	1750	208	3
30.00	TEFC	72.00	1750	230	3
30.00	TEFC	36.00	1750	460	3
30.00	TEFC	258.50	1750	575	3
30.00	EE/OPEN	81.00	1750	208	3
30.00	EE/OPEN	73.20	1750	230	3
30.00	EE/OPEN	36.60	1750	460	3
30.00	EE/OPEN	29.30	1750	575	3
30/13	2 SPD	38/18	1800/1200	460	3
40.00	OPEN	105.00	1750	208	3
40.00	OPEN	104.00	1750	230	3
40.00	OPEN	52.00	1750	460	3
40.00	OPEN	37.60	1750	575	3
40.00	TEFC	120.00	1750	208	3
40.00	TEFC	94.00	1750	230	3
40.00	TEFC	47.00	1750	460	3
40.00	TEFC	39.00	1750	575	3
40.00	EE/OPEN	106.00	1750	208	3
40.00	EE/OPEN	6.00	1750	230	3
40.00	EE/OPEN	48.00	1750	460	3
40.00	EE/OPEN	38.00	1750	575	3
40/18	2 SPD	57/26	1800/1200	460	3
50.00	OPEN	140.00	1750	208	3
50.00	OPEN	126.00	1750	230	3
50.00	OPEN	63.00	1750	460	3
50.00	OPEN	48.00	1750	575	3
50.00	TEFC	142.00	1750	208	3
50.00	TEFC	118	1750	230	3
50.00	TEFC	59	1750	460	3
50.00	TEFC	47	1750	575	3
50.00	EE/OPEN	132.00	1750	208	3
50.00	EE/OPEN	120.00	1750	230	3
50.00	EE/OPEN	60.00	1750	460	3
50.00	EE/OPEN	48.00	1750	575	3
60.00	OPEN	140.00	1750	230	3
60.00	OPEN	70.00	1750	460	3
60.00	OPEN	57.00	1750	575	3
60.00	TEFC	140.00	1750	230	3
60.00	TEFC	70.00	1750	460	3
60.00	TEFC	58.00	1750	575	3
60.00	EE/OPEN	148.00	1750	208	3
60.00	EE/OPEN	144	1750	230	3
60.00	EE/OPEN	72	1750	460	3
60.00	EE/OPEN	52.5	1750	575	3
75.00	OPEN	170.00	1750	230	3
75.00	OPEN	85.00	1750	460	3
75.00	OPEN	71.50	1750	575	3
75.00	TEFC	168.00	1750	230	3
75.00	TEFC	84.00	1750	460	3
75.00	TEFC	70.00	1750	575	3
75.00	EE/OPEN	186	1750	208	3
75.00	EE/OPEN	170	1750	230	3
75.00	EE/OPEN	85	1750	460	3
75.00	EE/OPEN	65.6	1750	575	3

## REZNOR PRODUCT LIMITED WARRANTY

Thomas & Betts Corporation warrants to the original owner-user that this Reznor product will be free from defects in material or workmanship. This warranty is limited to twelve (12) months from the date of original installation, whether or not actual use begins on that date, or eighteen (18) months from date of shipment by Thomas & Betts Corporation, whichever occurs first.

### LIMITATIONS AND EXCLUSIONS

Thomas & Betts Corporation's obligation under this warranty is limited to repair or replacement at its manufacturing facility, of any part or parts of this Reznor product identified by model or serial number which shall be returned to Thomas & Betts Corporation with transportation charges prepaid and which the manufacturer's examination shall disclose to its satisfaction to be defective. Reznor parts or products will not be accepted at the manufacturing facility without an attached Return Materials Tag. Repaired or replacement parts will be shipped by the Thomas & Betts Corporation facility, F.O.B. shipping point.

1. This warranty does not cover labor or other costs incurred in repairing, removing, installing, servicing, or handling of parts or complete products.
2. This warranty will not apply if the input to the product exceeds the rated input as indicated on the name plate by more than 5%, or if the product in the judgement of the manufacturer has been subjected to misuse, negligence, accident, corrosive atmospheres, atmospheres containing any contaminant - (silicone, aluminum oxide, etc.) that adheres to the spark ignition pilot flame sensing probe causing interruption of normal operation, excessive thermal shock, physical damage, impact, abrasion, unauthorized alterations, or operation contrary to the manufacturer's printed instructions. Or if the serial number has been altered, defaced or removed.
3. Thomas & Betts Corporation shall not be liable for any default or delay in performance of its warranty obligations hereunder caused by any circumstances beyond its control. Including but not limited to judicial or government restrictions or restrains, strikes, fires, floods, or reduced supplies of raw materials, energy, or parts.
4. To the maximum extent provided by law, Thomas & Betts Corporation will not be liable for any loss, damage, cost of repair, or incidental or consequential damages of any kind in connection with the sale, use, or repair of any Reznor products. THIS WARRANTY IS IN LIEU OF ALL OTHER WARRANTIES, EXPRESS AND IMPLIED, AND THOMAS & BETTS CORPORATION DISCLAIMS ALL OTHER EXPRESS WARRANTIES AND ALL IMPLIED WARRANTIES, INCLUDING IMPLIED WARRANTIES OF MERCHANTABILITY AND OF FITNESS FOR A PARTICULAR PURPOSE. No person is authorized to assume for Thomas & Betts Corporation any other warranty, obligation, or liability.

**SUMMARY AND INDEX OF REZNOR DIRECT-FIRED EQUIPMENT (All models are approved for either indoor or outdoor installation; options may be required.)**

	CFM Range	Model	Size	MBH Maximum Capacity	Model Configuration	Page
<b>SUMMARY AND INDEX OF REZNOR DIRECT-FIRED EQUIPMENT (All models are approved for either indoor or outdoor installation; options may be required.)</b>	1000-3000	RDF-1	20	400	Horizontal	22
	750-2250	DV	109		Vertical	32
	2000-5000	ADF	300	500	Horizontal	4
	2000-6000	ADFH	300		Horizontal	
	2000-4500	RDF-1	40	600	Horizontal	22
	2000-4000	DV	112		Vertical	32
	2000-5500	ADF	500	750	Horizontal	6
	2000-7300	ADFH	500		Horizontal	
	3000-6000	RDF-1	50		Horizontal	
	4000-6500	RDF-1	65	1000	Horizontal	22
	4000-7000	DV	115		Vertical	
	3000-1000	ADF	700	1250	Horizontal	6
			700		Horizontal	
		ADF	1200		Horizontal	
			1200		Horizontal	
	6000-12000	RDF-2	80	1500	Horizontal	22
	9000-16000	RDF-2	120		Horizontal	
	5000-1200	DV	118	1750	Vertical	32
	9000-20000	DFBH	218	2000	Horizontal	44
		DFBV	218		Vertical	
	11000-20000	RDF-3	180	2500	Horizontal	22
	8000-16500	DV	122		Vertical	32
	12000-22000	DV	125	3000	Vertical	32
	16000-28000	RDF-3	260		Horizontal	22
DFBH		221	Horizontal		44	
10000-30000	DFBV	221	Vertical			
	25000-45000	DFBH	224	4000	Horizontal	44
DFBV		224	Vertical			
30000-60000	DFBH	230	6000	Horizontal	44	
	DFBV	230		Vertical		
40000-75000	DFBH	233	8000	Horizontal	44	
	DFBV	233		Vertical		

Reznor is registered in at least the United States. All other trademarks are the property of their respective companies.