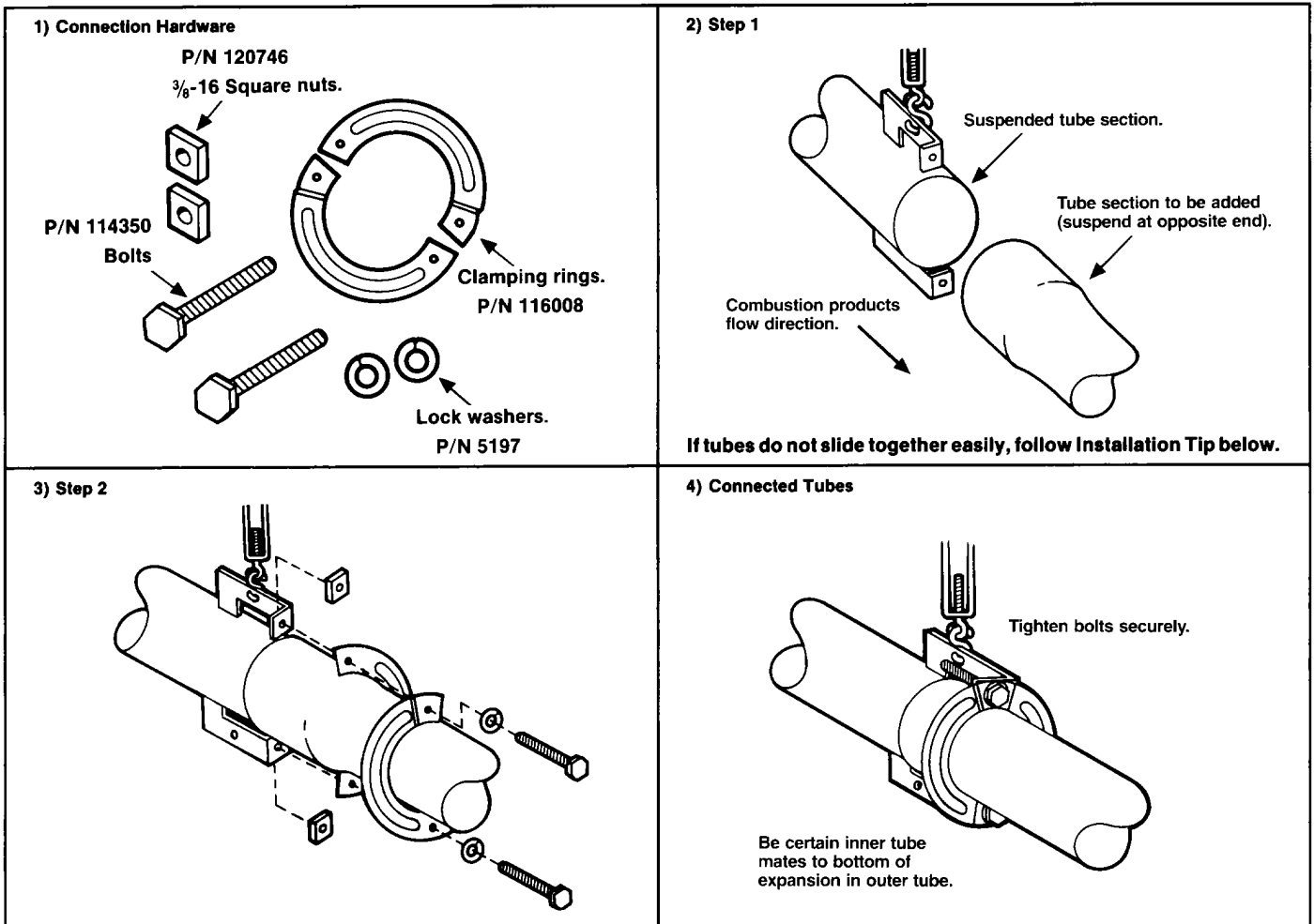


Installation Instructions

Connecting Tubes

Instructions

1. Verify components. Package should include all items illustrated plus one "S" hook. (**Package P/N 116017**)
2. Attach the "S" hook to the hanger bracket and suspend the tube. (Does not apply to an optional "L" tube; "L" heat exchanger tubes do not require a suspension point.)
3. Slide the expanded end of the tube over the already-installed tube. Follow illustrated Steps 1 and 2. Check connection and tighten bolts securely.



INSTALLATION TIP: If tubes are difficult to slide together, use the two 4-1/2" long bolts from the burner/control box parts bag to draw the tubes together. Follow illustrated Step 2, using the 4-1/2" bolts. Alternate tightening the upper and lower bolts. When the tubes are in position, remove one of the long bolts, replace with a connection bolt, and secure. Repeat, replacing the other bolt. Re-use the 4-1/2" bolts as needed.

MFG P/N 120349