

## Instructions for the Parts Bag in the Burner/Control Box Applies to Tubular Infrared Heaters

Parts Bag (P/N 120348) contains:				
Item	Qty	P/N	Description	Follow Instructions in:
1	1	116040	Combustion Air Inlet Cover	SECTION 1
2	4	11813	Screws, #10 x 1/2" long	
3	4	1035	Nuts, 5/16" - 18 Hex	SECTION 2
4	4	1333	Lockwashers, 5/16"	
5	1	116029	Gasket	
6	3	116034	"S" Hooks, 1/4"	SECTION 3
7	2	116022	Bolts, 3/8-16 x 4-1/2" long	

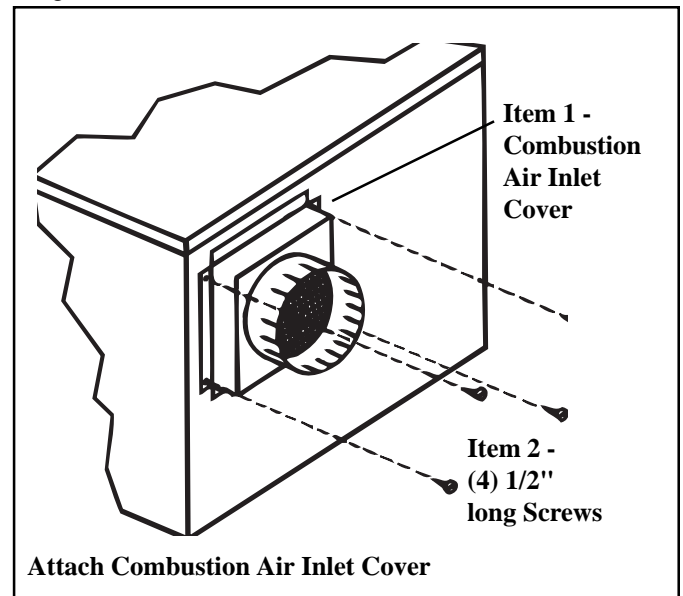
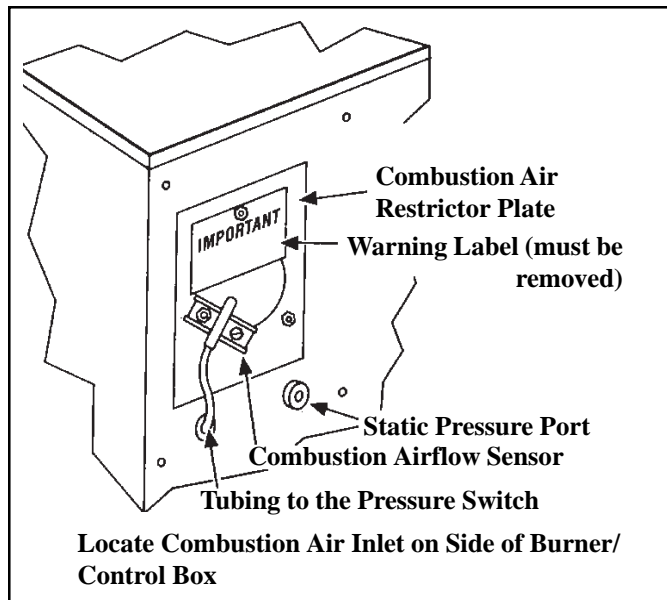
### SECTION 1 - Instructions for Attaching the Combustion Air Inlet Cover

Parts Required: Items 1 and 2 from the Parts Bag

**IMPORTANT:** The combustion air inlet cover must be installed for safe operation. If the heater requires a BTUH size conversion kit, install the kit before attaching the combustion air inlet cover.

#### Installation Instructions

1. Identify the combustion air inlet on the burner/control box. If there is a warning label covering the air inlet, remove and discard.
2. Using the four screws, attach the combustion air inlet cover as illustrated below. Be certain the cover is secured firmly against the burner/control box.



SECTIONS 2 AND 3 →

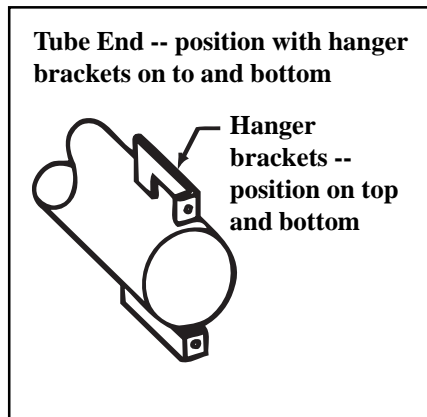
## SECTION 2 -- Instructions for Attaching Burner/Control Box and Combustion Chamber Tube

Parts Required: Items 3, 4 and 5 from the Parts Bag

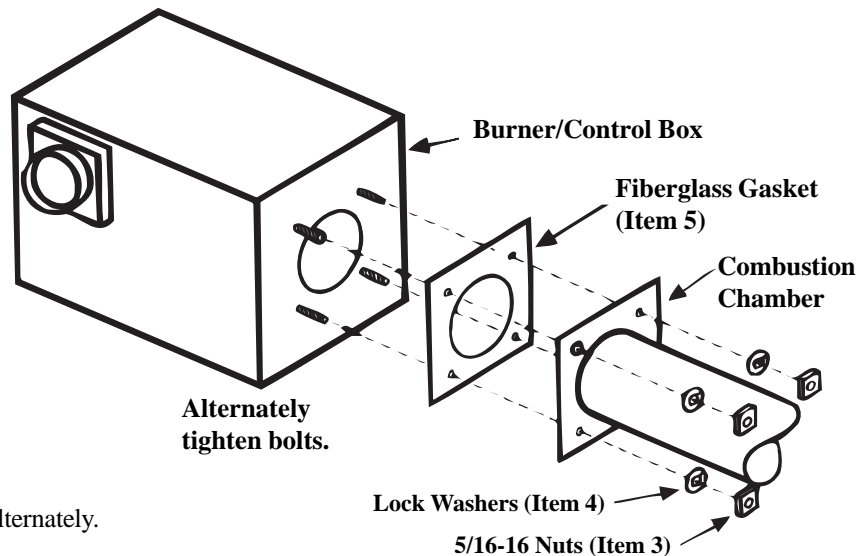
**IMPORTANT: To facilitate installation and suspension, attach burner/control box and combustion chamber tube prior to suspending.**

### Installation Instructions

1. Identify Combustion Chamber Tube
  - Square flange welded on one end
  - Two hanger brackets on the opposite end
2. Slide the gasket over the bolts on the end of the burner/control box.  
Turn tube so that one hanger is toward the top of the burner/control box.



Slide flange over bolts.  
Secure the lockwashers and nuts. Tighten alternately.



## SECTION 3 - Instructions for Using Parts Bag Item 6 and 7

### Item 6 - "S" Hooks

"S" Hooks will be used for suspension. Attach the burner box and the combustion chamber tube before suspending. Follow suspension instructions in the heater installation manual.

### Item 7 - 4-1/2" Draw Bolts

These bolts are provided to aid the installer when connecting tubes. Keep these bolts and follow tube connection instructions.

**Thomas & Betts**