

| | | | | | | | | | | | | | | | |
|----------------------------|--------|--------|--------|--------|--------|--------|--------|----------------------------|--------|--------|--------|---|---|---|---|
| CONTENTS | | | | | | | | | | | | | | | |
| A.G.A. Rating Plate | | | | | | | | C.G.A. Rating Plate | | | | | | | |
| □ | □ | □ | □ | □ | □ | □ | □ | □ | □ | □ | □ | □ | □ | □ | □ |
| 120091 | 120093 | 132470 | 132473 | 132483 | 132486 | 132489 | 132492 | 120097 | 120099 | 132476 | 132480 | | | | |

INSTALLATION INSTRUCTIONS

Burner/Control Box BTUH Size Conversion Kit

APPLIES TO BTUH SIZE 150,000 ONLY

Description: This burner/control box was factory-assembled as a BTUH input Size 125,000. Use the parts in this kit to field-convert to a BTUH Input Size 150,000. Verify that the kit matches the rating plate on the heater and the type of gas.

Conversion Kit P/N's and Components for Size 150 by Rating Plate, Elevation, and Type of Gas:

| Rating Plate → | A.G.A. | | | | | | | | | | | | C.G.A. | | | | | | | | | | | |
|---|-----------|-------------|---------|---------------|--------------|-------------|---------|---------------|--------------|-------------|---------|-----------------|--------------|-------------|---------|---------------|-----------|-------------|--------------|---------------|--------|-------------|--------|---------------|
| | 0-2000 Ft | | | | 2001-4000 Ft | | | | 4001-6000 Ft | | | | 6001-8000 Ft | | | | 0-2000 Ft | | 2001-4500 Ft | | | | | |
| Elevation → | Natural | | Propane | | Natural | | Propane | | Natural | | Propane | | Natural | | Propane | | Natural | | Propane | | | | | |
| Type of Gas → | 120091 | | 120093 | | 132470 | | 132473 | | 132483 | | 132486 | | 132489 | | 132492 | | 120097 | | 120099 | | 132476 | | 132480 | |
| Kit P/N → | 120091 | | 120093 | | 132470 | | 132473 | | 132483 | | 132486 | | 132489 | | 132492 | | 120097 | | 120099 | | 132476 | | 132480 | |
| Description | Qty | P/N | Qty | P/N | Qty | P/N | Qty | P/N | Qty | P/N | Qty | P/N | Qty | P/N | Qty | P/N | Qty | P/N | Qty | P/N | Qty | P/N | Qty | P/N |
| Burner Orifice Orifice Size | 1 | 120165 D | 1 | 120149 #27 | 1 | 120166 E | 1 | 120150 #26 | 1 | 120167 F | 1 | 120151 3.8MM | 1 | 120168 G | 1 | 120152 #23 | 1 | 120185 D | 1 | 120149 #27 | 1 | 120166 E | 1 | 120150 #26 |
| Combustion Air Restrictor Plate with Conversion Label | 1 | 120340 | 1 | 120342 | 1 | 132471 | 1 | 132474 | 1 | 132484 | 1 | 132487 | 1 | 132490 | 1 | 132493 | 1 | 120386 | 1 | 120388 | 1 | 132477 | 1 | 132481 |
| Conversion Label for Burner/Control Box - English | 1 | 120024 | 1 | 120095 | 1 | 132472 | 1 | 132475 | 1 | 132485 | 1 | 132488 | 1 | 132491 | 1 | 132494 | 1 | 133240 | 1 | 133241 | 1 | 132515 | 1 | 132516 |
| Conversion Label - French | | -- | | -- | | -- | | -- | | -- | | -- | | -- | | -- | 1 | 120101 | 1 | 120103 | 1 | 132479 | 1 | 132482 |

WARNING: This conversion kit is to be installed by a qualified agency in accordance with the manufacturer's instructions and all applicable codes and requirements of the authorities having jurisdiction. Failure to follow instructions could result in serious injury or property damage. The qualified agency performing this work assumes responsibility for this conversion.

Installation Instructions

1. Fill-in Field Conversion Labels

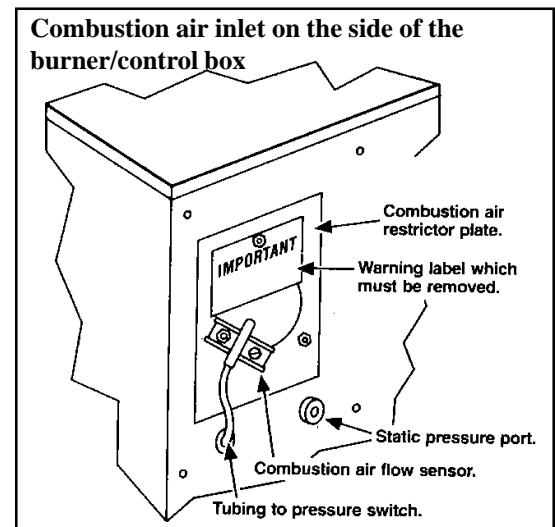
Open the plastic bag containing the conversion components. Remove the new combustion air restrictor plate with the conversion label and the loose conversion label (Models with a C.G.A. rating plate have two loose labels -- one English and one French).

Complete the conversion information on all labels.

Portion of a Conversion Label for a BTUH Size 150,000 indicating where to "fill in the blanks"

THIS APPLIANCE HAS BEEN CONVERTED AT THE TIME OF INSTALLATION TO A BTUH SIZE 150,000 WITH KIT NO. (above) BY _____ (name of company and individual) WHO ACCEPTS RESPONSIBILITY FOR THE CORRECTNESS OF THIS CONVERSION.

2. Identify the Combustion Air Inlet on the Burner/Control Box

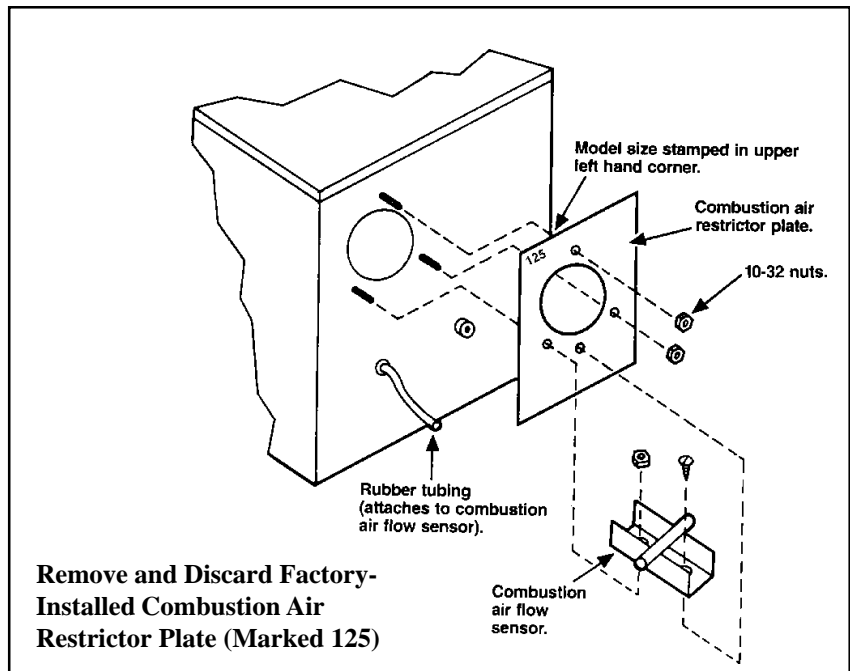


Installation Instructions (cont'd)

3. Install New Combustion Air Restrictor Plate (refer to the illustration) →

Remove hardware (2 screws, 3 nuts) holding combustion air flow sensor bracket and combustion air restrictor plate. Remove and DISCARD combustion air restrictor plate.

From the conversion kit, attach the combustion air restrictor plate with the conversion label (marked 150). Re-attach combustion air flow sensor bracket.



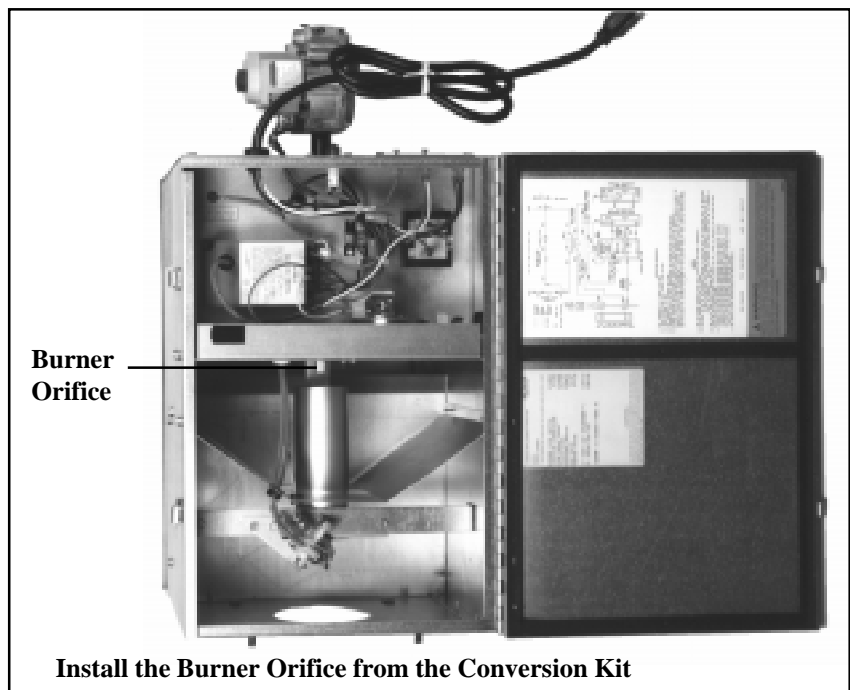
4. Install Burner Orifice

Open bottom access panel →

Using a 9/16" open end wrench, remove and DISCARD the factory-installed burner orifice.

Install the orifice from the conversion kit. Be certain the orifice is fully tightened.

Close the access panel.



5. Identify location(s) for adhering Model Size Conversion label(s)

C.G.A. only - Two labels (one in English; one in French)

Be sure surface is clean and dry. Adhere label(s).

