

Ignition Control Module Replacement Kit, P/N 178436

Applies to Model CAUA manufactured prior to 8/00 (Serial No. Code AZH)

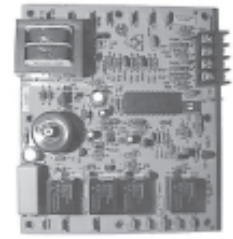
Description/Application

If a Model CAUA heater was manufactured prior to 8/00 (Serial No. Date Code AZH), it is equipped with a direct spark ignition control module, P/N 164326, RAM Model #3MC4-04.

If that control module needs to be replaced, the replacement module is P/N 178453, RAM Model #3MC4-06. The size of the "Line VAC" terminal on the replacement module requires a replacement wire assembly. Follow the instructions to install and wire the replacement ignition control module.

Figure 1 - P/N 178436 Replacement Kit Components

Code	Qty	P/N	Description
1	1	178453	Ignition Control Module, RAM Model 3MC4-06
2	1	178434	Black Wire Assy, 18 gauge 105°C x 10" long with two terminals
3	1	178435	Installation Instructions, Form RGM CP46



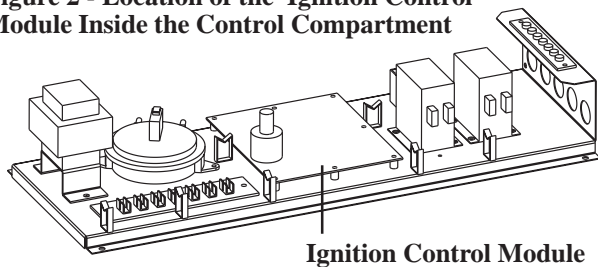
WARNING: Improper installation, adjustment, alteration, service or maintenance can cause property damage, injury, or death. Read the installation, operation, and maintenance instructions thoroughly before installing or servicing this equipment.

DANGER: This replacement ignition control module is to be installed by a qualified agency in accordance with these instructions and in compliance with all codes and requirements of authorities having jurisdiction. Failure to follow instructions could result in death, serious injury and/or property damage. The qualified agency performing this work assumes responsibility for this installation.

Installation Instructions

1. Turn off gas and electrical supply to the heater.
2. Open the control compartment and locate the ignition control module (See Figures 1 and 2).

Figure 2 - Location of the Ignition Control Module Inside the Control Compartment

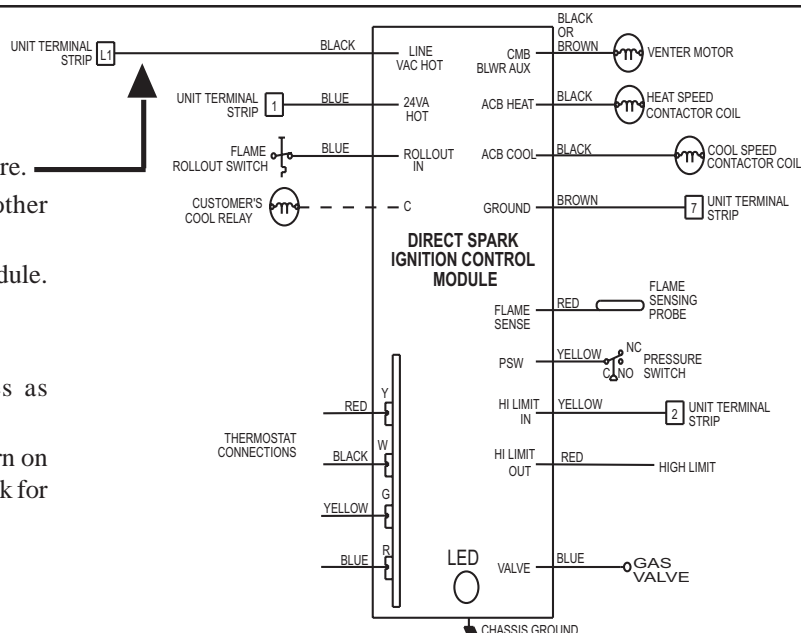


3. Remove One Wire and the Ignition Control Module
 - a) On the module, find the terminal marked "Line VAC Hot". Remove the black wire connecting this terminal to the L1 terminal on the unit terminal strip. Discard the wire.
 - a) Mark and disconnect all other wires from the control module.
 - b) Remove the control module. Save the screws; discard the module.
4. Install the Replacement Ignition Control Module
 - a) Using the same screws, attach the new ignition control module.
 - b) Using the black wire assembly from the kit, connect it to the "Line VAC Hot" terminal and the L1 terminal on the unit terminal strip.
 - c) Reconnect all other wires as marked.
5. Close the compartment. Turn on electric and gas supply to the heater.
6. Check the heater for safety; ensure that it is operating according to the procedures on the lighting instruction plate.

Summary:

- 1) Turn off the gas and power.
- 2) Remove and discard this wire.
- 3) Mark and disconnect all other wires from the module.
- 4) Remove and discard the module.
- 5) Attach new module.
- 6) Connect new black wire.
- 7) Reconnect all other wires as marked.
- 8) Close the compartment. Turn on the electric and the gas. Check for proper operation.

Figure 3 - Wiring Connections to the Ignition Control Module



FOR YOUR SAFETY

If you smell gas:

1. Do not try to light any appliance
2. Do not touch any electrical switch; do not use any phone in your building.
3. Immediately call your gas supplier from a neighbor's phone. Follow the gas supplier's instructions.
4. If you cannot reach your gas supplier, call your fire department.

Do not store or use gasoline or other flammable vapors and liquids in the vicinity of this or any other appliance.

DANGER: The gas burner in Reznor gas-fired equipment is designed and equipped to provide safe and economically controlled complete combustion. However, if the installation does not permit the burner to receive the proper supply of combustion air, complete combustion may not occur. The result is incomplete combustion which produces carbon monoxide, a poisonous gas that can cause death. Safe operation of indirect-fired gas burning equipment requires a properly operating vent system which vents all flue products to the outside atmosphere. FAILURE TO PROVIDE PROPER VENTING WILL RESULT IN A HEALTH HAZARD WHICH COULD CAUSE SERIOUS PERSONAL INJURY OR DEATH.

Always comply with the combustion air requirements in the installation codes and instructions. Combustion air at the burner should be regulated only by manufacturer-provided equipment. NEVER RESTRICT OR OTHERWISE ALTER THE SUPPLY OF COMBUSTION AIR TO ANY HEATER. Indoor units installed in a confined space must be supplied with air for combustion as required by Code and in the heater installation manual. MAINTAIN THE VENT SYSTEM IN STRUCTURALLY SOUND AND PROPERLY OPERATING CONDITION.

Thomas & Betts

©2000 Thomas & Betts Corporation, All rights reserved.

Printed in the U.S.A.

1-(800) 695-1901

MANUFACTURER OF GAS, OIL, ELECTRIC HEATING AND VENTILATING SYSTEMS

Trademark Note: Reznor® is registered in the United States and other countries.

8/00 YL Form CP-46