

# Installation Instructions

## Replacement Reflector Retainer and Bracket Kits

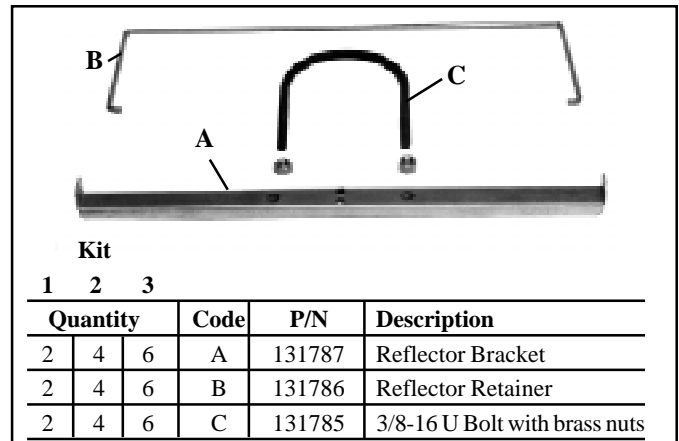
### Applies to Tubular Infrared Heaters

#### Description/Application

As of 11/94, tubular infrared heaters are being manufactured with a reflector bracket that includes a retainer. (The original snap-on type reflector brackets are no longer available.) These kits are designed to provide all of the necessary components to field install the new reflector bracket with retainer as a replacement on an already installed heater.

There are three "sizes" of kits available:

Kit	P/N	Description
1	136128	Reflector Hardware Kit for <u>One</u> Tube
2	136129	Reflector Hardware Kit for <u>Two</u> Tubes
3	136130	Reflector hardware Kit for <u>Three</u> Tubes



**DANGER: Service work on this heater should be done by a qualified gas service person. Installation and service must be done in compliance with all codes and requirements of authorities having jurisdiction. Improper installation, adjustment, alteration, service, or maintenance can cause property damage, personal injury, or death. The qualified agency performing this service assumes responsibility for this installation.**

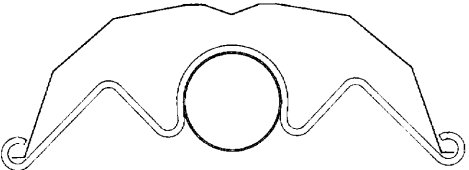
**NOTE:** These instructions are written for replacing the reflector(s) on an already-installed heater. If installing brackets on more than one tube, determine the total number of replacement brackets required. Repeat instructions for each tube.

#### Installation Instructions

1. Turn off the gas and the electric. Wait for the system to cool.
2. Remove the existing reflector brackets. The heater could be equipped with the reflector brackets illustrated in Figure 1A, 1B, or 1C. Determine which illustration matches the unit and follow the appropriate instructions.

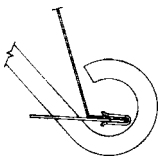
(Note: If the heater is equipped with an optional side shield, remove the side shield pieces before removing the brackets.)

**Figure 1A - Snap-on Reflector Bracket only**



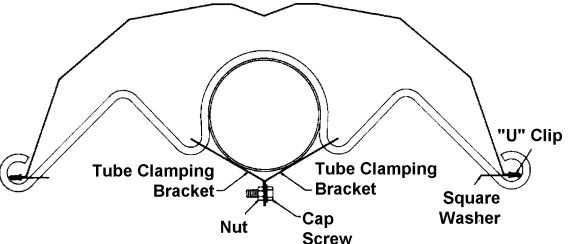
- 1) Lift the reflector out of the bracket.
- 2) Remove the bracket from the tube.

**Figure 1B - Snap-on Reflector Bracket Fastened to the Reflector with "U" Clips**



- 1) Remove the "U" clip.
- 2) Remove the washer.
- 3) Repeat at all bracket ends.
- 4) Lift the reflector from the bracket.
- 5) Remove the brackets from the tube.

**Figure 1C - Snap-on Reflector Bracket Fastened to the Reflector with "U" Clips and Clamped to the Tube**

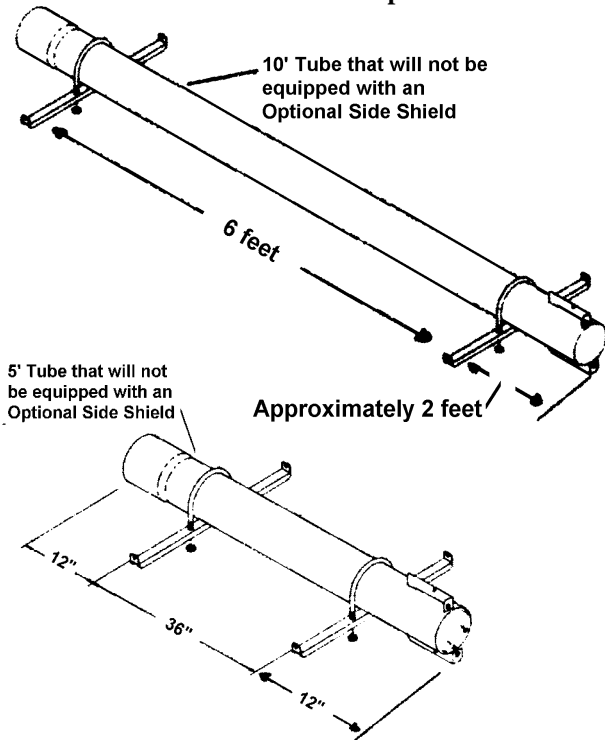


- 1) Remove the cap screws.
- 2) Remove the "U" clips and washers from the brackets (See Figure 1B).
- 3) Lift the reflector from the brackets.
- 4) Remove the brackets from the tube.

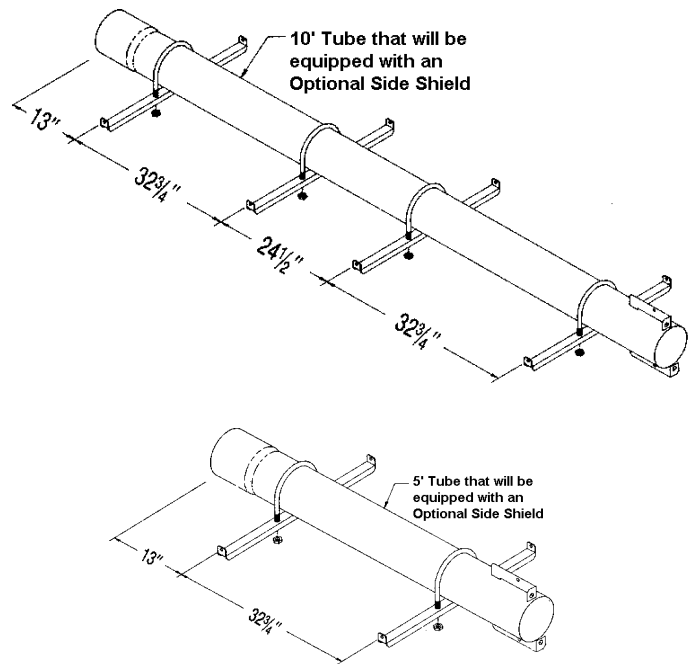
3. Install the replacement bracket.
  - a) Refer to Figures 2 and 3 (page 2) and determine the bracket locations.
  - b) At the selected location, slide the "U" bolt over the tube.
  - c) Position the reflector bracket as illustrated (end flanges extending upward) and slide the bracket over the bolt ends. Adjust the bracket to the desired reflector angle (0-45°). Use the nuts to attach the reflector bracket to the "U" tube.

## Instructions (cont'd)

**Figure 2 - Bracket Locations for Tubes *without* an Optional Side Shield**

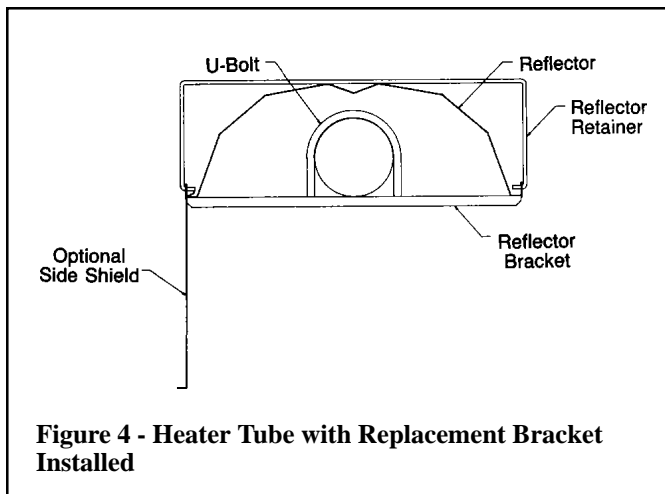


**Figure 3 - Bracket Locations for Tubes *with* an Optional Side Shield**



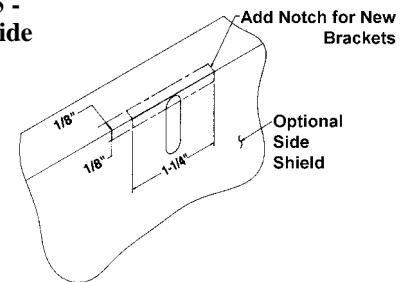
### 4. Install the reflector and reflector retainer.

- a) Nestle the reflector inside the flanged edges of the reflector brackets (See Figure 4.)



- b) **Installation with Optional Side Shield** - The side shield sections are designed to "hang on" the ends of the reflector brackets. Using tin snips, notch the holes to accommodate the new brackets (See Figure 5). Hang the modular side shield section. (Maximum reflector angle with side shield is 30°.)

**Figure 5 - Notch Side Shield**



- c) At each bracket, position a wire retainer over the reflector and hook the ends through the holes in the reflector bracket.

When the installation of the reflectors with brackets and retainers is complete, re-connect the electric power and the gas. Check for proper heater operation. **CHECK ALL SAFETY FEATURES.**

# Thomas & Betts