

REZTOR**MODEL XE****INDOOR, GAS-FIRED, GRAVITY-VENTED
PACKAGED DUCT FURNACE/BLOWER UNIT
FOR COMMERCIAL/INDUSTRIAL USE**

**ANSI Z21.8
CGA 2.6
AGA 14-94**

DESCRIPTION

Reznor® XE Series units are 80% thermal efficient, gravity vented, gas-fired, forced air furnaces, designed for installation indoors and used with recirculating and/or makeup air warm air duct systems. The XE unit uses either natural or propane gas, as specified, in sizes from 75,000 through 400,000 BTUH input. The furnace has an aluminized steel heat exchanger with a venturi-design tube. The die-formed burners are of aluminized steel and include flared ports and a stainless steel burner insert.

Standard features on Model XE include a manual match-lit pilot and single-stage, 24-volt gas valve. The XE is arranged for field connection to a remote 24-volt thermostat for automatic operation. Each unit is furnished with a fan control and all required limit and safety controls, including an energy cut-off (ECO) device and a blocked vent shutoff system.

Model XE unit uses a centrifugal blower with a blower cabinet and an open horizontal inlet as standard. This series has been engineered to allow various combinations of inlets, dampers, and makeup air controls to meet a wide variety of makeup air and heating requirements. A wide selection of gas control options are available to complement the air controls.

Both the duct furnace and the packaged system are design-certified by the Canadian Standards Association for installation in the U.S. and Canada.

STANDARD FEATURES

- Orifices for natural gas
- Aluminized steel heat exchanger (see note 2)
- Aluminized steel burners with stainless steel insert
- 120-volt supply voltage
- Motor contactor
- 24-volt control transformer

NOTES:

- 1 Regulated combination redundant gas valve consists of combination pilot solenoid valve, electric gas valve, pilot filter, pressure regulator, pilot shutoff, and manual shutoff, all in one body. Gas supply pressure must not exceed 0.5 PSI (8 oz. - 14" W.C.). Minimum inlet pressure for natural gas is 5" W.C. Minimum inlet pressure for propane gas is 11" W.C.
- 2 For air inlet temperatures below 40°F or temperature rise less than 40°F, optional stainless steel heat exchanger is recommended.
- 3 Not certified for residential use.

- Single-stage combination gas valve (see note 1)
- Manual match-lit pilot
- Energy-cut-off (ECO) device
- Manual match-lit pilot
- Blocked vent shut-off system
- Threaded suspension couplings (4 - 1" IPS)
- Adjustable belt drive
- High limit safety cut-off
- Fan control
- Terminal block wiring
- Left side controls (facing the air stream)
- Horizontal discharge air opening with duct flange
- Blower cabinet (less optional filter rack and filters) with horizontal inlet-air opening (without duct flange)

OPTIONAL FEATURES - FACTORY INSTALLED

- Unit equipped for propane gas
- E-3 (409) stainless steel heat exchanger
- 321 stainless steel heat exchanger
- E-3 (409) stainless steel burners
- E-3 (409) stainless steel drip pan
- Intermittent spark safety pilot with flame supervision
- Intermittent spark safety pilot with flame supervision and timed lockout
- 1/4 HP through 5 HP open drip-proof motors
- 1/4 HP through 3 HP totally enclosed blower motor
- 230/1, 208/3, 230/3, 460/3, 575/3 alternate supply voltages
- 208/1 supply voltage up through 1-1/2 HP
- Motor starter (3Ø)
- Burner air shutters (required for units equipped for propane gas)
- Two-stage gas control (unit-mounted or remote temperature selector)
- Electronic modulation, 50%-100% turndown
- Mechanical modulation
- Makeup air controls/dampers
- 1/2" O.D. BX cable (Chicago code)
- Expanded metal safety screen for inlet air opening
- Firestat(s)
- Freezestat
- Manual summer/winter switch
- Blower cabinet insulation
- Filter rack with disposable, pleated or permanent filters (1 or 2 inch)
- Louver frame with horizontal inlet w/duct flange
- Summer/winter relay (thermostat with fan switch shipped separately)
- Vertical louvers (requires louver frame)
- Right side controls (facing airstream)
- Special manifold arrangement to comply with Illinois school code

OPTIONAL FEATURES - FIELD INSTALLED

- Condensate drain flange kit
- Power venter
- Disconnect switch - UL Listed
- Single-stage thermostat
- Two-stage thermostat
- Electronic 7-day programmable thermostat
- Thermostat guard with locking cover
- Remote control console

MODEL XE

INDOOR, GAS-FIRED, GRAVITY-VENTED PACKAGED DUCT FURNACE/BLOWER UNIT FOR COMMERCIAL/INDUSTRIAL USE

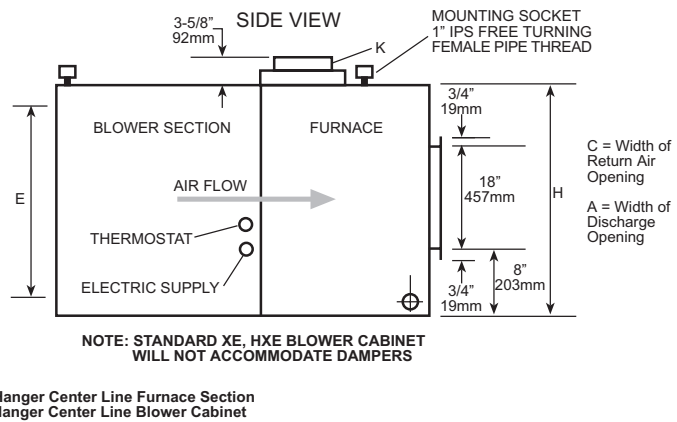
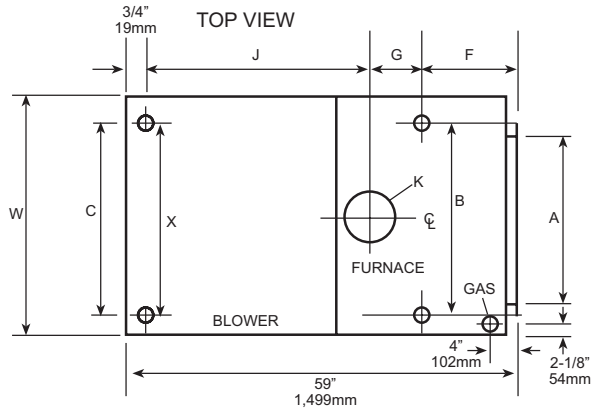
TECHNICAL DATA

COMMERCIAL/INDUSTRIAL USE

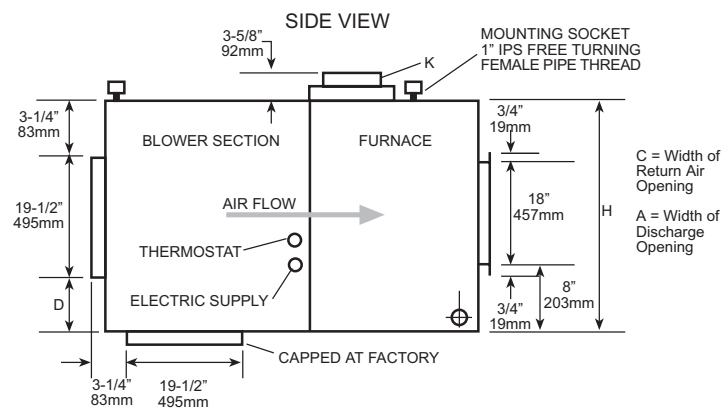
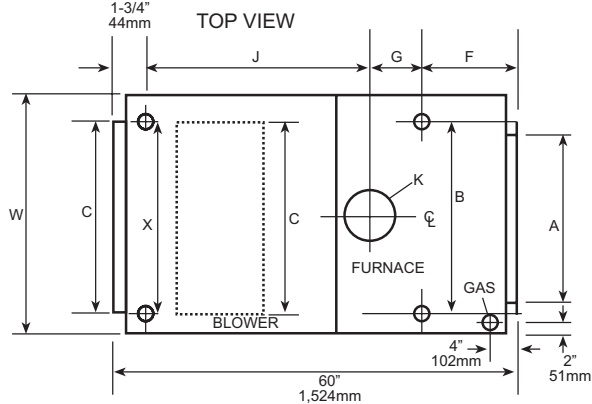
MODEL NUMBER		75	100	125	150	175	200	225	250	300	350	400
Heating Input	BTUH	75,000	100,000	125,000	150,000	175,000	200,000	225,000	250,000	300,000	350,000	400,000
	kW	22.0	29.3	36.6	44.0	51.3	58.6	65.9	73.3	87.9	102.6	117.2
Thermal Output Capacity (80%) ^A	BTUH	60,000	80,000	100,000	120,000	140,000	160,000	180,000	200,000	240,000	280,000	320,000
	kW	17.6	23.4	29.3	35.2	41.0	46.9	52.8	58.6	70.3	82.1	93.8
Unit Amps (Less Motor) 120V		0.33	0.33	0.33	0.33	0.33	0.33	0.33	0.33	0.33	0.33	0.33
Control Amps (24V)		0.33	0.33	0.33	0.33	0.33	0.33	0.33	0.33	0.20	0.20	0.20
Air Volume - XE	CFM	615-740	920-985	1,025-1,230	1,230-1,480	1,440-1,725	1,645-1,975	1,850-2,220	2,055-2,465	2,465-2,960	2,880-3,455	3,290-3,950
	m ³ /hr	1,045-1,257	1,563-1,673	1,741-2,090	2,090-2,514	2,446-2,931	2,795-3,355	3,143-3,772	3,491-4,188	4,188-5,029	4,893-5,870	5,590-6,711
Air Volume - HXE ^B	CFM	740-2,650	985-3,400	1,230-3,800	1,480-4,500	1,725-4,500	1,975-4,500	2,220-4,500	2,465-5,500	2,960-5,500	3,455-6,000	3,950-6,500
	m ³ /hr	1,257-4,502	1,673-5,776	2,090-6,456	2,514-7,645	2,931-7,645	3,355-7,645	3,772-7,645	4,188-9,344	5,029-9,344	5,870-10,194	6,711-11,043
Approx. Net Weight	lbs.	233	233	295	332	332	386	386	494	494	515	576
	kg	106	106	134	151	151	175	175	224	224	234	261
Approx. Ship Weight	lbs.	280	280	346	407	412	468	468	594	594	645	716
	kg	127	127	157	185	187	212	212	269	269	293	325
Gas Connection (Natural) ^C		1/2"	1/2"	1/2"	1/2"	1/2"	1/2"	1/2"	1/2"	3/4"	3/4"	3/4"
Filter Size (Filters Optional)		(2)20x20	(2)20x20	(2)20x20	(2)20x25	(2)20x25	(2)16x20 (2)16x25	(2)16x20 (2)16x25	(2)20x20 (2)20x25	(2)20x20 (2)20x25	(1)20x20 (3)20x25	(2)16x25 (2)20x25

^A In the U.S. ratings are for altitudes to 2,000 feet. Above 2,000 feet derate by orifice change, 4% for each 1,000 feet above sea level. In Canada ratings are for altitudes to 2,000 feet. For high altitude units (2,001-4,500 ft.) derate by 10% of maximum input.

^B Prefix "H" indicates a high CFM units without directional "finger" baffles.
^C Gas connection for propane is 1/2" for all sizes. Sizes shown are for gas connection to single-stage gas valve, NOT gas supply line size.



XE, HXE OPTIONAL BLOWER CABINET WITH OPTIONAL DUCT FLANGE AND DAMPER OPENINGS



CLEARANCE FROM COMBUSTIBLES

- Furnace Bottom - 3"
- Control Side - width of unit plus 6"
- Top, flue, side opposite controls - 6"

NOTES:

- Model 75 and 100 furnace modules are 2-3/4" narrower than blower cabinet.
- Burner and control access shown left side (facing airstream). Specify right side for opposite access and connections (Option AJ2).

DIMENSIONS

(+ or - 1/8" or 3mm)

SIZE	A		B		C		D		E		F		G		H		J		K		W		X	
	in.	mm	in.	mm	in.	mm	in.	mm	in.	mm	in.	mm	in.	mm	in.	mm	in.	mm	in.	mm	in.	mm	in.	mm
75	12 1/2	318	13 1/2	343	17 3/8	441	9 1/2	241	27 3/4	705	18	457	3 3/4	95	32 1/4	819	36 1/2	927	5" Rd.	125 Rd.	22	559	16 1/4	413
100	12 1/2	318	13 1/2	343	17 3/8	441	9 1/2	241	27 3/4	705	18	457	3 3/4	95	32 1/4	819	36 1/2	927	6" Rd.	150 Rd.	22	559	16 1/4	413
125	15 1/4	387	16 1/4	413	17 3/8	441	9 1/2	241	27 3/4	705	18	457	3 3/4	95	32 1/4	819	36 1/2	927	7" Ov.	175 Ov.	22	559	16 1/4	413
150, 175	20 3/4	527	21 3/4	552	23	584	9 1/2	241	27 3/4	705	19 3/8	492	2 3/8	60	32 1/4	819	36 1/2	927	8" Ov.	200 Ov.	27 1/2	699	21 3/4	552
200, 225	26 1/4	667	27 1/4	692	28 3/8	721	12 1/2	318	30 3/4	781	18	457	2 1/4	57	35 1/4	895	38	965	8" Rd.	200 Rd.	33	838	27 1/4	692
250, 300	34 1/2	876	35 1/2	902	36 5/8	930	12 1/2	318	30 3/4	781	18	457	2 1/4	57	35 1/4	895	38	965	10" Ov.	255 Ov.	41 1/4	1,048	35 1/2	902
350	40	1,016	43	1,092	42 1/8	1,070	12 1/2	318	30 3/4	781	19 3/8	492	7/8	22	35 1/4	895	38	965	12" Ov.	305 Ov.	46 3/4	1,187	41	1,041
400	45 1/2	1,156	46 1/2	1,181	47 5/8	1,210	12 1/2	318	30 3/4	781	18	457	2 1/4	57	35 1/4	895	38	965	12" Ov.	305 Ov.	52 1/4	1,327	46 1/2	1,181