

RETURN AIR FILTER CABINET For Model CAUA

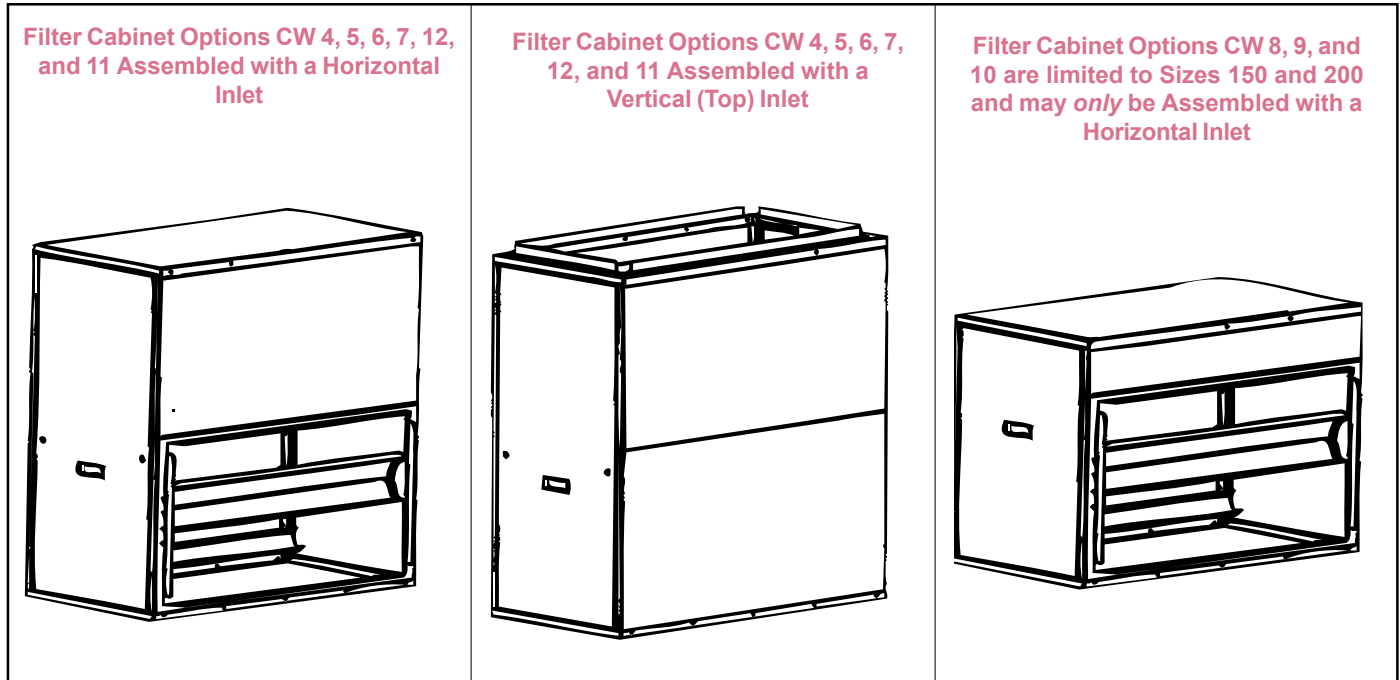


Description

Return air filter cabinets for Reznor® Model CAUA packaged heating systems are shipped separately for field assembly and installation. Illustrated step-by-step assembly instructions are included. Cabinets are available with 2" permanent filters, 2" pleated filters, or with a filter rack for field-supplied 2" permanent or 2" pleated filters.

The cabinet in Options CW 4, 5, and 6 attaches to the heater on the right or left side. The cabinet in Options CW 7, 12, and 11 attaches to the rear of the heater. The cabinet in Options CW 8, 9, and 10 is smaller and attaches to either the right side, the left side, or rear of the heater.

The larger cabinets (Options CW 4, 5, 6, 7, 12, 11) are uniquely designed so that the one package can be field assembled with the air inlet duct opening on either the top (vertical inlet) or on the rear (horizontal inlet). Options CW 8, 9 and 10 are limited to CAUA Sizes 150 and 200 and may be assembled with a horizontal inlet only. All cabinets have a filter access door panel which may be installed on either end.



Model CAUA Applications ("X" = available; "--" = not available or not for use at specified air volume)

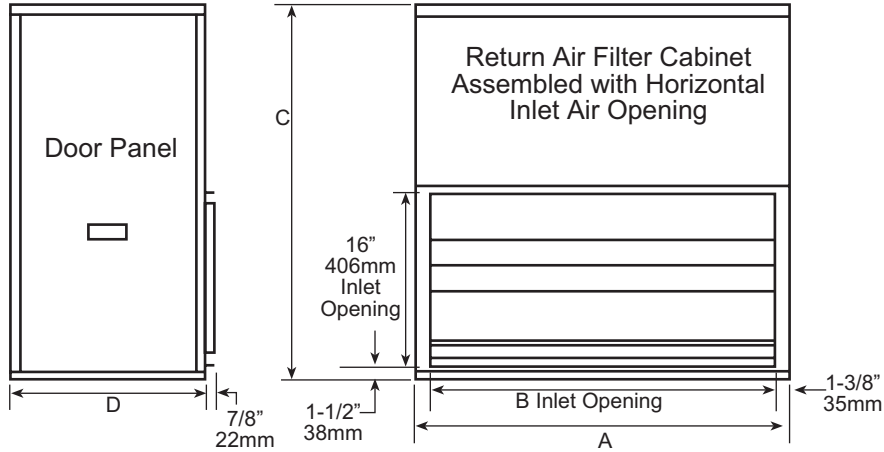
Type of 2" Filters Included	Option Code	Filter Cabinet Description	Air Volume CFM m³/hr	CAUA Size															
				150			200			250			300			350			400
Permanent	CW4	Filter cabinet attaches to the right or left side of the heater	1,800	2,400	3,000	2,400	3,000	3,000	4,000	5,000	3,000	4,000	5,000	4,300	5,000	6,000	4,300	5,000	6,000
No Filters	CW5		3,058	4,077	5,097	4,077	5,097	5,097	6,796	8,495	5,097	6,796	8,495	7,305	8,495	10,194	7,305	8,495	10,194
	CW6		X	X	X	X	X	X	X	X	X	X	X	X	X	X	X	X	X
Permanent	CW7	Filter cabinet attaches to the rear of the heater	X	X	X	X	X	X	X	X	X	X	X	X	X	--	X	X	--
No Filters	CW12		X	X	X	X	X	X	X	X	X	X	X	X	X	X	X	X	X
	CW11		X	X	X	X	X	X	X	X	X	X	X	X	X	X	X	X	X
Permanent	CW8	Filter cabinet attaches on either side or the rear of size 150/200	X	X	--	X	--	--	--	--	--	--	--	--	--	--	--	--	--
No Filters	CW9		X	X	X	X	X	--	--	--	--	--	--	--	--	--	--	--	--
	CW10		X	X	X	X	X	--	--	--	--	--	--	--	--	--	--	--	--

* For these Size/Air Volume combinations, do not install one cabinet on the side of the heater. Two Option CW4, CW5 or CW6 cabinets may be installed (one on each side) or select a CW7, CW12 or CW11 for rear installation.



Return Air Filter Cabinet Dimensions

Return Air Filter Cabinet Installed with a Horizontal Inlet - Applies to all options as listed



Dimensions (± 1/8" or ±3mm)

Size	Option CW	A		B		C		D	
		in.	mm	in.	mm	in.	mm	in.	mm
150/200	4, 5, 6, 7, 12, 11	34 3/4	883	32	813	34 3/4	883	18	457
	8, 9, 10	34 3/4	883	32	813	21 1/8	537	12 1/2	318
250/300	4, 5, 6	34 3/4	883	32	813	34 3/4	883	18	457
	7, 12, 11	47 3/4	1,213	45 1/8	1,146	34 3/4	883	18	457
350/400	4, 5, 6, 7, 12, 11	47 3/4	1,213	45 1/8	1,146	34 3/4	883	18	457

Return Air Filter Cabinet Installed with a Vertical Inlet - Applies to options as listed

Dimensions (± 1/8" or ±3mm)

Size	Opt CW	A		B	
		in.	mm	in.	mm
150/200	4, 5, 6, 7, 12, 11	34 3/4	883	32	813
250/300	4, 5, 6	34 3/4	883	32	813
	7, 12, 11	47 3/4	1,213	45 1/8	1,146
350/400	4, 5, 6, 7, 12, 11	47 3/4	1,213	45 1/8	1,146

