

OPTIONAL EQUIPMENT

Optional Roof Curb (Option CJ1)

Dimensions (inches)

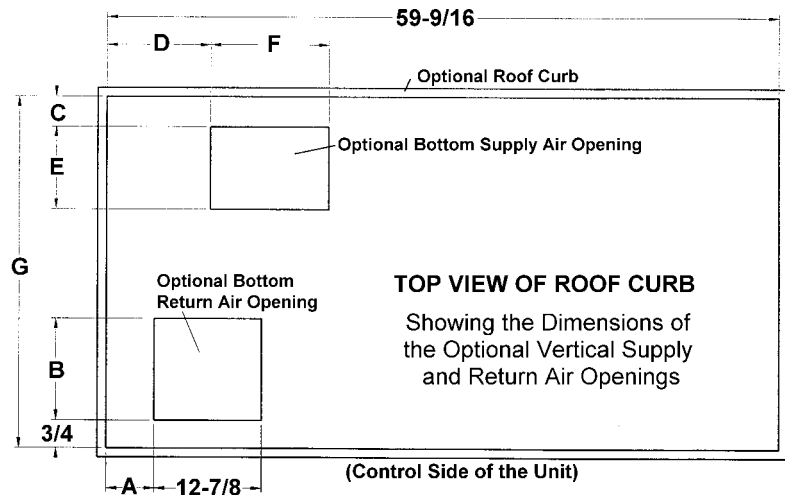
| Size | A | B | C | D |
|------|---------|--------|---------|--------|
| 3 | 63-5/16 | 39-1/2 | 59-9/16 | 35-3/4 |
| 4 | 63-5/16 | 45-1/2 | 59-9/16 | 41-3/4 |
| 5 | 63-5/16 | 57-1/2 | 59-9/16 | 53-3/4 |

Roof Curb

- Weatherized
- 16" Curb
- Shipped separate for field installation

Optional Vertical Supply and Return Air Kit (Option VK1)

Top View of Optional Roof Curb and Optional Bottom Duct Connections -
 The standard unit has horizontal return and supply air openings as shown in standard dimensions on page 3. Install a field conversion kit, Option VK1, to change either or both the return air opening and the supply air opening from horizontal to vertical (bottom). If a unit with bottom duct openings is installed on a roof, it is recommended that the unit be mounted on a full roof curb.



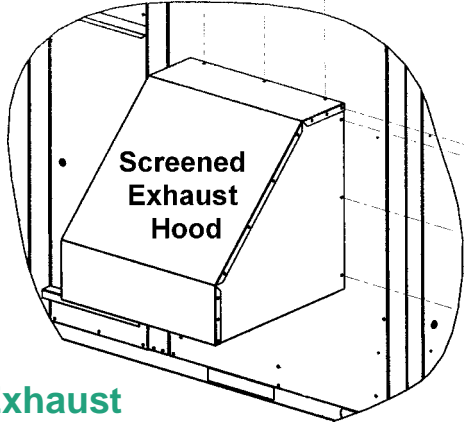
Dimensions (inches)

| | Model Size | | |
|---|------------|---------|---------|
| | 3 | 4 | 5 |
| A | 1-15/16 | 2-9/16 | 2-9/16 |
| B | 13-7/8 | 16-7/8 | 22-7/8 |
| C | 5/8 | 1-5/8 | 1-5/8 |
| D | 7-1/8 | 2-9/16 | 2-9/16 |
| E | 13-3/4 | 15-5/16 | 19-1/4 |
| F | 12-1/16 | 16-9/16 | 16-9/16 |
| G | 35-3/4 | 41-3/4 | 53-3/4 |

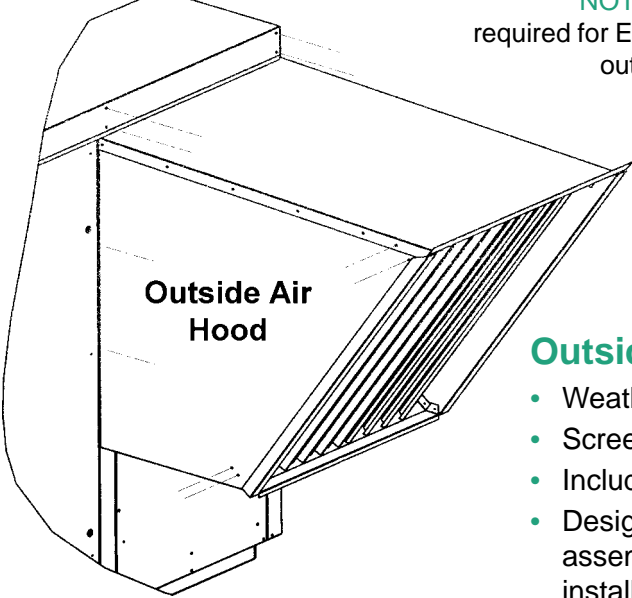
Supply and Return Air Opening Dimensions:

Optional Vertical Opening with Duct Flange —
 Supply Air Outlet - E x F; Return Air Inlet - B x 12-7/8
 Standard Horizontal — See Dimensions, page 3.

■ Optional Screened Outside Air Hood with Louvers and Screened Exhaust Hood (Option AS14)



Screened Exhaust Hood



Outside Air Hood

NOTE: Option AS14 is required for ETL certification on outdoor installations.

Exhaust Air Hood

- Weatherized
- Screened
- Designed for field assembly and installation

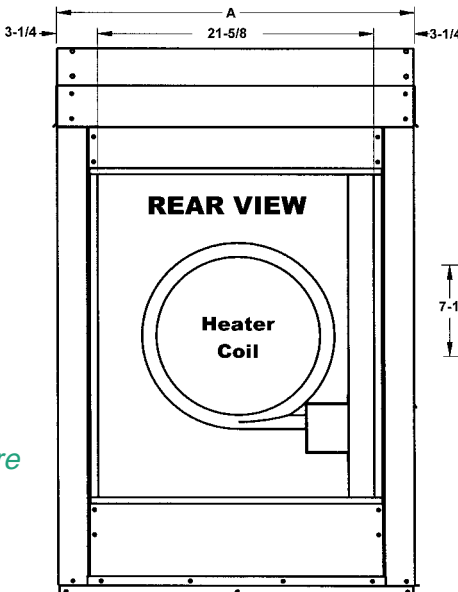
Outside Air Hood

- Weatherized
- Screened
- Includes Louvers
- Designed for field assembly and installation

■ Optional Electric Pre-Heater for Frost Prevention (Option PH)

| Pre-Heater Size/Voltage | ERSA | Option |
|-------------------------|---------|--------|
| 10KW-230V | 3, 4, 5 | PH1 |
| 20KW-230V | 3, 4, 5 | PH2 |
| 30KW-230V | 4, 5 | PH3 |
| 40KW-230V | 5 | PH4 |
| 10KW-460V | 3, 4, 5 | PH5 |
| 20KW-460V | 3, 4, 5 | PH6 |
| 30KW-460V | 4, 5 | PH7 |
| 40KW-460V | 5 | PH8 |

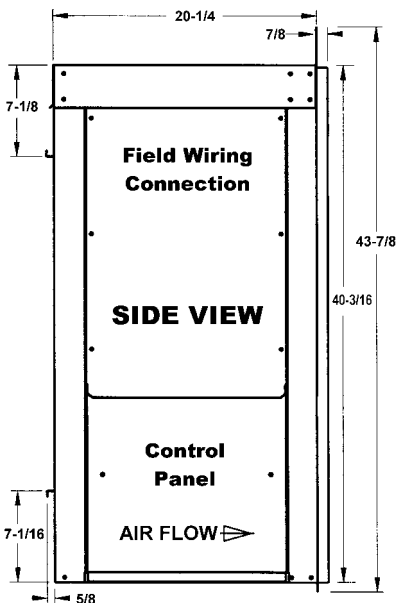
- Weatherized Cabinet
- Shipped Separately for field attachment to the ERSA unit *before* the Outside Air Hood (above)
- Requires Electrical Supply Connection (see note below)
- Adjustable Temperature Control



REAR VIEW

Heater Coil

| ERSA | A |
|------|----|
| 3 | 25 |
| 4 | 28 |
| 5 | 34 |



SIDE VIEW

Field Wiring Connection

Control Panel

AIR FLOW →

NOTES:

- The 230 volt electric heater can be operated with a 208 supply voltage at a 25% derating.
- The standard 30 amp disconnect switch that is included as part of the ERSA unit cannot be used for electrical service for the pre-heater. Either replace the factory-installed disconnect switch with a larger disconnect or install a switch to service only the pre-heater.