

EPW SERIES PACKAGED CIRCULATION HEATERS

APPLICATION

EPW Series packaged water heaters are designed for installation in circulating loops where space is limited.

The basic unit can be equipped with various control packages which will allow the heater to function:

- (a) as a commercial swimming pool heater, **or**
- (b) as a side arm domestic water heater or commercial dishwasher booster heater, **or**
- (c) as a commercial hot water furnace for comfort or process heating.



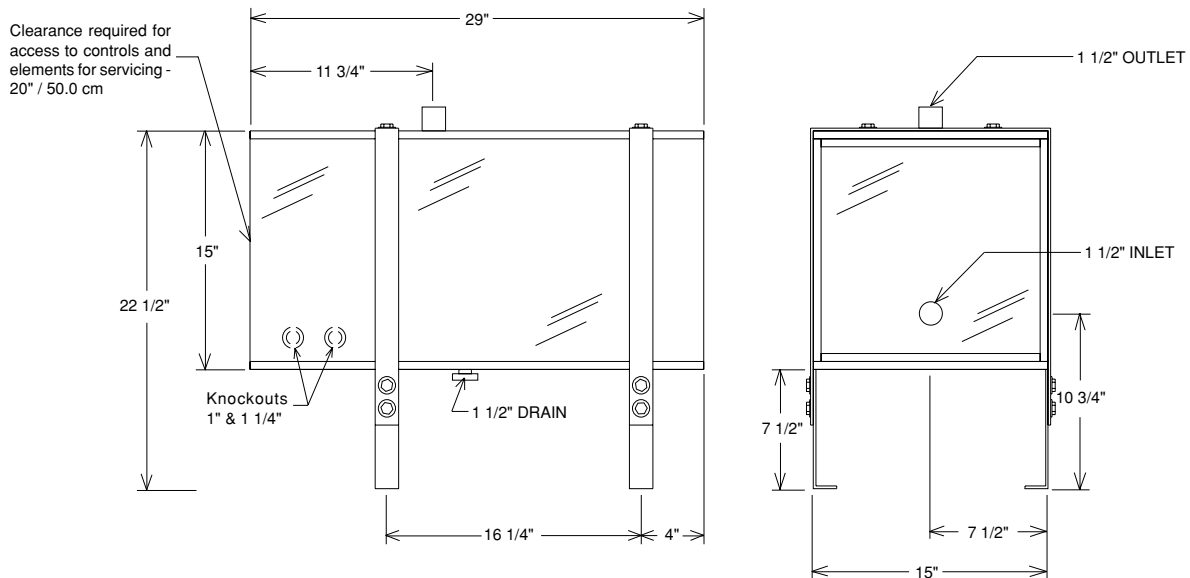
CONSTRUCTION

The unit features a 12" SCH. 20 galvanized steel shell designed to accept one or two heavy duty flange heaters having copper sheathed heating elements.

The shell is insulated and protected with a prepainted sheet metal casing. Standard control equipment is contained within the heater and control compartment at one end of the casing. A hinged inner panel allows convenient access to the heaters.

STANDARD EQUIPMENT

- Factory prewired
- Galvanized shell designed to the ASME code for pressure vessels
- 1 1/2" N.P.T. inlet and outlet
- 1 1/2" N.P.T. drain
- Flange heater(s) with heavy duty copper sheathed elements
- Insulated shell with painted sheet metal casing
- Mounting legs
- Magnetic contactor(s)
- Splitter block
- On-off switch



MODEL EPWP FOR COMMERCIAL POOL HEATING

Model EPWP when configured to specifically function as a pool heater has the following equipment in addition to the standard equipment listed on the previous page:

- 15 PSIG maximum pressure
- High limit control
- Thermostat with 2°C - 43°C (35°F - 110°F) temperature range (shipped loose)
- Control circuit transformer (when required) with 120V fused secondary

OPTIONAL EQUIPMENT

- Flow switch (must use when installed above pool water surface)
- Circulating pump and motor
- ASME registration

SIZE	KILOWATTS	STD. VOLTAGES				NET WT. KG (LBS.)
		208, 240		480, 600		
		1Ø	3Ø	1Ø	3Ø	
6	6	✓	✓	✓	✓	86 (189)
9	9	✓	✓	✓	✓	86 (189)
12	12	✓	✓	✓	✓	90 (198)
15	15	✓	✓	✓	✓	90 (198)
18	18	✓	✓	✓	✓	90 (198)
21	21	✓	✓	✓	✓	90 (198)
24	24	✓	✓	✓	✓	90 (198)
27	27	✓	✓	✓	✓	90 (198)
30	30	✓	✓	✓	✓	90 (198)
36	36	✓	✓	✓	✓	90 (198)
42	42	✓	✓	✓	✓	95 (209)
48	48	-	✓	✓	✓	95 (209)
54	54	-	✓	✓	✓	95 (209)
60	60	-	✓	✓	✓	95 (209)

MODEL EPWD FOR DOMESTIC WATER HEATING AND DISHWASHER BOOSTER HEATING

Model EPWD when configured to function as a domestic water or dishwasher booster heater has the following equipment in addition to the standard equipment listed on the previous page:

- 125 PSIG maximum pressure
- Pressure/temperature relief valve 125 PSIG / 210°F (99°C)
- Control circuit transformer (when required) with fused secondary
- Adjustable auto reset high limit 38°C - 116°C (100°F - 240°F)
- Built-in thermostat 38°C - 116°C (100°F - 240°F)

OPTIONAL EQUIPMENT (check factory)

- Flow switch
- Circulating pump and motor
- ASME registration

SIZE	KILOWATTS	STD. VOLTAGES				NET WT. KG (LBS.)
		208, 240		480, 600		
		1Ø	3Ø	1Ø	3Ø	
6	6	✓	✓	✓	✓	86 (189)
9	9	✓	✓	✓	✓	86 (189)
12	12	✓	✓	✓	✓	90 (198)
15	15	✓	✓	✓	✓	90 (198)
18	18	✓	✓	✓	✓	90 (198)
21	21	✓	✓	✓	✓	90 (198)
24	24	✓	✓	✓	✓	90 (198)
27	27	✓	✓	✓	✓	90 (198)
30	30	✓	✓	✓	✓	90 (198)
36	36	✓	✓	✓	✓	90 (198)
42	42	✓	✓	✓	✓	95 (209)
48	48	-	✓	✓	✓	95 (209)
54	54	-	✓	✓	✓	95 (209)
60	60	-	✓	✓	✓	95 (209)

MODEL EPWH FOR COMFORT HEATING OR PROCESS WATER HEATING

Model EPWH when configured to function as a hot water furnace for comfort heating or for process water heating has the following equipment in addition to the standard equipment listed on the previous page:

- 30 PSIG maximum pressure
- Pressure relief valve set at 30 PSIG
- Control circuit transformer with 120V fused secondary
- High limit control
- Built-in thermostat 38°C - 116°C (100°F - 240°F)
- Low voltage relay for 24V thermostat
- Pressure/temperature gauge

OPTIONAL EQUIPMENT (check factory)

- Flow switch
- Circulating pump and motor
- ASME registration
- Expansion tank
- Outdoor thermostat

SIZE	KILOWATTS	STD. VOLTAGES				NET WT. KG (LBS.)
		208, 240		480, 600		
		1Ø	3Ø	1Ø	3Ø	
6	6	✓	✓	✓	✓	86 (189)
9	9	✓	✓	✓	✓	86 (189)
12	12	✓	✓	✓	✓	90 (198)
15	15	✓	✓	✓	✓	90 (198)
18	18	✓	✓	✓	✓	90 (198)
21	21	✓	✓	✓	✓	90 (198)
24	24	✓	✓	✓	✓	90 (198)
27	27	✓	✓	✓	✓	90 (198)
30	30	✓	✓	✓	✓	90 (198)
36	36	✓	✓	✓	✓	90 (198)
42	42	✓	✓	✓	✓	95 (209)
48	48	-	✓	✓	✓	95 (209)
54	54	-	✓	✓	✓	95 (209)
60	60	-	✓	✓	✓	95 (209)

TO ORDER SPECIFY: Quantity, model, size, voltage, phase, wattage, application, optional equipment, operating pressure, ultimate owner's name and address, installation location name and address.