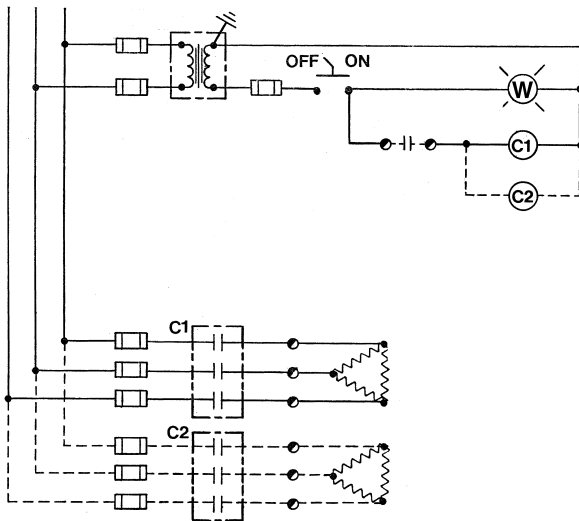


TYPE ECPB CONTROL PANELS

Type ECPB panels are basic control units used to interface with electric heaters having remotely located thermostats, limit controls, percentage timers, or other control components. This series of panels does not include a disconnect switch but does include the following:

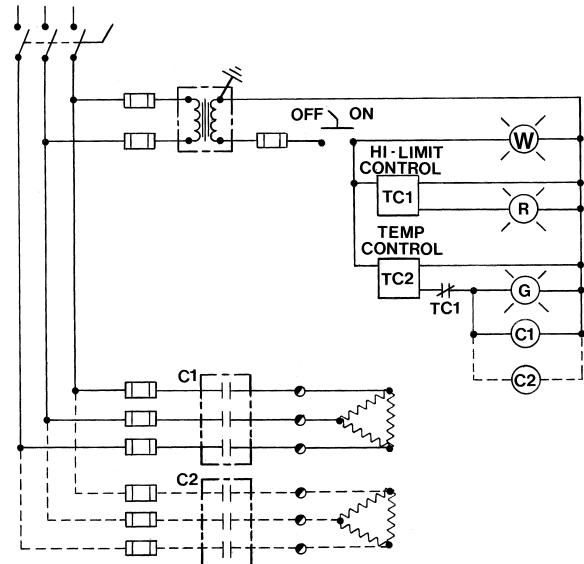
- Type 4 weather resistant enclosure with hinged door
- Fused magnetic contactor(s)
- On-off switch and pilot light
- Fused control circuit transformer with 120V secondary control voltage
- Terminal blocks for connection of externally located control devices



TYPE ECPA CONTROL PANELS

Type ECPA fully packaged control panels are suitable for use in a variety of electric heater installations. The ECPA series includes:

- Type 4 weather resistant enclosures with hinged doors.
- Disconnect switch with door interlock
- Fused control circuit transformer with 120V secondary control voltage
- On-off switch
- Fused magnetic definite purpose contactor(s)
- Digital indicating configurable microprocessor based temperature control (Series 922G)
- Electronic high limit, manual or auto reset (543 series)
- Pilot lights for "system on", "heat on", "high limit"



TYPE ECPB CONTROL PANELS (Type 4 enclosures) 208V, 240V, 480V, 600V, (1 or 3 Phase)

Model Size	Fused Rating (Amps)	Max. Load (Amps)	No. of Circuits	Amps per Circuit	Panel Size (ins.)
ECPB30	30	24	1	24	16X12X6
ECPB60	60	48	1	48	16X12X6
ECPB80	80	64	2	32	20X16X6
ECPB100	100	80	2	40	20X16X6
ECPB150	150	120	3	40	24X20X6
ECPB200	200	160	4	40	24X20X6

TYPE ECPA CONTROL PANELS (Type 4 enclosures) 208V, 240V, 480V, 600V, (1 or 3 Phase)

Model Size	Disconnect Size (Amps)	Max. Load (Amps)	No. of Circuits	Amps per Circuit	Panel Size (ins.)
ECPA30	30	24	1	24	24X20X8
ECPA60	60	48	1	48	24X20X8
ECPA100	100	80	2	40	24X20X8
ECPA200	200	160	4	40	24X30X8

TO ORDER: Specify panel model size, voltage, phase, temp. range, type of sensor, optional high limits if required and any other special features