

CAPACITY OF PIPING - NATURAL GAS															
Cubic Feet/Meters per Hour Based on 0.3" W.C. Pressure Drop															
Specific Gravity for Natural Gas - 0.6 (1,000 BTU/CU Foot)															
Length of Pipe		Diameter of Pipe													
		1/2"		3/4"		1"		1-1/4"		1-1/2"		2"		2-1/2"	
Ft	M	Ft <sup>3</sup> /Hr	M <sup>3</sup> /Hr	Ft <sup>3</sup> /Hr	M <sup>3</sup> /Hr	Ft <sup>3</sup> /Hr	M <sup>3</sup> /Hr	Ft <sup>3</sup> /Hr	M <sup>3</sup> /Hr	Ft <sup>3</sup> /Hr	M <sup>3</sup> /Hr	Ft <sup>3</sup> /Hr	M <sup>3</sup> /Hr	Ft <sup>3</sup> /Hr	M <sup>3</sup> /Hr
20	6.1	92	2.6	190	5.4	350	9.9	730	20.7	1100	31.1	2100	59.5	3300	93.4
30	9.1	73	2.1	152	4.3	285	8.1	590	16.7	890	25.2	1650	46.7	2700	76.5
40	12.2	63	1.8	130	3.7	245	6.9	500	14.2	760	21.5	1450	41.1	2300	65.1
50	15.2	56	1.6	115	3.3	215	6.1	440	12.5	670	19.0	1270	36.0	2000	56.6
60	18.3	50	1.4	105	3.0	195	5.5	400	11.3	610	17.3	1105	31.3	1850	52.4
70	21.3	46	1.3	96	2.7	180	5.1	370	10.5	560	15.9	1050	29.7	1700	48.1
80	24.4	43	1.2	90	2.5	170	4.8	350	9.9	530	15.0	990	28.0	1600	45.3
90	27.4	40	1.1	84	2.4	160	4.5	320	9.1	490	13.9	930	26.3	1500	42.5
100	30.5	38	1.1	79	2.2	150	4.2	305	8.6	460	13.0	870	24.6	1400	39.6
125	38.1	34	1.0	72	2.0	130	3.7	275	7.8	410	11.6	780	22.1	1250	35.4
150	45.7	31	0.9	64	1.8	120	3.4	250	7.1	380	10.8	710	20.1	1130	32.0
175	53.3	28	0.8	59	1.7	110	3.1	225	6.4	350	9.9	650	18.4	1050	29.7
200	61.0	26	0.7	55	1.6	100	2.8	210	5.9	320	9.1	610	17.3	980	27.7

**NOTE:** When sizing supply lines, consider possibilities of future expansion and increased heating requirements. Refer to National Fuel Gas Code for additional information on sizing supply line.

CAPACITY OF PIPING - PROPANE															
Cubic Feet/Meters per Hour Based on 0.3" W.C. Pressure Drop															
Specific Gravity for Propane Gas - 1.6 (2,550 BTU/CU Foot)															
Length of Pipe		Diameter of Pipe													
		1/2"		3/4"		1"		1-1/4"		1-1/2"		2"		2-1/2"	
Ft	M	Ft <sup>3</sup> /Hr	M <sup>3</sup> /Hr	Ft <sup>3</sup> /Hr	M <sup>3</sup> /Hr	Ft <sup>3</sup> /Hr	M <sup>3</sup> /Hr	Ft <sup>3</sup> /Hr	M <sup>3</sup> /Hr	Ft <sup>3</sup> /Hr	M <sup>3</sup> /Hr	Ft <sup>3</sup> /Hr	M <sup>3</sup> /Hr	Ft <sup>3</sup> /Hr	M <sup>3</sup> /Hr
20	6.1	56	1.6	116	3.3	214	6.1	445	12.6	671	19.0	1281	36.3	2013	57.0
30	9.1	45	1.3	93	2.6	174	4.9	360	10.2	543	15.4	1007	28.5	1647	46.6
40	12.2	38	1.1	79	2.2	149	4.2	305	8.6	464	13.1	885	25.1	1403	39.7
50	15.2	34	1.0	70	2.0	131	3.7	268	7.6	409	11.6	775	21.9	1220	34.5
60	18.3	31	0.9	64	1.8	119	3.4	244	6.9	372	10.5	674	19.1	1129	32.0
70	21.3	28	0.8	59	1.7	110	3.1	226	6.4	342	9.7	641	18.2	1037	29.4
80	24.4	26	0.7	55	1.6	104	2.9	214	6.1	323	9.1	604	17.1	976	27.6
90	27.4	24	0.7	51	1.4	98	2.8	195	5.5	299	8.5	567	16.1	915	25.9
100	30.5	23	0.7	48	1.4	92	2.6	186	5.3	281	8.0	531	15.0	854	24.2
125	38.1	21	0.6	44	1.2	79	2.2	168	4.8	250	7.1	476	13.5	763	21.6
150	45.7	19	0.5	39	1.1	73	2.1	153	4.3	232	6.6	433	12.3	689	19.5
175	53.3	17	0.5	36	1.0	67	1.9	137	3.9	214	6.1	397	11.2	641	18.2
200	61.0	16	0.5	34	1.0	61	1.7	128	3.6	195	5.5	372	10.5	598	16.9

**NOTE:** When sizing supply lines, consider possibilities of future expansion and increased heating requirements. Refer to National Fuel Gas Code for additional information on sizing supply line.

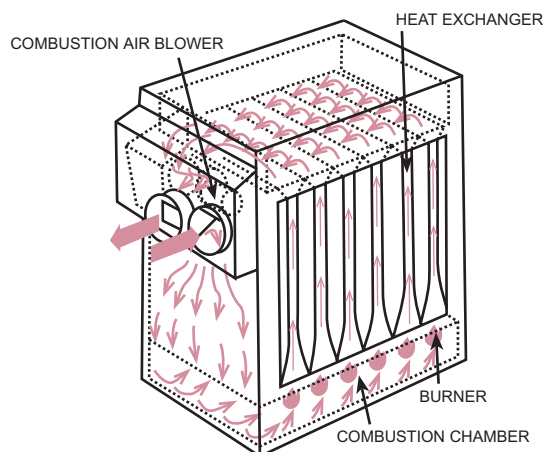
### Reznor Separated Combustion Systems Applies to Model SSCDBL

The manufacturer of Reznor heating equipment, for years, has pioneered in separated combustion system technology, eliminating "open flame" combustion problems. This has resulted in a complete line of Reznor products using the separated combustion principle-

- air for combustion is mechanically induced from outside the building, preventing dirt, lint, dust or other contaminants in the indoor atmosphere from entering the burner, pilot or combustion zone of the furnace,
- the air flow is metered to provide optimum and efficient combustion that is unaffected by negative building pressure or wind,
- after combustion, the air is exhausted back to the outdoor atmosphere.

Reznor separated combustion products provide all of the benefits while requiring only one building penetration. See the venting illustration on the following pages.

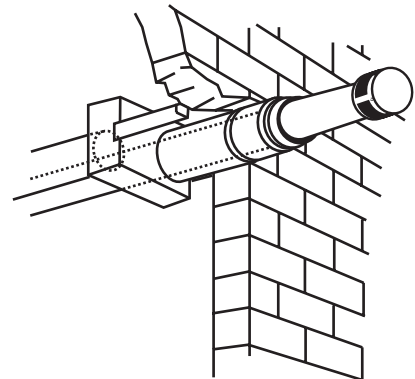
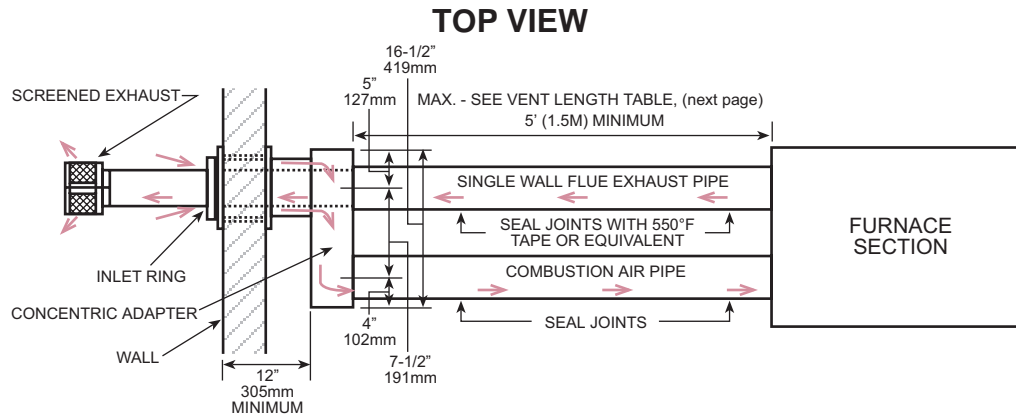
Flow of combustion air through furnace in Models SSCDBL



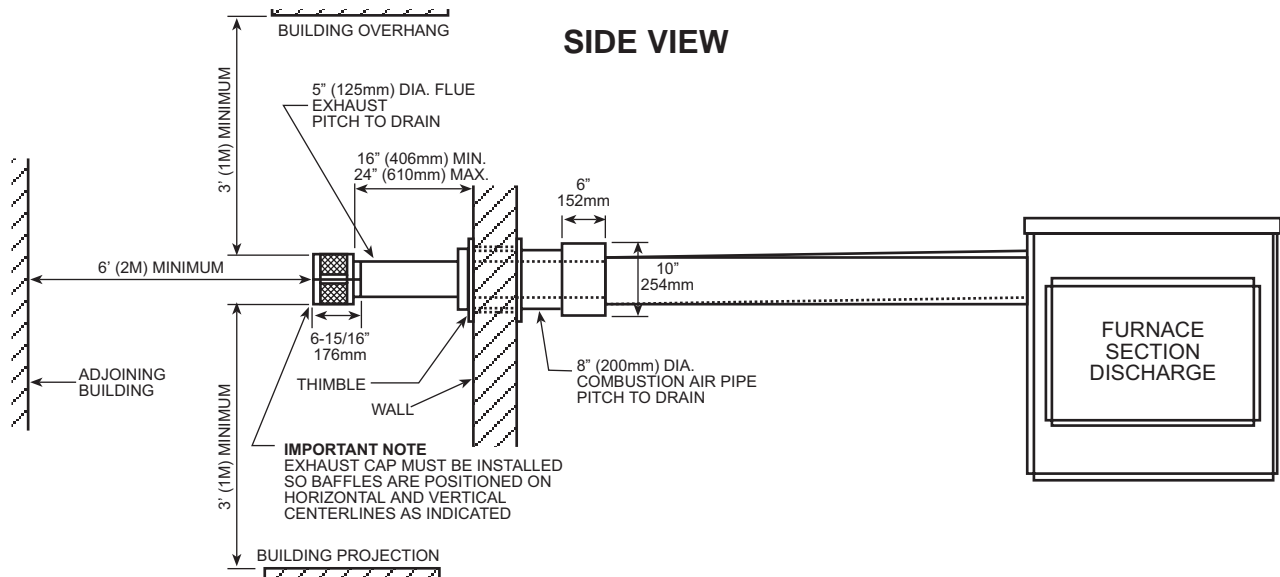
## Horizontal Vent Terminal/Combustion Air Inlet Assembly (Option CC6)

Approved vent terminals are illustrated below. No other venting arrangements are approved or certified for use with Reznor separated combustion heaters.

Both the horizontal and vertical assemblies include: concentric adapter, screened exhaust or cap, inlet ring or inlet cap, and a tube of high temperature silicone rubber sealant; all shipped separately.



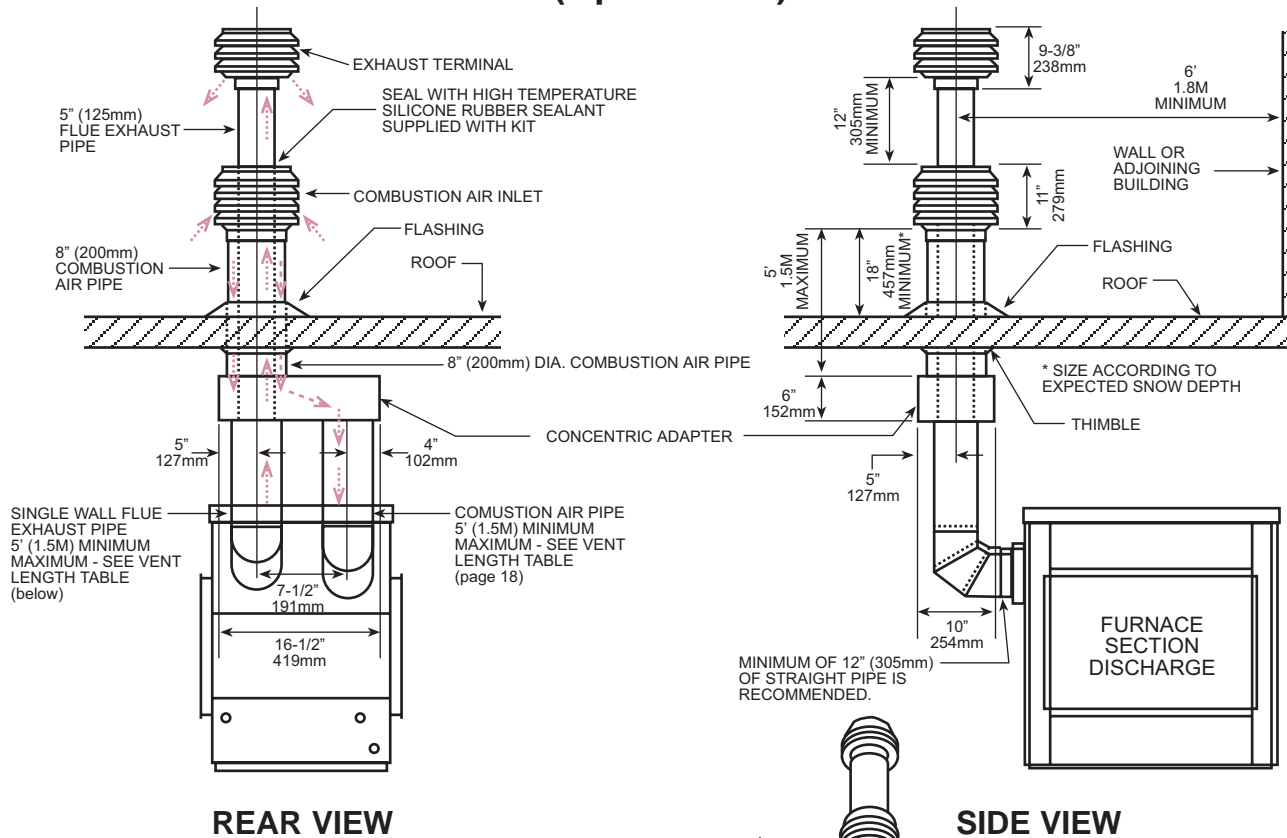
**Separated Combustion Unit** - Showing typical installation of a single horizontal vent terminal and concentric adapter. When Option CC6 is ordered, one horizontal vent terminal/combustion air inlet assembly is provided for **EACH** furnace section. A Model SSCDBL with multiple furnaces requires installation of an inlet air/vent terminal assembly for each furnace.





# Reznor Separated Combustion Systems (cont'd)

## Vertical Vent Terminal/Combustion Air Inlet Assembly (Option CC2)



**Separated Combustion Unit** - Typical installation of one vertical vent terminal and concentric adapter. If vertical vent (Option CC2) is selected, a vertical vent terminal/combustion-air inlet assembly is provided for EACH furnace section. A Model SSCDBL with multiple furnaces requires installation of an inlet air/vent terminal assembly for each furnace.

### VENTING REQUIREMENTS - Model SSCDBL

Vent terminals illustrated on these pages are approved for use with Reznor Model SSCDBL. No other venting arrangements are approved.

All pipes are field-supplied. Consult the heater installation manual for requirements.

On Model SSCDBL with multiple furnace sections, a separate air inlet/vent terminal assembly **must be installed for each furnace**. A minimum of 26-1/4" (667mm) is required between the center lines of the outdoor terminal pipes.

VENT LENGTH TABLE

SIZE	Pipe Diameter		Max. Length	
	in.	mm	ft.	M
1000, 1200	6	150	50	15
800, 1400, 1600	6	150	30	9
All Sizes	7	175	70	21
90 degree elbow equals 8 feet of pipe; 45 degree elbow equals 4 feet of pipe.	Minimum length is 5 feet.			