

IMPORTANT

1. Always include complete model and serial number so that any specification change can be considered for parts shipment. It can save time and expense.
2. Specifications are subject to change without notice.
3. We reserve the right to substitute functional replacements.
4. Order by Part No. Do not order parts by Option No.

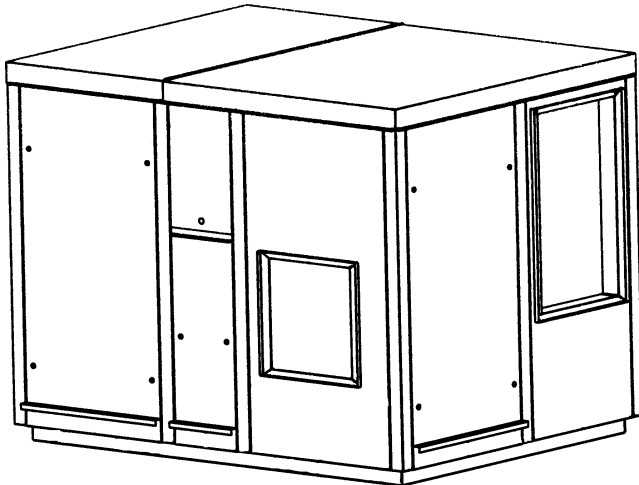
REZNOR *Thomas & Betts*



Model ERSA
Energy Recovery
Preconditioner for
Makeup Air

PARTS FORM RGM 780
New

APPLIES TO: Replacement Parts/Service



Parts Index

Page No.

Belts - Blowers	6
Belt - Wheel	3
Blowers	4
Cabinet Parts	2
Contactor - Blower Motors	4
Contactor - Wheel Motor	4
Contactor - Optional Pre-Heater	8
Disconnect Switch	2, 8
Drive Table	6
Fuse	4
Electric Elements - Optional Pre-Heater	8
Electric Pre-Heater Cabinet	8
Electrical Components	4
Exhaust Hood	7
Filters	3
Motors	4
Outside Air Inlet Hood	7
Rating Plate	1
Roof Curb Packages	7
Starter Contactor and Overload	5
Transformer - ERSA	4
Transformer - Optional Pre-Heater	8
Vertical Supply and Return Air Opening	7
Wheel Cassette	3

Model ERSA Rating Plate Sample

REZNOR



Mercer, PA, U.S.A. 16137

ENERGY RECOVERY UNIT

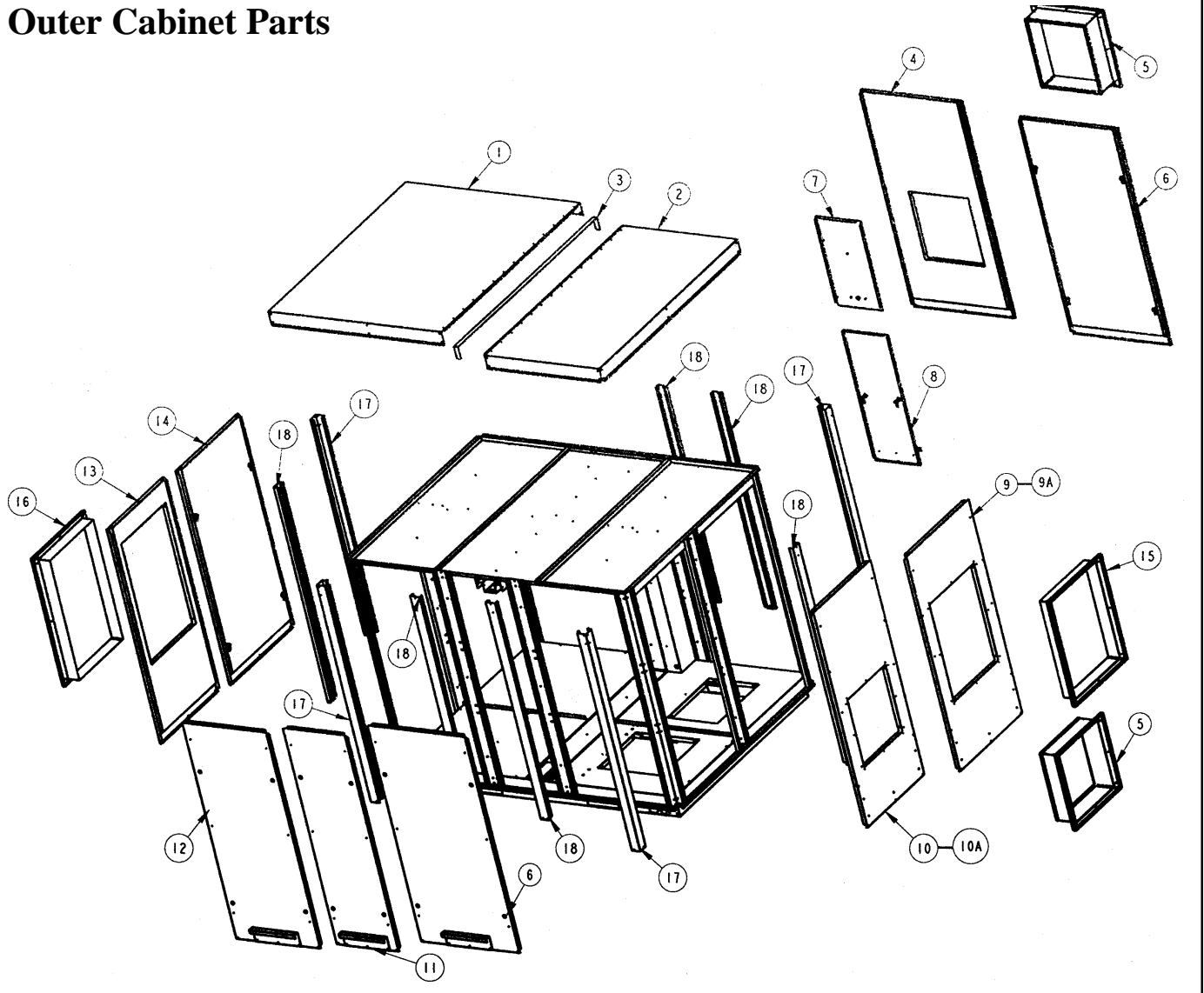
FOR INDUSTRIAL/COMMERCIAL USE ONLY
 SUITABLE FOR OUTDOOR USE

MODEL	ERSA	5	
SERIAL NO.	AWJER5-52488		
HP	5		
VOLTS	460		
PH	3		
HZ	60		
TOTAL AMPS	14.76		
MINIMUM CIRCUIT AMPACITY (MCA)			18.45
MAXIMUM FUSE			23.01
FULL LOAD AMPERES OF EACH MOTOR			6.6
ENERGY RECOVERY WHEEL DIAMETER			54"
ENERGY RECOVERY WHEEL RPM			45
ENERGY RECOVERY WHEEL BELT LENGTH			170"
MINIMUM AIR FLOW	3500 SCFM		
MAXIMUM AIR FLOW	6500 SCFM		
MINIMUM BLOWER RPM	815		
MAXIMUM BLOWER RPM	1065		
EQUIPPED FOR OPERATION AT AN AIR FLOW OF 4000 SCFM AGAINST A STATIC PRESSURE OF .75 INCHES WATER COLUMN.			
DRIVE NO.	AM11		
WIRE DIAGRAM NO.	150556		

Date of Manufacture (First 3 Digits of the Serial No.)

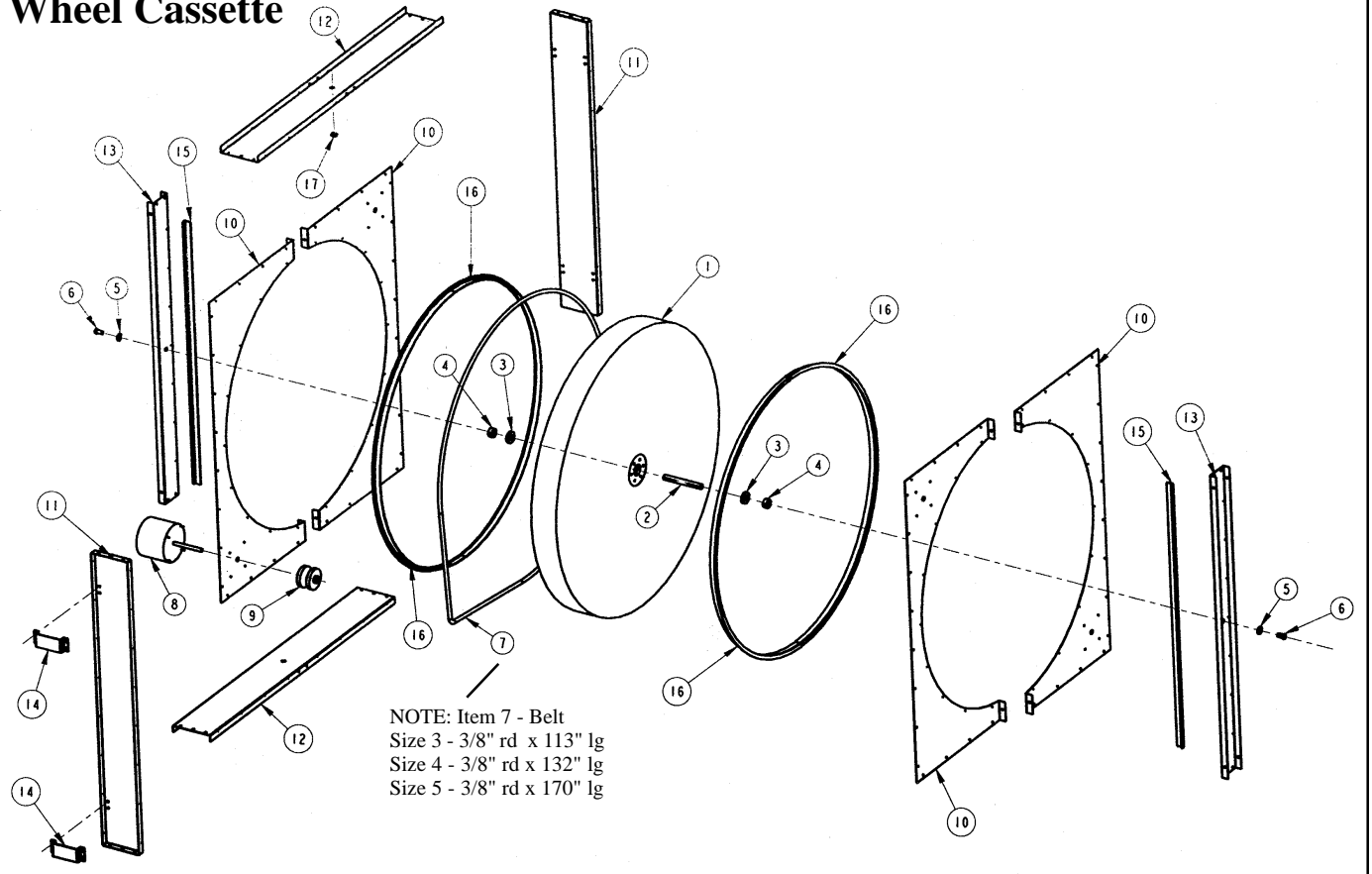
Year	Jan	Feb	Mar	Apr	May	Jun	Jul	Aug	Sep	Oct	Nov	Dec
1997	AWA	AWB	AWC	AWD	AWE	AWF	AWG	AWH	AWI	AWJ	AWK	AWL
1998	AXA	AXB	AXC	AXD	AXE	AXF	AXG	AXH	AXI	AXJ	AXK	AXL
1999	AYA	AYB	AYC	AYD	AYE	AYF	AYG	AYH	AYI	AYJ	AYK	AYL
2000	AZA	AZB	AZC	AZD	AZE	AZF	AZG	AZH	AZI	AZJ	AZK	AZL
2001	BAA	BAB	BAC	BAD	BAE	BAF	BAG	BAH	BAI	BAJ	BAK	BAL
2002	BBA	BBB	BBC	BBD	BBE	BBF	BBG	BBH	BBI	BBJ	BBK	BBL
2003	BCA	BCB	BCC	BCD	BCE	BCF	BCG	BCH	BCI	BCJ	BCK	BCL
2004	BDA	BDB	BDC	BDD	BDE	BDF	BDG	BDH	BDI	BDJ	BDK	BDL
2005	BEA	BEB	BEC	BED	BEE	BEF	BEG	BEH	BEI	BEJ	BEK	BEL
2006	BFA	BFB	BFC	BFD	BFE	BFF	BFG	BFH	BFI	BFJ	BFK	BFL
2007	BGA	BGB	BGC	BGD	BGE	BGF	BGG	BGH	BGI	BGJ	BGK	BGL
2008	BHA	BHB	BHC	BHD	BHE	BHF	BHG	BHH	BHI	BHJ	BHK	BHL
2009	BIA	BIB	BIC	BID	BIE	BIF	BIG	BIH	BII	BIJ	BIK	BIL
2010	BJA	BJB	BJC	BJD	BJE	BJF	BJG	BJH	BJI	BJJ	BJK	BJL
2011	BKA	BKB	BKC	BKD	BKE	BKF	BKG	BKH	BKI	BKJ	BKK	BKL
2012	BLA	BLB	BLC	BLD	BLE	BLF	BLG	BLH	BLI	BLJ	BLK	BLL
2013	BMA	BMB	BMC	BMD	BME	BMF	BMG	BMH	BMI	BMJ	BMK	BML
2014	BNA	BNB	BNC	BND	BNE	BNF	BNG	BNH	BNI	BNJ	BNK	BNL
2015	BOA	BOB	BOC	BOD	BOE	BOF	BOG	BOH	BOI	BOJ	BOK	BOL

Outer Cabinet Parts



Item	Description	Qty	ERSA3	ERSA4	ERSA5
1	Rear Top	1	150707	150147	150708
2	Front Top	1	150709	150148	150710
3	Top Gasket	1	150634	150675	150636
4	Exhaust Blower Panel Assembly	1	150911	150907	150915
5	Supply and Exhaust Outlet Duct Connector Assembly	2	150887	150885	150890
6	Large Access Panel Assembly	2	150898	150894	150902
7	Disconnect Switch Panel	1	150502	150502	150502
7A	Disconnect Switch, HU361RB	1	50367	50367	50367
8	Control Door Panel Assembly	1	150918	150919	150920
9A	Return Air Panel Assy - Standard Horizontal Inlet	1	150912	150908	150916
9B	Return Air Blower Access Panel Assy - Optional Vertical Inlet	1	150900	150896	150904
10A	Supply Air Blower Panel Assy - Standard Horizontal Discharge	1	150913	150909	150917
10B	Supply Air Blower Access Panel Assy - Optional Vertical Discharge	1	151252	151253	151254
11	Wheel Access Panel Assembly	1	150899	150895	150903
12	Outside Air Filter Access Panel Assembly	1	150901	150897	150905
13	Outside Air Panel Assembly	1	150910	150906	150914
14	Return Air Blower Access Panel Assembly	1	150900	150896	150904
15	Return Air Inlet Duct Connector Assembly	1	150888	150886	150889
16	Outside Air Inlet Duct Connector Assembly	1	151250	151249	151251
17	Corner Post Cover	4	150711	150150	150712
18	Flat Post Cover	6	150713	150149	150714
19	Door Latch Kit for all Access Panels (not illustrated)		124067	124067	124067

Wheel Cassette



Item	Description	Qty	ERSA3	ERSA4	ERSA5
1	Wheel	1	151337	151338	151339
2	Shaft	1	151301	151301	151301
3	Bearing	2	150774	150774	150774
4	Collar	2	150805	150805	150805
5	Lockwasher	2	150773	150773	150773
6	1/2"-13 x 3/4" long Cap Screw	2	150772	150772	150772
7	Belt, 3/8" Round	1	150659	150660	150661
8	Motor	1	150217	150217	150217
9	Sheave (Wheel Pulley)	1	150218 #AS23, 1/2"	155026 #AS26, 1/2"	155027 #AS34, 1/2"
10	Face Mask	4	149869	149870	149871
11	Wheel Rack Side	2	151298	151299	151300
12	Wheel Rack Top/Bottom	2	151295	151296	151297
13	Bearing Channel	2	149866	149867	149868
14	Handle	2	151302	151302	151302
15	Brush Seal Assy for Bearing Channel Assy	2	151746	151747	151748
16	Brush Seal Assy for Face Mask Assy	4	151749	151750	151751
17	3/8-16 Nut Retainer, Tinnerman DC7953-3816-4	1	96386	96386	96386

Replacement Filters and Blockoffs

Supply and Return Air Filters

ERSA 3 - (6) 16x20x2", P/N 104110

ERSA 4 - (6) 20x25x2", P/N 104113

ERSA 5 - (16) 16x20x2", P/N 104110

Blockoff Plates

ERSA 3 - (3) Return Air, P/N 150820

(3) Supply Air, P/N 150819

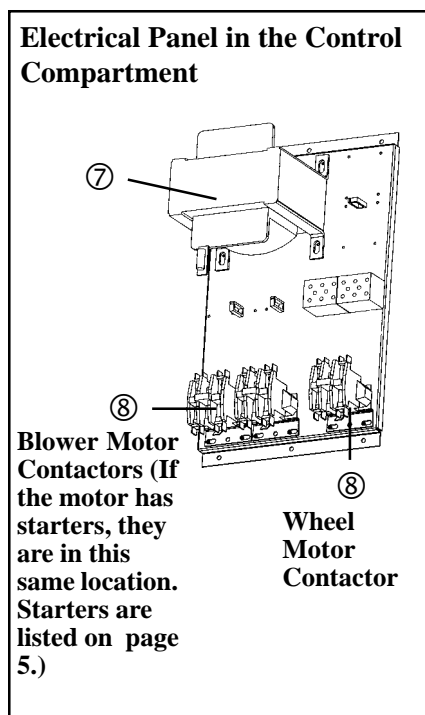
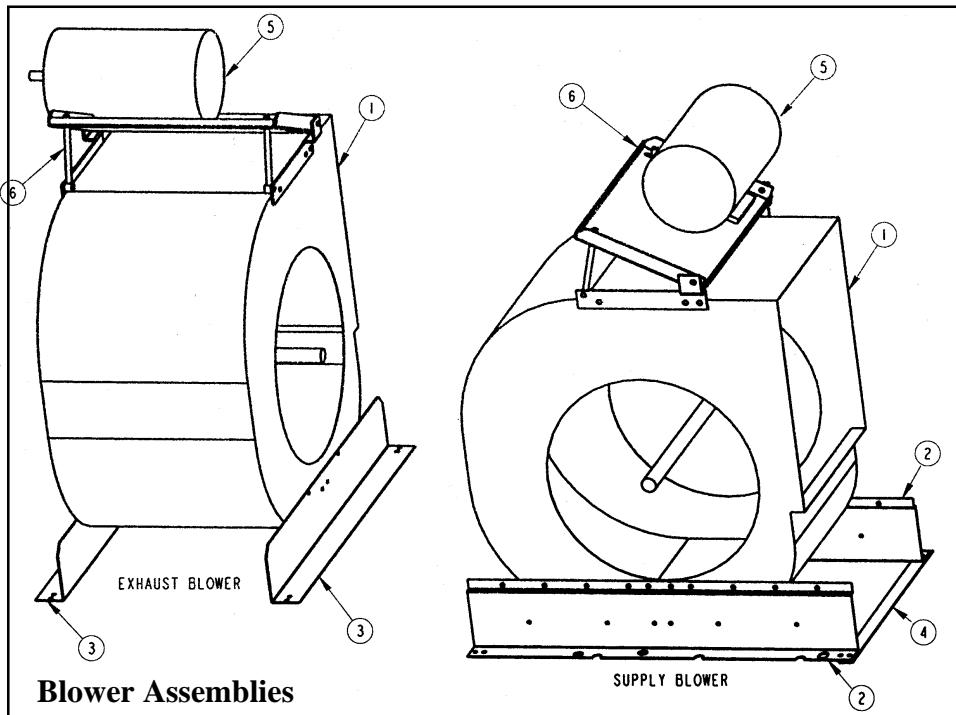
ERSA 4 - (3) Return Air, P/N 150183

(3) Supply Air, P/N 150182

ERSA 3 - (4) Return Air, P/N 150822

(4) Supply Air, P/N 150821

Blowers, Motors, and Electrical Components



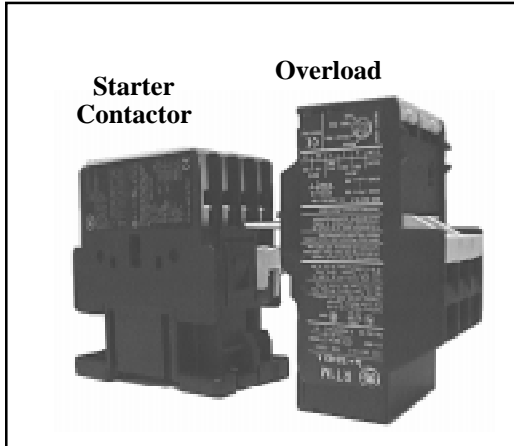
Item	Description	Qty	ERSA3	ERSA4	ERSA5
1	Blower (including shaft and bearings)	2	1357 Lau A10x10AC	100658 Lau A15x11AC	100659 Lau A15x15AC
2	Blower Support for Optional Vertical Supply Air	2	150975	150975	150975
3	Support for Exhaust Air Blower	2	150197	150198	150199
4	Spacer for Supply Air Blower	1	151260	151261	151262
5	Blower Motor - See chart below	2	1/4 - 2 HP	1/2 - 3 HP	1-1/2 - 5 HP
6	Motor Mounting Plate Assy	2	151752	151753	151754
7	Transformer, .75 KVA	1	150776	150776	150776
8	Contactor, Furnas #41NB30AFP122		(3) 119626	(1) 119626	(1) 119626
9	Fuse, 8 amp (not illustrated)	1	38636	38636	38636
10	Fuse Holder (clips on to the transformer)	1	157279	157279	157279

Blower Motors

HP	Mfg	Mfg No.	FLA	P/N	V	ph	Overload Protection
Open Dripproof Motors 1/4 - 5 HP							
1/4	CENT	H200	1.1	115864	208	3	None
1/4	CENT	H200	1.4	115864	230	3	None
1/4	CENT	H200	0.75	115864	460	3	None
1/3	CENT	H260	1.4	115863	208	3	None
1/3	CENT	H260	1.6	115863	230	3	None
1/3	CENT	H260	0.8	115863	460	3	None
1/2	CENT	111029	2.1	13443	208	3	Auto
1/2	CENT	111029	2	13443	230	3	Auto
1/2	CENT	111029	1	13443	460	3	Auto
3/4	A.O.	312P696	2.9	36951	208	3	Auto
3/4	A.O.	312P696	2.6	36951	230	3	Auto
3/4	A.O.	312P696	1.3	36951	460	3	Auto
1	A.O.	312P703	3.7	36580	208	3	Auto
1	A.O.	312P703	3.2	36580	230	3	Auto
1	A.O.	312P703	1.6	36580	460	3	Auto
1-1/2	CENT	H884	5.6	115859	208	3	Auto
1-1/2	CENT	H884	5	115859	230	3	Auto
1-1/2	CENT	H884	2.7	115859	460	3	Auto

HP	Mfg	Mfg No.	FLA	P/N	V	ph	Overload Protection
2	CENT	113870	7	13697	208	3	Auto
2	CENT	113870	6.6	13697	240	3	Auto
2	CENT	113870	3.3	13697	480	3	Auto
3	BALDOR	M3158	8.9	152002	208	3	None
3	BALDOR	M3158	8	152002	240	3	None
3	BALDOR	M3158	4	152002	480	3	None
5	CENT	181159-01	13.4	113371	208	3	None
5	CENT	181159-01	13.2	113371	240	3	None
5	CENT	181159-01	6.6	113371	480	3	None
Energy Efficient Motors 2 - 5 HP							
2	CENT	E105	6	105664	208	3	None
2	CENT	E102	5.2	105666	240	3	None
2	CENT	E102	2.6	105666	480	3	None
3	CENT	E240	8.4	155047	208	3	None
3	CENT	E240	7.6	155047	240	3	None
3	CENT	E240	3.8	155047	480	3	None
5	CENT	E241	13.3	155048	208	3	None
5	CENT	E241	12	155048	240	3	None
5	CENT	E241	6	155048	480	3	None

Starter Contactor and Overload



Starter and Overload Chart

Motor								Starter Contactor		Overload			
HP	Type	Mfg	FLA	Mfg No.	P/N	V	ph	GE#	P/N	GE#	min	max	P/N
1/4	OPEN	CENT	1.1	H200	115864	208	3	CL00A 310T-J	151146	RTA 1-G	1	1.5	151187
1/4	OPEN	CENT	1.4	H200	115864	230	3	CL00A 310T-J	151146	RTA 1-G	1	1.5	151187
1/4	OPEN	CENT	0.75	H200	115864	460	3	CL00A 310T-J	151146	RTA 1-E	0.63	0.9	151185
1/3	OPEN	CENT	1.4	H260	115863	208	3	CL00A 310T-J	151146	RTA 1-G	1	1.5	151187
1/3	OPEN	CENT	1.6	H260	115863	230	3	CL00A 310T-J	151146	RTA 1-H	1.3	1.9	151188
1/3	OPEN	CENT	0.8	H260	115863	460	3	CL00A 310T-J	151146	RTA 1-E	0.63	0.9	151185
1/2	OPEN	CENT	2.1	111029	13443	208	3	CL00A 310T-J	151146	RTA 1-J	1.9	2.7	151189
1/2	OPEN	CENT	2	111029	13443	230	3	CL00A 310T-J	151146	RTA 1-J	1.9	2.7	151189
1/2	OPEN	CENT	1	111029	13443	460	3	CL00A 310T-J	151146	RTA 1-F	0.6	1.1	151186
3/4	OPEN	A.O.	2.9	312P696	36951	208	3	CL00A 310T-J	151146	RTA 1-K	2.5	4	151190
3/4	OPEN	A.O.	2.6	312P696	36951	230	3	CL00A 310T-J	151146	RTA 1-K	2.5	4	151190
3/4	OPEN	A.O.	1.3	312P696	36951	460	3	CL00A 310T-J	151146	RTA 1-G	1	1.5	151187
1	OPEN	A.O.	3.7	312P703	36580	208	3	CL00A 310T-J	151146	RTA 1-K	2.5	4	151190
1	OPEN	A.O.	3.2	312P703	36580	230	3	CL00A 310T-J	151146	RTA 1-K	2.5	4	151190
1	OPEN	A.O.	1.6	312P703	36580	460	3	CL00A 310T-J	151146	RTA 1-H	1.3	1.9	151188
1-1/2	OPEN	CENT	5.6	H884	115859	208	3	CL00A 310T-J	151146	RTA 1-L	4	6.3	151191
1-1/2	OPEN	CENT	5	H884	115859	230	3	CL00A 310T-J	151146	RTA 1-L	4	6.3	151191
1-1/2	OPEN	CENT	2.7	H884	115859	460	3	CL00A 310T-J	151146	RTA 1-J	1.9	2.7	151189
2	OPEN	CENT	7	113870	13697	208	3	CL00A 310T-J	151146	RTA 1-M	5.50	7.50	151192
2	OPEN	CENT	6.6	113870	13697	240	3	CL00A 310T-J	151146	RTA 1-M	5.50	7.50	151192
2	OPEN	CENT	3.3	113870	13697	480	3	CL00A 310T-J	151146	RTA 1-K	2.50	4.00	151190
3	OPEN	BALDOR	8.9	M3158	152002	208	3	CL00A 310T-J	151146	RTA 1-N	7.00	10.00	151193
3	OPEN	BALDOR	8	M3158	152002	240	3	CL00A 310T-J	151146	RTA 1-N	7.00	10.00	151193
3	OPEN	BALDOR	4	M3158	152002	480	3	CL00A 310T-J	151146	RTA 1-L	4.00	6.30	151191
5	OPEN	CENT	13.4	181159-01	113371	208	3	CL01A 310T-J	151151	RTA 1-P	10.00	13.00	151194
5	OPEN	CENT	13.2	181159-01	113371	240	3	CL01A 310T-J	151151	RTA 1-P	10.00	13.00	151194
5	OPEN	CENT	6.6	181159-01	113371	480	3	CL01A 310T-J	151151	RTA 1-M	5.50	8.50	151192
2	EE	CENT	6	E105	105664	208	3	CL00A 310T-J	151146	RTA 1-L	4.00	6.30	151191
2	EE	CENT	5.2	E102	105666	240	3	CL00A 310T-J	151146	RTA 1-L	4.00	6.30	151191
2	EE	CENT	2.6	E102	105666	480	3	CL00A 310T-J	151146	RTA 1-J	1.80	2.70	151189
3	EE	CENT	8.4	E240	155047	208	3	CL00A 310T-J	151146	RTA 1-N	7.00	10.00	151193
3	EE	CENT	7.6	E240	155047	240	3	CL00A 310T-J	151146	RTA 1-N	7.00	10.00	151193
3	EE	CENT	3.8	E240	155047	480	3	CL00A 310T-J	151146	RTA 1-L	4.00	6.30	151191
5	EE	CENT	13.3	E241	155048	208	3	CL01A 310T-J	151151	RTA 1-R	12.00	15.00	151195
5	EE	CENT	12	E241	155048	240	3	CL01A 310T-J	151151	RTA 1-P	10.00	13.00	151194
5	EE	CENT	6	E241	155048	480	3	CL01A 310T-J	151151	RTA 1-M	5.50	7.50	151192

Drive Table

Drive Components for Units with Open Dripproof Motors

MTR	HP	DRIVE OPTION (AMNo.) - See Table, page 7	MOTOR PULLEY			BLOWER PULLEY			BUSHING		BELTS	
			P/N	MFG #	BORE	P/N	MFG #	BORE	P/N	MFG #	P/N	MFG #
E R S A	1/4	3, 4, 5	13491	1VL40	1/2	157584	AK94	3/4"	----	----	50473	A46
		6, 7, 8, 9, 10	4074	1VL34	1/2	111684	AK59	3/4"	----	----	105493	A39
	1/3	3, 4, 5	13491	1VL40	1/2	157584	AK94	3/4"	----	----	50473	A46
		6, 7, 8, 9, 10	4074	1VL34	1/2	111684	AK59	3/4"	----	----	105493	A39
	1/2	11, 12, 13, 14, 15, 16	7962	1VL40	5/8"	105480	AK54	3/4"	----	----	16019	A40
	3/4	11, 12, 13, 14, 15, 16	7962	1VL40	5/8"	105480	AK54	3/4"	----	----	16019	A40
	1	11, 12, 13, 14, 15, 16	7962	1VL40	5/8"	105480	AK54	3/4"	----	----	16019	A40
		17, 18, 19, 20, 21, 22, 23, 24	105476	1VL44	5/8"	105477	AK46	3/4"	----	----	105493	A39
	1-1/2	11, 12, 13, 14, 15, 16	7962	1VL40	5/8"	105480	AK54	3/4"	----	----	16019	A40
		17, 18, 19, 20, 21, 22, 23, 24	105476	1VL44	5/8"	105477	AK46	3/4"	----	----	105493	A39
	2	3, 4	105476	1VL44	5/8"	152020	AK109H	3/4"	105487	H X 3/4	88558	A50
		5, 6	105476	1VL44	5/8"	123764	AK99H	3/4"	105487	H X 3/4	65403	A48
		7, 8, 9, 10	7962	1VL40	5/8"	152024	AK69	3/4"	----	----	101412	A42
		11, 12, 13, 14, 15, 16	7962	1VL40	5/8"	105480	AK54	3/4"	----	----	16019	A40
		17, 18, 19, 20, 21, 22, 23, 24	105476	1VL44	5/8"	105477	AK46	3/4"	----	----	105493	A39
	E R S A	1/2	5, 6, 7	7962	1VL40	5/8"	19111	AK84	1"	----	----	65404
8, 9, 10			7962	1VL40	5/8"	135279	AK66	1"	----	----	65403	A48
11, 12, 13, 14, 15, 16			7962	1VL40	5/8"	135202	AK54	1"	----	----	16019	A40
3/4		5, 6, 7	7962	1VL40	5/8"	19111	AK84	1"	----	----	65404	A51
		8, 9, 10	7962	1VL40	5/8"	135279	AK66	1"	----	----	65403	A48
		11, 12, 13, 14, 15, 16	7962	1VL40	5/8"	135202	AK54	1"	----	----	16019	A40
1		5, 6, 7	7962	1VL40	5/8"	19111	AK84	1"	----	----	65404	A51
		8, 9, 10	7962	1VL40	5/8"	135279	AK66	1"	----	----	65403	A48
		11, 12, 13, 14, 15, 16	7962	1VL40	5/8"	135202	AK54	1"	----	----	16019	A40
17, 18, 19, 20, 21, 22, 23, 24		105476	1VL44	5/8"	105481	AK46	1"	----	----	105493	A39	
		11, 12, 13, 14, 15, 16	7962	1VL40	5/8"	135202	AK54	1"	----	----	16019	A40
		17, 18, 19, 20, 21, 22, 23, 24	105476	1VL44	5/8"	105481	AK46	1"	----	----	105493	A39
2	3, 4	105476	1VL44	5/8"	152020	AK109H	1"	92203	H X 1"	88558	A50	
	5, 6	105476	1VL44	5/8"	111609	AK99	1"	----	----	65403	A48	
	7, 8, 9, 10	7962	1VL40	5/8"	105483	AK69	1"	----	----	101412	A42	
	11, 12, 13, 14, 15, 16	7962	1VL40	5/8"	135202	AK54	1"	----	----	16019	A40	
	17, 18, 19, 20, 21, 22, 23, 24	105476	1VL44	5/8"	105481	AK46	1"	----	----	105493	A39	
3	6, 7, 8	7962	1VL40	5/8"	152023	1B5V160	1"	125410	B X 1	114104	B66	
	9, 10, 11, 12, 13	7962	1VL40	5/8"	152021	AK114	1"	----	----	16134	A57	
E R S A	1-1/2	7, 8, 9, 10	7962	1VL40	5/8"	105483	AK69	1"	----	----	101412	A42
		11, 12, 13, 14, 15, 16	7962	1VL40	5/8"	135202	AK54	1"	----	----	16019	A40
		17, 18, 19, 20, 21, 22, 23, 24	105476	1VL44	5/8"	105481	AK46	1"	----	----	105493	A39
	2	3, 4	105476	1VL44	5/8"	152020	AK109H	1"	92203	H X 1"	88558	A50
		5, 6	105476	1VL44	5/8"	111609	AK99	1"	----	----	65403	A48
		7, 8, 9, 10	7962	1VL40	5/8"	105483	AK69	1"	----	----	101412	A42
		11, 12, 13, 14, 15, 16	7962	1VL40	5/8"	135202	AK54	1"	----	----	16019	A40
		17, 18, 19, 20, 21, 22, 23, 24	105476	1VL44	5/8"	105481	AK46	1"	----	----	105493	A39
	3	6, 7, 8	7962	1VL40	5/8"	152023	1B5V160	1"	125410	B X 1	114104	B66
		9, 10, 11, 12, 13	7962	1VL40	5/8"	152021	AK114	1"	----	----	16134	A57
	5	9, 10, 11, 12	37451	1VM50	7/8"	152023	1B5V160	1"	125410	B X 1	16139	A67
			37451	1VM50	7/8"	152022	BK140	1"	----	----	5984	B63

Drive Components for Units with Energy Efficient Motors

MTR	HP	DRIVE OPTION (AMNo.) - See Table, page 7	MOTOR PULLEY			BLOWER PULLEY			BUSHING		BELTS	
			P/N	MFG #	BORE	P/N	MFG #	BORE	P/N	MFG #	P/N	MFG #
3	2	3, 4	106758	1VL44	7/8"	152020	AK109H	3/4"	105487	H X 3/4	88558	A50
		5, 6	106758	1VL44	7/8"	123764	AK99H	3/4"	105487	H X 3/4	65403	A48
		7, 8, 9, 10	106748	1VL40	7/8"	152024	AK69	3/4"	----	----	101412	A42
		11, 12, 13, 14, 15, 16	106748	1VL40	7/8"	105480	AK54	3/4"	----	----	16019	A40
		17, 18, 19, 20, 21, 22, 23, 24	106758	1VL44	7/8"	105477	AK46	3/4"	----	----	105493	A39
4	3	6, 7, 8	111681	1VP50L	1 1/8"	126006	1B5V200	1"	125410	B X 1	92233	B77
		9, 10, 11, 12, 13	110151	1VP44L	1 1/8"	152022	BK140	1"	----	----	92414	B64
5	5	9, 10, 11, 12	111681	1VP50L	1 1/8"	152023	1B5V160	1"	125410	B X 1	16558	A69
		13, 14	111681	1VP50L	1 1/8"	152022	BK140	1"	----	----	6010	B65

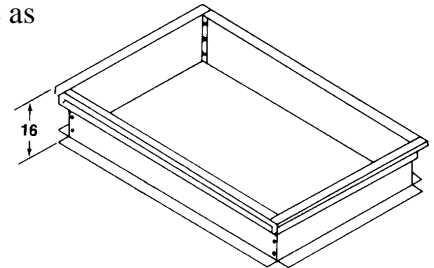
Drive Option Identification

501-550 RPM AM3	901-950 RPM AM11	1251-1300 RPM AM18
551-600 RPM AM4	951-1000 RPM AM12	1301-1350 RPM AM19
601-650 RPM AM5	1001-1050 RPM AM13	1351-1400 RPM AM20
651-700 RPM AM6	1051-1100 RPM AM14	1401-1450 RPM AM21
701-750 RPM AM7	1101-1150 RPM AM15	1451-1500 RPM AM22
751-800 RPM AM8	1151-1200 RPM AM16	1501-1550 RPM AM23
801-850 RPM AM9	1201-1250 RPM AM17	1551-1600 RPM AM24
851-900 RPM AM10		

Optional Accessories

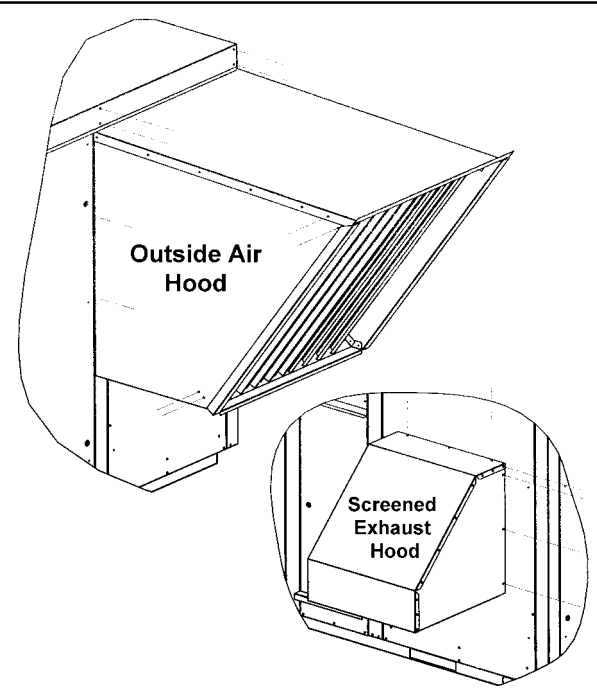
Roof Curb Packages (same as Option CJ1)

ERSA	P/N
3	151143
4	151144
5	151145



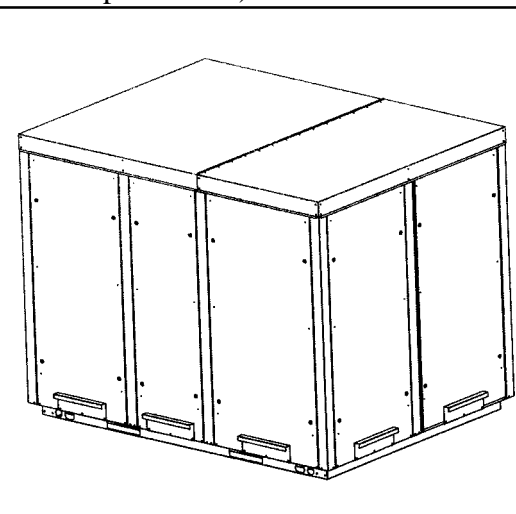
Screened Outside Air Inlet Hood and Exhaust Hood (same as Option AS14)

Size		3	4	5
Package P/N	Qty	151140	151141	151142
Outside Air Hood Components:				
Left Side	1	100216	100216	100216
Right Side	1	100217	100217	100217
Top	1	150856	150857	150858
Bottom	1	150853	150854	150855
Louver Assembly	1	150924	150925	150926
#10 x 1/2" lg Sheet Metal Screws	29	11813	11813	11813
#10 - 16 x 1/2" lg Self-drilling Screws	4	37661	37661	37661
Exhaust Hood Components:				
Top	1	150816	150817	150818
Left Side	1	150814	150815	150815
Right Side	1	150812	150813	150813
Front Screen Angle	1	150810	150808	150811
Side Screen Angle	2	150809	150807	150807
Screen	1	155049	155050	150806
#10 - 16 x 1/2" lg Self-drilling Screws	11	37661	37661	37661
#10 x 1/2" lg Sheet Metal Screws	15	11813	11813	11813



Kit to Convert to Vertical Supply and Return Air Openings (same as Option VK1)

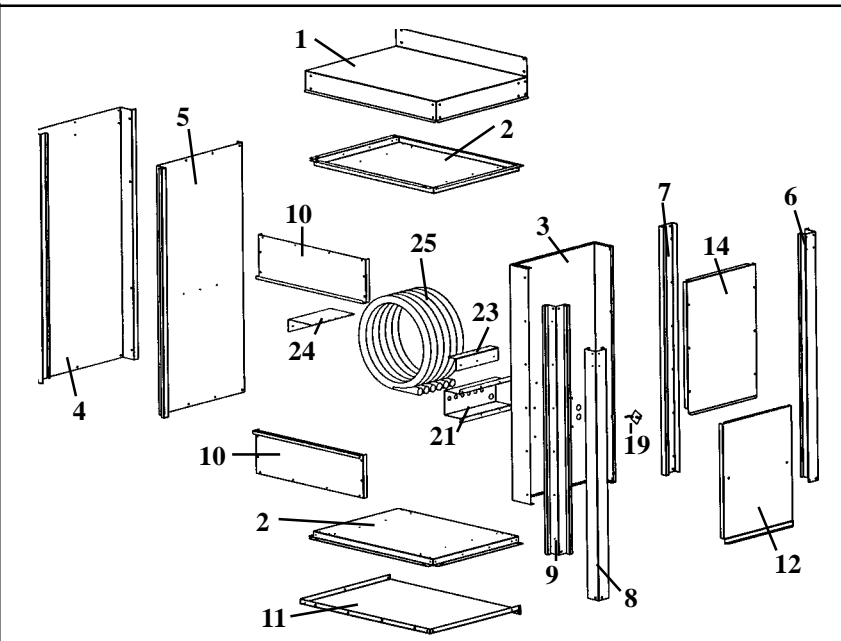
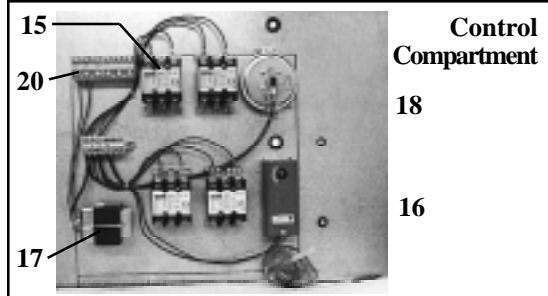
Size		3	4	5
Package P/N	Qty	151623	151624	151625
Return Air Access Panel Assembly	1	150900	150896	150904
Downturn Access Panel Assembly	1	151252	151253	151254
Supply Bottom Connector	2	151349	151350	151351
Return Air Bottom Connector	2	151352	151353	151354
Hardware Bag:				
#10 x 1/2" long Sheet Metal Screws	36	11813	11813	11813
Pop Rivet	8	110943	110943	110943
Bulb seal strip 13-13/16" long	2	151016	--	--
Bulb seal strip 12-3/32" long	2	151017	--	--
Bulb seal strip 15-3/8" long	2	--	151014	--
Bulb seal strip 16-19/32" long	2	--	151015	151015
Bulb seal strip 19-5/16" long	2	--	--	151018



Optional Accessories (cont'd)


Electric Pre-Heater Cabinet

Pre-Heater Size/Voltage	Pkg P/N by Size			Same as Opt
	3	4	5	
10KW-230V	158079	158080	158081	PH1
20KW-230V	158082	158083	158084	PH2
30KW-230V	--	158086	158087	PH3
40KW-230V	--	--	158090	PH4
10KW-460V	158091	158092	158093	PH5
20KW-460V	158094	158095	158096	PH6
30KW-460V	--	158098	158099	PH7
40KW-460V	--	--	158102	PH8



Item	Pre-Heater Components	Qty	3	4	5	Item	Pre-Heater Components	Qty	3	4	5	
1	Outer Top Panel	1	157563	157564	157565	16	Freezestat, J/C #A19AAF-20C	1	157688	157688	157688	
2	Inner Bottom/Top Panel	2	157554	157555	157556	17	Transformer, Basler 40VA	1	103498	103498	103498	
3	Control Box	1	157562	157562	157562	18	Pressure Switch, Tridelta FP6605	1	112107	112107	112107	
4	Outer Side Panel	1	157560	157560	157560	19	Sensing Tube Assembly	1	111733	111733	111733	
5	Inner Side Panel	1	157557	157557	157557	20	Terminal Block, KT3	2	144972	144972	144972	
6	Rear Post Cover	1	157569	157569	157569	21	Element Bracket	1	157570	157570	157570	
7	Rear Inner Post	1	157559	157559	157559	22	Top Element Bracket (not shown)	1	157951	157951	157951	
8	Corner Post Outer Cover	1	157561	157561	157561	23	Control Side Element Bracket	1	157950	157950	157950	
9	Corner Post	1	157558	157558	157558	24	Side Element Bracket	1	157947	157948	157949	
10	Front Panel	2	157566	157567	157568	25	Heating Element Assemblies	10KW-230V, #D-184-02	3	158114	158114	158114
11	Outer Bottom Panel	1	157551	157552	157553			20KW-230V, #D-184-08	3	31836	31836	31836
12	Control Access Door (with latches)	1	157697	157697	157697			30KW-230V, #D-184-05	6	--	31832	31832
13	Door Latch Kit #61-99-274-14	2	124067	124067	124067			40KW-230V, #D-184-08	6	--	--	31836
14	Disconnect Panel	1	157571	157571	157571			10KW-460V, #D-184-03	3	158117	158117	158117
15	Contactor, 10/20KW-230/460V Fasco 30/40 KW-230/460V #51140-0317	2 4	40952 40952	40952 40952	40952 40952			20KW-460V, #D-184-09	3	31835	31835	31835
						30KW-460V, #D-184-06	6	--	31834	31834		
						40KW-460V, #D-184-09	6	--	--	31835		

Safety Disconnect Switches



Type	Amp	Volt	P/N	Same as Option
Raintight, non-fusible	30	600	50367	CP7
Raintight, fusible	30	600	50368	CP8
Raintight, fusible	60	240	89932	CP17
Raintight, fusible	100	240	80973	CP18
Raintight, fusible	200	240	91076	CP19
Raintight, fusible	60	600	90974	CP20

Thomas & Betts

©1997 Thomas & Betts Corporation, All rights reserved. Printed in the U.S.A.
 MANUFACTURER OF GAS, OIL, ELECTRIC HEATING AND VENTILATING SYSTEMS