

IMPORTANT

1. Always include complete heater model and serial number so that any specification change can be considered for parts shipment. It can save time and expense.
2. Specifications are subject to change without notice.
3. We reserve the right to substitute functional replacements.
4. Order by Part No.; not Heater Option Designation.

REZNOR *Thomas & Betts*

Model EEDU and HEEDU Duct Furnaces

Parts Form RZ-NA 735 (Version A)
Obsoletes Form 735-4

APPLIES TO: Replacement Parts

Index

Description	Page No.
Burner Orifices	6
Burner Rack and Components	6
Cabinet Parts	3
Condensate Drain Kit	3
Coupling Kits	3
Ductstat	8
Fan Control	8
Flue Collection Box	4
Hanger Kit	3
Heat Exchanger and Components	5
Heat Exchanger Baffles	5
Ignition Controller	7
Limit Control	5
Manifold	6
Pilot	7
Pressure Switch	4
Relay	4
Replacement Parts Tag	2
Serial No. and Rating Plate	1
Transformer	8

REFERENCES:

Replacement Parts/Service Forms

- Form 701, Replacement Pilots
- *Form 702, Replacement Thermostats and Accessories
- *Form 703, Gas Conversion Components and Instructions
- Form 713, Replacement Fan and Limit controls
- *Form 714, Replacement Valves, Electronic Gas Controls, and Maxitrol Gas Control Systems
- *Form CP19, Ignition Conversion (G60PFH-2 to G770NGC-4) Components and Instructions
- Form CP45 - Replacement Pressure Switch Kit

Installation/Operation Form:

Installation/Operation Manual, Form 421


*These items are not in this book.

Replacement Parts Tag

Each unit has a replacement parts tag that includes the Model No. and the Serial No. as well as a list of original common replacement parts. Always provide the full model and serial numbers when ordering replacement parts.

Example of a Rating Plate

The rating plate is located on the cover of the electrical junction box. Find the serial number on the heater rating plate. See page 2 to decode the serial number and model number.

REZNOR			
MERCER, PA. USA 16137			
DUCT FURNACE			
CATEGORY III			
FOR INDUSTRIAL/COMMERCIAL USE ONLY			
ANSI Z83.8 [AA] - [A] CGA 2.6 [AA'] - M [A'] DUCT FURNACE			
MODEL [B] [C]			
SERIAL NO. [D]			
[E] VOLTS [E] PH [E] HZ MAXIMUM TOTAL INPUT [E] AMPS			
TYPE OF GAS: [F] [G]			
ORIFICE SIZE [J] DRILL HAS BEEN FACTORY ADJUSTED			
FOR USE AT [H] FEET [I] METERS OF ALTITUDE			
	SEA LEVEL	ALT. ADJUSTED	
NORMAL INPUT	[R]	[K] BTU/HR.	
OUTPUT CAPACITY	[S]	[L] BTU/HR.	
MINIMUM INPUT (2, M, MV MODELS)	[T]	[M] BTU/HR.	
NORMAL MANIFOLD PRESSURE		[N] IN.W.C.	
MIN. PERMISSIBLE GAS SUPPLY PRESSURE		[O] IN.W.C.	
FOR PURPOSE OF INPUT ADJUSTMENT.			
MAXIMUM THROUGHPUT [P] C.F.M.			
MINIMUM THROUGHPUT [Q] C.F.M.			
CLEARANCES TO COMBUSTIBLE CONSTRUCTION: TOP- 6" , FLUE CONNECTION-6", LEFT SIDE-6", RIGHT SIDE- 6", BOTTOM- 12"			
THIS UNIT MAY BE INSTALLED ON NONCOMBUSTIBLE FLOORS.			
THIS UNIT SHALL BE INSTALLED ON THE POSITIVE PRESSURE SIDE OF THE AIR CIRCULATING BLOWER.			
THIS UNIT MAY BE INSTALLED DOWNSTREAM FROM A REFRIGERATION SYSTEM (USE DRAIN OPTION CS1).			
FOR ALTERNATE INSTALLATIONS USE THE LATEST EDITIONS OF THE APPROPRIATE STANDARD LISTED BELOW:			
FOR AIRCRAFT HANGERS	USE STANDARD ANSI/NFPA 409		
FOR PARKING STRUCTURES	USE STANDARD ANSI/NFPA 88A		
FOR REPAIR GARAGES	USE STANDARD ANSI/NFPA 88B		

Key to Duct Furnace Rating Plate

- | | |
|---|--|
| A = Standard | M = Minimum Input (altitude adjusted) |
| B = Model and Size | N = Normal Manifold Pressure |
| C = Date of Manufacturer | O = Minimum Gas Supply Pressure |
| D = Serial No. | P = Maximum Air Throughput |
| E = Volts/PH/Hz/Amps | Q = Minimum Air Throughput |
| F & G = Natural or Propane Gas | R = Normal Input (sea level) |
| H & I = Altitude | S = Thermal Output (sea level) |
| J = Orifice Drill Size | T = Minimum Input (sea level) |
| K = Normal Input (altitude adjusted) | |
| L = Thermal Output (altitude adjusted) | |

De-Coding a Serial No.

Sample: SAZJ 66 K8 N 12345 MV3

1 | 2 | 3 | 4 | 5 | 6 | 7

1 = Stainless steel heat exchanger (with an aluminized heat exchanger, there is no letter suffix)

2 = Date code (see below)

3 = Pilot code (Reference Form RZ 714)

4 = Valve code (Reference Form RZ 714)

5 = N is natural gas; L is propane gas

6 = Consecutive number

7 = Maxitrol system (optional)

Model No. Decoding

The Model No. consists of the

- Model Designation
- Size
- Series No.

Example:

HEEDU

400

-6

The Series No. which changes when the product line is re-certified (see chart below) is important in the selection of certain replacement parts.

Suffixes to the Model No.

2 = Two Stage Valve

H = High Altitude Orifices

MV = Electronic Modulation

S = Stainless Steel Heat Exchanger

Date of Manufacture - First Element of the Serial Number

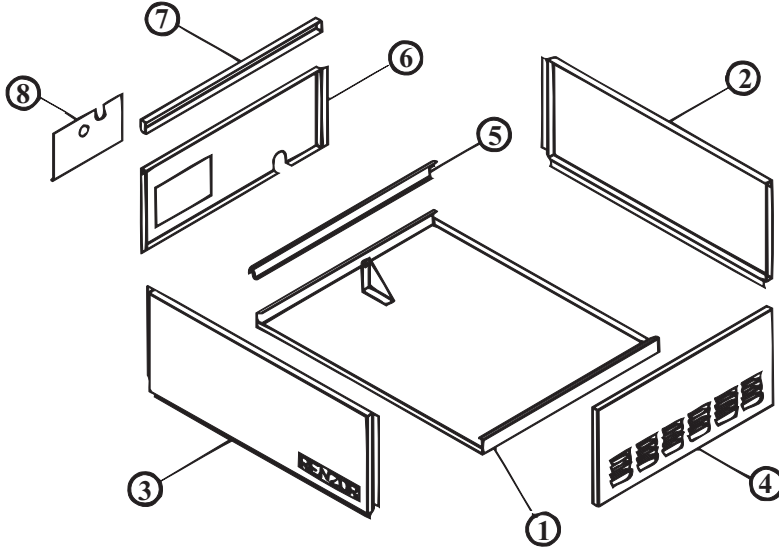
Year	Jan	Feb	Mar	Apr	May	June	July	Aug	Sept	Oct	Nov	Dec
1981	AGA	AGB	AGC	AGD	AGE	AGF	AGG	AGH	AGI	AGJ	AGK	AGL
1982	AHA	AHB	AHC	AHD	AHE	AHF	AHG	AHH	AHI	AHJ	AHK	AHL
1983	AIA	AIB	AIC	AID	AIE	AIF	AIG	AIH	AII	AIJ	AIK	AIL
1984	AJA	AJB	AJC	AJD	AJE	AJF	AJG	AJH	AJI	AJJ	AJK	AJL
1985	AKA	AKB	AKC	AKD	AKE	AKF	AKG	AKH	AKI	AKJ	AKK	AKL
1986	ALA	ALB	ALC	ALD	ALE	ALF	ALG	ALH	ALI	ALJ	ALK	ALL
1987	AMA	AMB	AMC	AMD	AME	AMF	AMG	AMH	AMI	AMJ	AMK	AML
1988	ANA	ANB	ANC	AND	ANE	ANF	ANG	ANH	ANI	ANJ	ANK	ANL
1989	AOA	AOB	AOC	AOD	AOE	AOE	AOG	AOH	AOI	AOJ	AOK	AOL
1990	APA	APB	APC	APD	APE	APF	APG	APH	API	APJ	APK	APL
1991	AOA	AOB	AOC	AOD	AOE	AOE	AOG	AOH	AOI	AOJ	AOK	AOL
1992	ARA	ARB	ARC	ARD	ARE	ARF	ARG	ARH	ARI	ARJ	ARK	ARL
1993	ASA	ASB	ASC	ASD	ASE	ASF	ASG	ASH	ASI	ASJ	ASK	ASL
1994	ATA	ATB	ATC	ATD	ATE	ATF	ATG	ATH	ATI	ATJ	ATK	ATL
1995	AUA	AUB	AUC	AUD	AUE	AUF	AUG	AUH	AUI	AUJ	AUK	AUL
1996	AVA	AVB	AVC	AVD	AVE	AVF	AVG	AVH	AVI	AVJ	AVK	AVL
1997	AWA	AWB	AWC	AWD	AWE	AWF	AWG	AWH	AWI	AWJ	AWK	AWL
1998	AXA	AXB	AXC	AXD	AXE	AXF	AXG	AXH	AXI	AXJ	AXK	AXL
1999	AYA	AYB	AYC	AYD	AYE	AYF	AYG	AYH	AYI	AYJ	AYK	AYL
2000	AZA	AZB	AZC	AZD	AZE	AZF	AZG	AZH	AZI	AZJ	AZK	AZL
2001	BAA	BAB	BAC	BAD	BAE	BAF	BAG	BAH	BAI	BAJ	BAK	BAL
2002	BBA	BBB	BBC	BBD	BBE	BBF	BBG	BBH	BBI	BBJ	BBK	BBL
2003	BCA	BCB	BCC	BCD	BCE	BCF	BCG	BCH	BCI	BCJ	BCK	BCL
2004	BDA	BDB	BDC	BDD	BDE	BDF	BDG	BDH	BDI	BDJ	BDK	BDL
2005	BEA	BEB	BEC	BED	BEE	BEF	BEG	BEH	BEI	BEJ	BEK	BEL
2006	BFA	BFB	BFC	BFD	BFE	BFF	BFG	BFH	BFI	BFJ	BFK	BFL
2007	BGA	BGB	BGC	BGD	BGE	BGF	BGG	BGH	BGI	BGJ	BGK	BGL
2008	BHA	BHB	BHC	BHD	BHE	BHF	BHG	BHH	BHI	BHJ	BHK	BHL
2009	BIA	BIB	BIC	BID	BIE	BIF	BIG	BIH	BII	BIJ	BIK	BIL
2010	BJA	BJB	BJC	BJD	BJE	BJF	BJG	BJH	BJI	BJJ	BJK	BJL
2011	BKA	BKB	BKC	BKD	BKE	BKF	BKG	BKH	BKI	BKJ	BKK	BKL
2012	BLA	BLB	BLC	BLD	BLE	BLF	BLG	BLH	BLI	BLJ	BLK	BLL
2013	BMA	BMB	BMC	BMD	BME	BMF	BMG	BMH	BMI	BMJ	BMK	BML
2014	BNA	BNB	BNC	BND	BNE	BNF	BNG	BNH	BNI	BNJ	BNK	BNL
2015	BOA	BOB	BOC	BOD	BOE	BOF	BOG	BOH	BOI	BOJ	BOK	BOL

Introduction and Recertification Dates

Certification	Testing Agency	Series (see Model No. above)	Date
To ANSI Standards for installatin in the United States	CSA	Introduction (no series no.)	AGE (5/81)
		3	AMI (9/87)
		6	AUK (11/95)
To CGA Standards for installation in Canada	CSA	Introduction (no series no.)	AGE (5/81)
		3	AMI (9/87)
		5	AQK (11/91)
		6	AUK (11/95)

Cabinet Parts, Hanger Kit, Condensate Drain, and Coupling Kits

Cabinet Parts



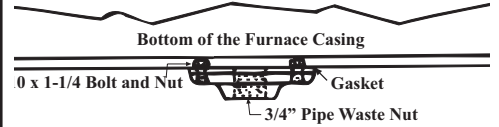
Hanger Kit, P/N 57959, Four Threaded Sockets (Same as Option CK3)

Socket Assembly only, P/N 9557



Free-turning, threaded socket for 1" pipe

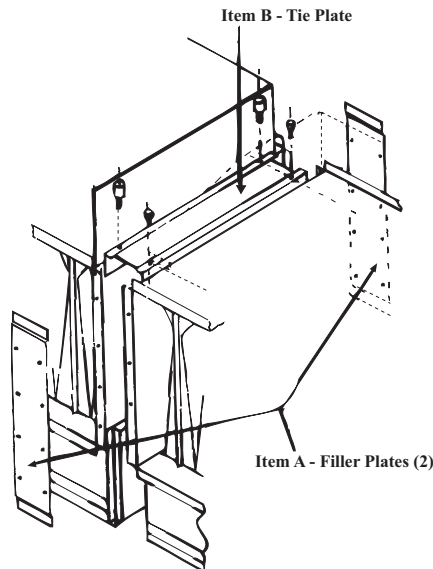
Condensate Drain Kit, P/N 31765 (Same as Option CS1)



Terminate drain outside of the building.

Code	Description	75	100	125	140	170	200	225	250	300	350	400	
1	Bottom Pan	Aluminized Steel	85983	85983	85984	85984	85985	85986	85987	85988	85989	85990	85991
		Stainless Steel	86050	86050	86051	86051	86052	86053	86054	86055	86056	86057	86058
2	Left Side Panel Assy (includes insulation)	Prior to Series 6	64689	55373	55373	55373	55373	55373	55373	55373	55373	55373	55373
		Beginning with Series 6	142099	142080	142080	142080	142080	142080	142080	142080	142080	142080	142080
3	Right Side Panel Assy (includes insulation)	Prior to Series 6	64691	55375	55375	55375	55375	55375	55375	55375	55375	55375	55375
		Beginning with Series 6	142100	142081	142081	142081	142081	142081	142081	142081	142081	142081	142081
4	Bottom Front Panel (Size 75 includes insulation)	64692	55378	55386	55386	55392	55398	55404	55410	55422	55434	55444	
5	Bottom Stiffening Channel	55379	55379	55387	55387	55393	55399	55405	55411	55423	55435	55445	
6	Burner Panel	55506	55506	55507	55507	55508	55509	55510	55511	55512	55513	55514	
7	Bottom Rear Channel	N/A	N/A	N/A	N/A	65074	65075	65076	65077	65078	65079	65080	
8	Rear Cover Plate (aka Ignition Plate Assy)	Prior to Series 6	63162	63162	63162	63162	45737	45737	45737	45737	45737	45737	
		Beginning with Series 6	142053	142053	142053	142053	142054	142054	142054	142054	142054	142054	142054
9	Inner Bottom Panel - Size 75 only ("false bottom" - not illustrated)	64694	N/A	N/A	N/A	N/A	N/A	N/A	N/A	N/A	N/A	N/A	
Painted Side Panel (not illustrated) - Same as panels in Option AZ9		99125	99125	99125	99125	99125	99125	99125	99125	99125	99125	99125	

Coupling Kits for 2, 3, 4, or 5 Furnaces



Coupling Kit, P/N 57963 (Same as Option CR1), for Two Furnaces

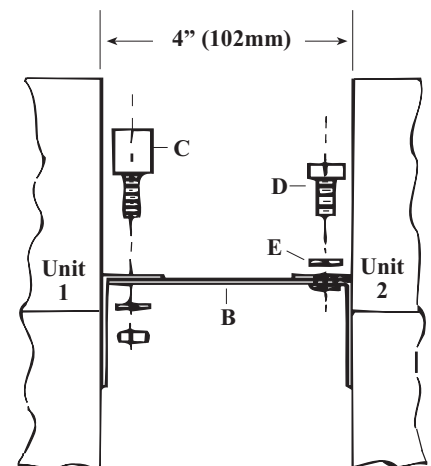
Item	Qty	P/N	Description
A	2	57964	Filler Plate
B	1	57965	Tie Plate
C	2	9557	Threaded Socket Assembly
D	2	5095	3/8-16 x 1-1/4" lg Hex Head Bolts
E	2	5197	Split Ring Lock Washer
F	20	11813	#10 x 1/2" lg Sheetmetal Screws

Additional Kits:

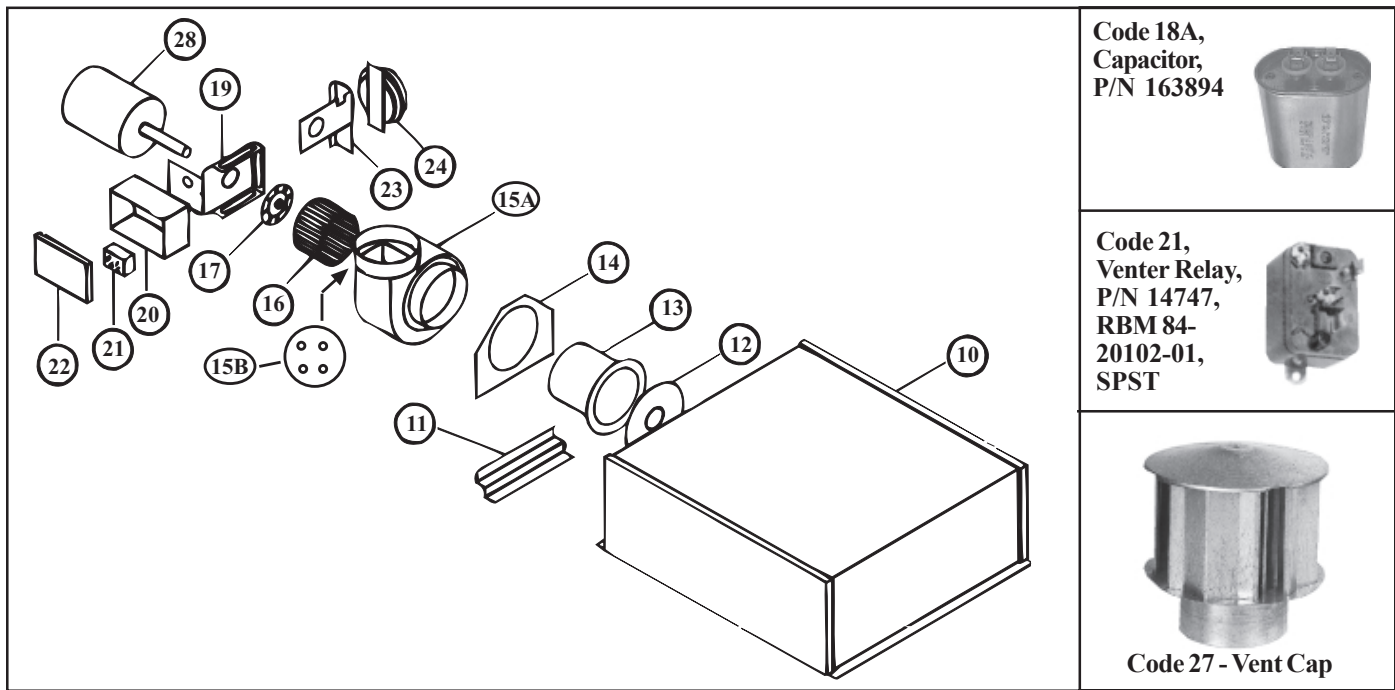
3 Furnaces - P/N 82854 (Option CR2)

4 Furnaces - P/N 82855 (Option CR3)

5 Furnaces - P/N 82856 (Option CR4)

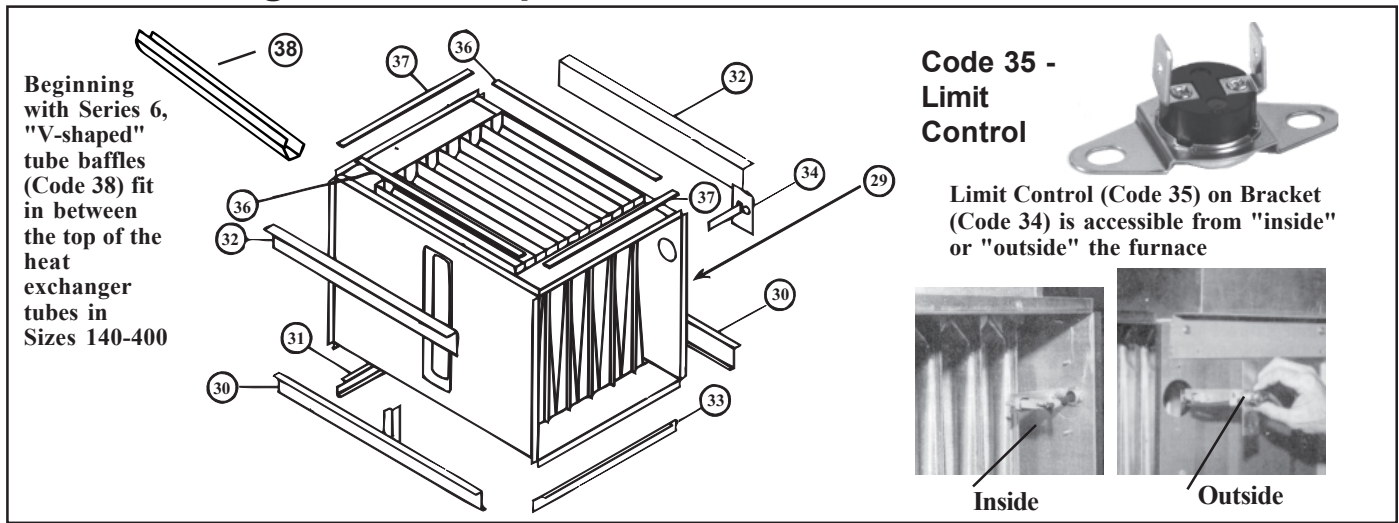


Flue Collection and Venter Assembly



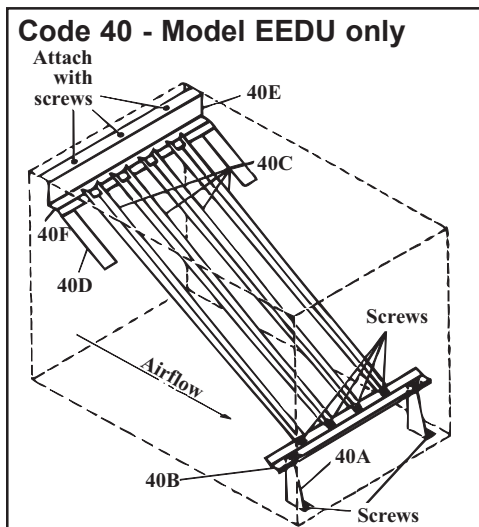
Code	Description	75	100	125	140	170	200	225	250	300	350	400	
10	Flue Collection Box Assembly	Prior to Series 6	63164	63164	61024	61028	61030	61033	61036	61039	61042	61045	61048
		Beginning Series 6	140907	140907	140898	140899	140900	140901	140902	140903	140904	140905	140906
11	Venter Support Angle/Duct Support	63178	63178	63178	63178	63178	63178	63178	63178	63178	63179	63179	63179
12	Orifice Plate	63167	N/A	N/A	N/A	N/A	N/A	N/A	N/A	N/A	N/A	N/A	N/A
13	Exhaust Collar and Pipe Assembly	Prior to Series 6	61051	61051	61051	61051	61051	61051	61054	61054	67880	67880	67880
		Beginning Series 6	61051	61051	61051	61051	61051	61051	61054	143183	67880	67880	143184
14	Venter Support Plate	63110	63110	63110	63110	63110	63110	62545	62545	N/A	N/A	N/A	
15A	Blower Housing (includes housing & collars)	61064	61064	61064	61064	61064	61064	61072	61072	61075	61075	61075	
15B	Cover Plate	29594	29594	29594	29594	29594	29594	29594	29594	29597	29597	29597	
16	Venter Wheel, 5/16" bore	29791	29791	29791	29791	29791	29791	29791	29791	29792	29792	29792	
		Torrington AA326-215-1											
17	Venter Fan Blade " RHF	29793	29793	29793	29793	29793	29793	29793	29793	29793	29793	29793	
18A	Capacitor	N/A	N/A	N/A	N/A	N/A	N/A	N/A	N/A	N/A	163894 (replaces 103181)		
18B	Capacitor Boot, Syntex #M-78	N/A	N/A	N/A	N/A	N/A	N/A	N/A	N/A	N/A	103182	103182	103182
19	Venter Junction Box Mounting Bracket	31394	31394	31394	31394	31394	31394	31394	31394	31394	31394	31394	
20	Venter Junction Box	29595	29595	29595	29595	29595	29595	29595	29595	29595	29595	29595	
21	Relay, RBM #84-20102-101	14747	14747	14747	14747	14747	14747	14747	14747	14747	14747	14747	
22	Venter Junction Box Cover	29596	29596	29596	29596	29596	29596	29596	29596	29596	29596	29596	
23	Switch Bracket	61070	61070	61070	61070	61070	61070	61070	61070	61070	61070	61070	
24	Pressure Switch PPS 10174-3040	177634 (to replace P/N 61147, order pressure switch replacement kit, P/N 177633)											
25	Pressure Switch Tubing, Silicone	147904, 7"									177293, 8-1/4"		
26	Fuse 1.6 Amps (C.G.A. prior to 10/89 only)	61541	61541	61541	61541	61541	61541	61541	61541	61541	61541	61541	
27	Vent Terminal Cap	110051 4"	110051 4"	110051 4"	110051 4"	110051 4"	110051 4"	110051 4"	110052 5"	110052 5"	110053 6"	110053 6"	110053 6"
28	Venter Motor	115 volt	61069	61069	61069	61069	61069	61069	61069	61069	87434	87434	87434
		Fasco 7121-4861										Fasco 7162-1775	
		208 volt	30249 (replaces 62814, 208/230V motor) Fasco 7162-0186									30249	30249
230 volt	29571 (replaces 62814, 208/230V motor) Fasco 7162-0158									29571	29571	29571	
Venter Motor and Wheel Assembly (including Codes 16, 17, 19, 20, 22, 23, & 28)		115 volt	63169	63169	63169	63169	63169	63169	63169	63169	63174	63174	63174
		208 volt	64858	64858	64858	64858	64858	64858	64858	64858	64859	64859	64859
		230 volt	64858	64858	64858	64858	64858	64858	64858	64858	64863	64863	64863
Venter Sub-Assembly (complete including Codes above plus 15A&B)		115 volt	65146	65146	65146	65146	65146	65146	65149	65149	65152	65152	65152
		208 volt	65396	65396	65396	65396	65396	65396	65397	65397	65398	65398	65398
		230 volt	65396	65396	65396	65396	65396	65396	65397	65397	65401	65401	65401

Heat Exchanger and Components



Code	Description	(Qty)*	75	100	125	140	170	200	225	250	300	350	400
29	Heat Exchanger	Aluminized Steel	65094	65094	65095	65095	65096	65097	65098	65099	65100	65101	65102
		321 Stainless Steel	59174	59174	59180	59180	59186	59192	59198	59204	59210	59216	59222
		409 Stainless Steel	59137	59137	59141	59141	59144	59147	59150	59153	59156	59159	59162
30	Burner Angle	(2)	55452	55452	55452	55452	55452	55452	55452	55452	55452	55452	
31	Rear Burner Support		54419	54419	45632	45632	45639	45646	45653	45660	45667	45674	45681
32	Hanger Support Angle	(2)	55505	55505	55505	55505	55505	55505	55505	55505	55505	55505	
33	Baffle		54420	5420	46217	46217	46218	46219	46220	46221	46222	46223	46224
34	Limit Control Bracket		63175	63175	63175	63175	63175	63175	63175	63175	63175	63175	
35	Limit Control 36T21	180°F	--	--	45602	45602	45602	45602	45602	45602	45602	45602	45602
		200°F	85449	85449	--	--	--	--	--	--	--	--	--
36	Side Gasket Strip Craneglas	(2)	62933	62933	62933	62933	62933	62933	62933	62933	62933	62933	
37	Front and Rear Gasket Strip	(2)	62921	62921	62922	62922	62923	62924	62925	62926	62927	62929	62931
38	Tube Baffles	Beginning with Series 6 (None prior to Series 6)	--	--	--	85727 (5)	85727 (6)	85727 (7)	85727 (8)	85727 (8)	85727 (11)	85727 (13)	85727 (15)
40	Heat Exchanger Baffle Assembly	EEDU only	55094	55094	55095	55095	55519	55096	55520	55097	55539	55540	55541
40A	Baffle Support Bracket	EEDU only	55101 (2)	55101 (2)	55101 (2)	55101 (2)	55101 (2)	55101 (2)	55101 (2)	55101 (2)	55101 (4)	55101 (4)	55101 (4)
40B	Bottom Baffle Support		46478	46478	46484	46484	52497	46489	52498	46494	52499	52500	52501
40C	Finger Baffle		45399 (3)	45399 (3)	45399 (4)	45399 (4)	45399 (5)	45399 (6)	45399 (7)	45399 (8)	45399 (10)	45399 (12)	45399 (14)
40D	Side Finger Baffle		(2)	55128	55128	55128	55128	55128	55128	55128	55128	55128	55128
40E	Rear Top Baffle Support	EEDU & HEEDU	55103	55103	55104	55104	55105	55106	55107	55108	55109	55111	55113
40F	Rear Top Baffle	EEDU & HEEDU	55116	55116	55117	55117	55118	55119	55120	55121	55122	55124	55126

*Quantity other than one is in parenthesis; quantities at the beginning of the row apply to all sizes.



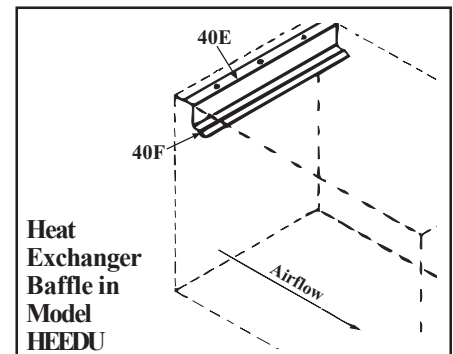
Code 40 -- Heat Exchanger Baffle Assembly

All Model EEDU units are equipped with a heat exchanger directional air baffle assembly as illustrated.

When replacing a heat exchanger, check to see if the baffle assembly can be salvaged. If the baffle assembly cannot be salvaged, it will be necessary to order and install a replacement. The heat exchanger baffle assembly (Code 40) for Model EEDU furnaces includes Codes 40A, B, C, D, E, F.

Model HEEDU units are equipped with only a rear top baffle support (Code 40E) and a rear top baffle (Code 40F). If these parts cannot be salvaged, order and install replacements.

These parts cannot be installed in the replacement heat exchanger at the factory. They must be ordered separately and installed in the field.



Burner Rack and Components

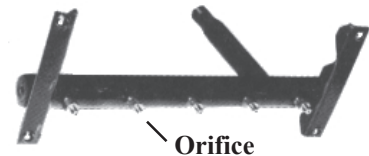
Code	Description		75	100	125	140	170	200	225	250	300	350	400	
43	Burner Rack with shutters	Aluminized Steel	Prior to Series 6	81063	81063	81064	81064	81065	81066	81067	81068	81069	81070	81071
		Stainless Steel		81052	81052	81053	81053	81054	81055	81056	81057	81058	81059	81060
	Burner Rack with shutters	Aluminized Steel	Beginning with Series 6	150443	150444	150445	150446	150447	150448	150449	150450	150451	150452	150453
		Stainless Steel		150454	150455	150456	150457	150458	150459	150460	150461	150462	150463	150464
46	Manifold (less orifices)		84764	84764	84765	84765	84766	84767	84768	84770	84771	84772	84773	
47	Manifold with Natural Gas Orifices (sea level)		80922	80923	47224	47225	47226	47227	47228	47229	47230	47231	47232	
	Manifold with Propane Gas Orifices (sea level)		80924	80925	65207	65208	65209	65210	65211	65212	65213	65214	65215	
48	Burner only	(Qty)	(4)	(4)	(5)	(5)	(6)	(7)	(8)	(9)	(11)	(13)	(15)	
		Aluminized Steel	85218	85218	85218	85218	85218	85218	85218	85218	85218	85218	85218	85218
		Stainless Steel	87954	87954	87954	87954	87954	87954	87954	87954	87954	87954	87954	87954
49	Carryover Assembly	Prior to Series 6,	63128	63128	63131	63131	63134	63138	N/A	N/A	N/A	N/A	N/A	
	Right Carryover Assembly	qty was 1;	N/A	N/A	N/A	N/A	N/A	N/A	63141	63148	63152	63148	63152	
	Left Carryover Assembly	beginning with	N/A	N/A	N/A	N/A	N/A	N/A	63144	63144	63144	63144	63144	
	Center Carryover Assembly	Series 6, qty is 2.	N/A	N/A	N/A	N/A	N/A	N/A	N/A	N/A	N/A	N/A	63156	63156
50	Burner Air Shutter Assembly		55552	55552	46107	46109	46113	46115	46117	46119	46121	46123	46125	
51	Burner Air Shutter Guide		165684	165684	165685	165685	165686	165687	165688	165689	165690	165691	165692	
52	Burner Orifice	(Qty)	(4)	(4)	(5)	(5)	(6)	(7)	(8)	(9)	(11)	(13)	(15)	
	U.S. and Canada	Natural Gas Sea Level	P/N #45	11792 #41	11792 #41	45870 #38	45870 #38	45870 #38	45870 #38	45871 #39	45871 #39	45871 #39	45871 #39	45871 #39
Canada		Propane Gas Sea Level	P/N Size 1.2mm	61652 1.45mm	61652 1.45mm	61653 1.55mm	61653 1.55mm	61653 1.55mm	61653 1.55mm	61653 1.55mm	9789 #53	9789 #53	9789 #53	9789 #53
	United States	Natural Gas 2001-4500 ft	P/N Size #47	84437 #42	84437 #42	11792 #41	11792 #41	11792 #41	11792 #41	11792 #41	11792 #41	11792 #41	11792 #41	11792 #41
United States		Propane Gas 2001-4500 ft	P/N Size 1.15mm	11834 #54	11834 #54	61652 1.45mm	61652 1.45mm	61652 1.45mm	61652 1.45mm	61652 1.45mm	11834 #54	11834 #54	11834 #54	11834 #54
	United States	Natural Gas 2001-3000 ft	P/N Size #46	84437 #42	84437 #42	45871 #39	45871 #39	45871 #39	45871 #39	87391 #40	87391 #40	87391 #40	87391 #40	87391 #40
United States		Propane Gas 2001-3000 ft	P/N Size #56	11834 #54	11834 #54	9789 #53	9789 #53	9789 #53	9789 #53	9789 #53	11834 #54	11834 #54	11834 #54	11834 #54
	United States	Natural Gas 3001-4000 ft	P/N Size #47	84437 #42	84437 #42	87391 #40	87391 #40	87391 #40	87391 #40	11792 #41	11792 #41	11792 #41	11792 #41	11792 #41
United States		Propane Gas 3001-4000 ft	P/N Size 1.15mm	11834 #54	11834 #54	9789 #53	9789 #53	9789 #53	9789 #53	9789 #53	11834 #54	11834 #54	11834 #54	11834 #54
	United States	Natural Gas 4001-5000 ft	P/N Size #47	84437 #42	84437 #42	11792 #41	11792 #41	11792 #41	11792 #41	11792 #41	11792 #41	11792 #41	11792 #41	11792 #41
United States		Propane Gas 4001-5000 ft	P/N Size 1.15mm	11834 #54	11834 #54	61652 1.45mm	61652 1.45mm	61652 1.45mm	61652 1.45mm	61652 1.45mm	11834 #54	11834 #54	11834 #54	11834 #54
	United States	Natural Gas 5001-6000 ft	P/N Size #47	11828 #43	11828 #43	11792 #41	11792 #41	11792 #41	11792 #41	84437 #42	84437 #42	84437 #42	84437 #42	84437 #42
United States		Propane Gas 5001-6000 ft	P/N Size 1.15mm	97360 1.35mm	97360 1.35mm	61652 1.45mm	61652 1.45mm	61652 1.45mm	61652 1.45mm	61652 1.45mm	11834 #54	11834 #54	11834 #54	11834 #54
	United States	Natural Gas 6001-7000 ft	P/N Size #48	11828 #43	11828 #43	84437 #42	84437 #42	84437 #42	84437 #42	84437 #42	84437 #42	84437 #42	84437 #42	84437 #42
United States		Propane Gas 6001-7000 ft	P/N Size #57	97360 1.35mm	97360 1.35mm	61652 1.45mm	61652 1.45mm	61652 1.45mm	61652 1.45mm	61652 1.45mm	11834 #54	11834 #54	11834 #54	11834 #54
	United States	Natural Gas 7001-8000 ft	P/N Size #48	11833 #44	11833 #44	84437 #42	84437 #42	84437 #42	84437 #42	11828 #43	11828 #43	11828 #43	11828 #43	11828 #43
United States		Propane Gas 7001-8000 ft	P/N Size #57	11830 #55	11830 #55	11834 #54	11834 #54	11834 #54	11834 #54	11834 #54	11834 #54	11834 #54	11834 #54	11834 #54
	United States	Natural Gas 8001-9000 ft	P/N Size #49	11833 #44	11833 #44	11828 #43	11828 #43	11828 #43	11828 #43	11828 #43	11828 #43	11828 #43	11828 #43	11828 #43
United States		Propane Gas 8001-9000 ft	P/N Size #57	11830 #55	11830 #55	11834 #54	11834 #54	11834 #54	11834 #54	11834 #54	11834 #54	11834 #54	11834 #54	11834 #54

Code 43 - Burner Rack

Burner Air Shutters



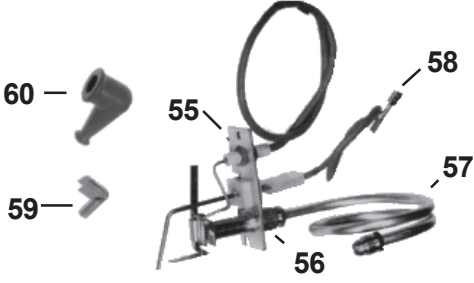
Code 47 -- Manifold with Orifices (Code 46 less Orifices)



Code 48 - Burner only

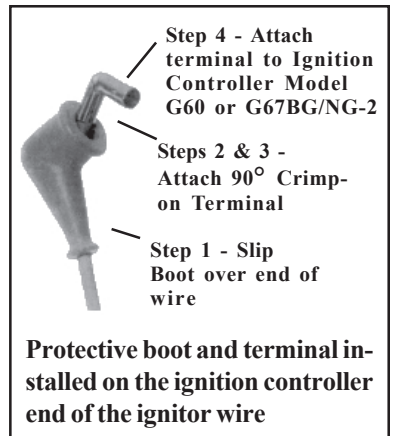


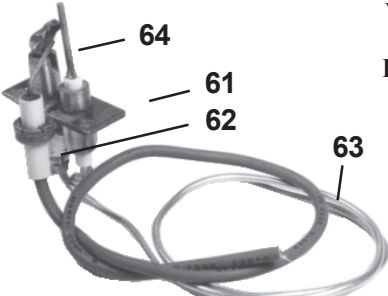
Pilots and Ignition Controllers

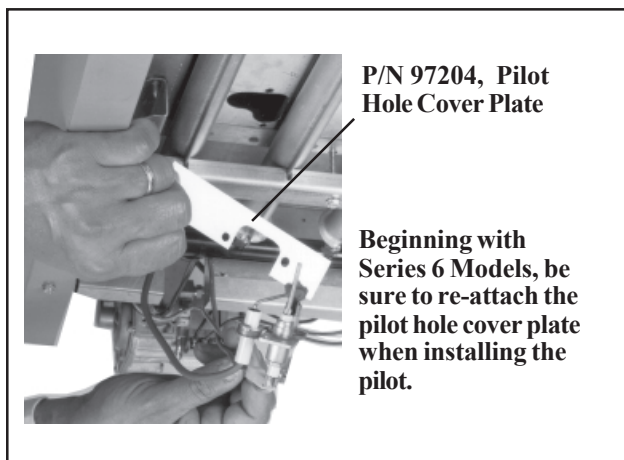
Horizontal Spark Pilot - Prior to Series 6		Code	P/N	Component Description
 <p>P/N 110861 - Complete Replacement Pilot Kit for Horizontal, Natural Gas, Spark Pilot P/N 110862 - Complete Replacement Pilot Kit for Horizontal, Propane Gas, Spark Pilot</p>	55	61145	Pilot Assembly, Natural Gas, with orifice, less pilot tubing and less flame sensor lead; Baso J992HXW7221	
		61146	Pilot Assembly, Propane Gas, with orifice, less pilot tubing and less flame sensor lead; Baso #J992HXW4209	
	56	63088	Orifice only, Natural Gas (7221)	
		37801	Orifice only, Propane Gas (4209)	
	57	5145	Pilot Tubing, 22" long	
		9664	Nut with breakaway ferrule (2 required when replacing pilot tubing)	
58	50450	Flame Sensor Lead, 16"		
59	112647	Crimp-on 90° Rajah terminal connector	May not be used; see below.	
60	112648	90° Boot Terminal Protector		

Instructions for connecting ignitor lead in replacement spark pilots above to Model G60 or G67BG/NG-2 Ignition Controllers (Not applicable to ignition controllers G67BG-5 or G770NGC-4; Items 59 and 60 are not used when installing replacement pilot on heaters with these controllers.):



1. Identify the ignitor wire attached to the pilot electrode. Slip the 90° protective boot on to the wire as illustrated.
2. On the "open" leg of the 90° crimp-on terminal (P/N 112647), locate a flat, triangular spike tab pre-punched in the metal. With the tip of a small, straight screwdriver, force the spike tab toward the inside of the connector. Straighten the tab to a vertical position.
3. Insert the ignitor wire into that same connector leg (just to the 90° bend) and push the wire on to the protruding spike tab, making sure that the tab penetrates the insulation. (Do not strip the ignitor wire.) Using a crimping tool or pliers, squeeze the sides of the terminal to form a "C" shape. The ignitor wire should now be firmly held by the terminal.
4. Slide the protective boot over the terminal. Holding the boot, attach the 90° Rajah terminal to the ignitor lead Rajah connector on the Model G60 or G67BG/NG-2 ignition controller.



Vertical Spark Pilot - Beginning with Series 6		Code	P/N	Component Description
 <p>P/N 110853 - Complete Replacement Pilot Kit for Vertical, Natural Gas, Spark Pilot P/N 110854 - Complete Replacement Pilot Kit for Vertical, Propane Gas, Spark Pilot</p>	61	97534	Pilot Assembly, Natural Gas, with orifice, less pilot tubing and less flame sensor lead; Johnson #J982HKW-9731-715	
		97535	Pilot Assembly, Propane Gas, with orifice, less pilot tubing and less flame sensor lead; Johnson #J982HKW-9733-410	
	62	103034	Orifice only, Natural Gas, Johnson #9731-715 (brass)	
		98695	Orifice only, Propane Gas, Johnson #9733-410 (black)	
	63	98698	Pilot Tubing, Johnson #B10499-995-11, 1/8" O.D. x 18" long	
		97572	Compression Fitting, #FTG75 (2 required)	
64	98697	Flame Rod, Johnson #Y75AA-3		
65	97575	Flame Sensor Lead, 21" (not illustrated)		



Ignition Controllers

<p>Ignition Controller for Intermittent Spark Pilot System without Lockout, G67BG-5, P/N 97782</p> 	<p>Ignition Controller with Lockout, G770NGC-4, P/N 97547</p> 
--	--

Other Components

Fan Control and Gasket Kit, P/N 57960 (Same as Option CQ1)

Components:

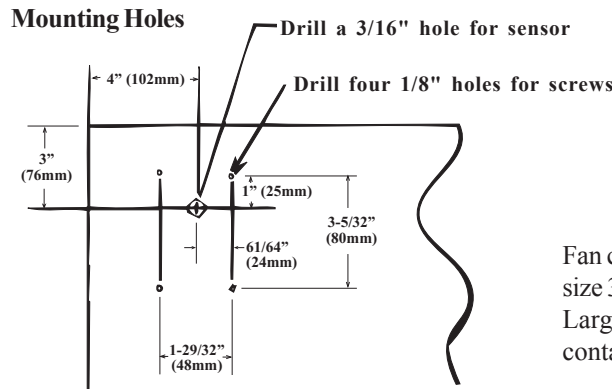
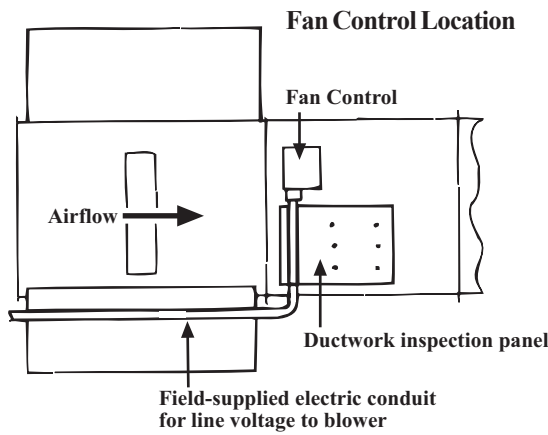
Fan Control, Honeywell Model L4064A1347 - P/N 147611

Gasket, #1621 - P/N 57962

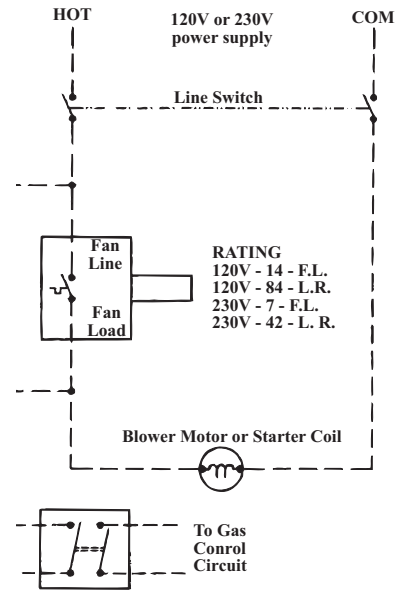
Recommended dial setting for most conditions is 130°F ON and 100°F OFF



May be used as a functional replacement for Columbus Electric fan control used on EEDU Series prior to 6/96.



Fan Control Wiring (W.D. 145977)



Fan control is rated for maximum motor size 3/4 HP, 1Ph @ 115 or 230 VAC. Larger motors or 3 Ph require use of contactor or starter.

DPST Control Switch, P/N 101902 (used in Gas Control Options AG3, AG8, AG9, AG15 and AG16)



Two-Stage Ductstat, P/N 41700, Honeywell (Used in Option AG3)

Bulb Holder, P/N 100260
Cable Strap, P/N 16227

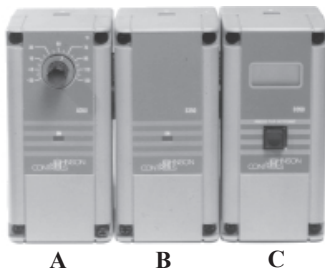
NOTE: If P/N 41700 is Essex brand, the bulb holder is P/N 104156



Control Transformer



P/N 103355, 115/24/40VA, Basler #BE141650-WAA (replaces P/N 60368);
P/N 103497, 208/230/24/40VA, Basler #BE21539001 (replaces P/N 60369);
P/N 103498, 460/24/40VA, Basler #BE23975001 (replaces P/N 60370)



Two-Stage Electronic Ductstat Modules (Used in Options AG 15 and 16)

A = Temperature Selector, P/N 115848, J/C A350A-1C
B = Stage Adder Module, P/N 115849, J/C S350AA-1C
C = Display Module, P/N 115852, J/C D350AA-1C

Ductstat Sensor Holder, P/N 115850

Ductstat Sensor P/N 115851



P/N 134170, Maxitrol A200 Signal Conditioner (used in Gas Control Option AG21)

