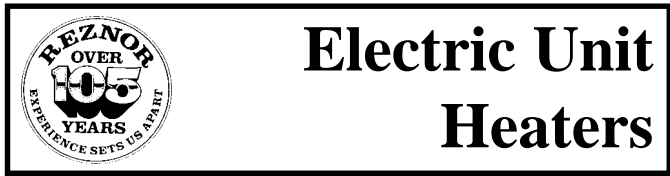


IMPORTANT

1. Always include complete heater model and serial number so that any specification change can be considered for parts shipment. It can save time and expense.
2. Specifications are subject to change without notice.
3. We reserve the right to substitute functional replacements.
4. Order by Part No. ; do not order by Option No.



Parts/Service Form RGM 725-3
 Obsoletes Form 725-2 and 728-1


REZNOR *Thomas & Betts*

APPLIES TO: Models AEUH and EUH

WARNING: Selection of replacement parts from this manual and all servicing to Reznor® products must be done by a Reznor Distributor or other qualified person. Improper selection or servicing could result in severe personal injury, death or property damage. Thomas & Betts Corporation will accept no responsibility or liability as a result of improper servicing of Reznor® products.

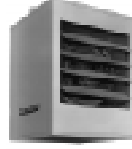

Model No. and Serial No. Identification

Model AEUH - Electric Unit Heaters 3-12 KW

	Model No.	AEUH	5	1	24
			kw	Phase	Volt
	Serial No.	APL	005	656	
		Date Code	kw	Consecutive No.	

AEUH

Model EUH - Electric Unit Heaters 15-60 KW

		Model No.	EUH	15	1	24	A
				kw	Phase	Volt	Series
		Serial No.	APL	015	654		
			Date Code	kw	Consecutive No.		

EUH 15-30KW EUH 35-60KW

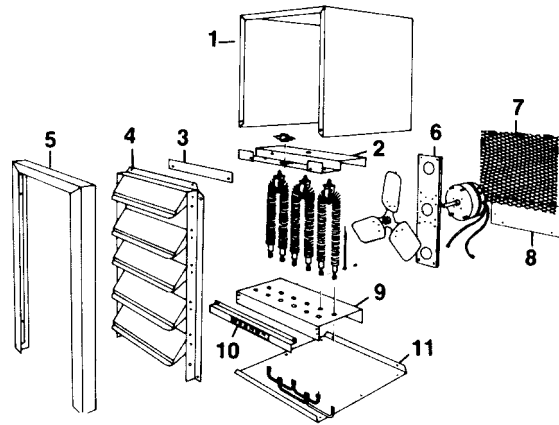
First Element of the Serial Number - Date of Manufacture

Year	Jan	Feb	Mar	Apr	May	June	July	Aug	Sept	Oct	Nov	Dec
1975	AAA	AAB	AAC	AAD	AAE	AAF	AAG	AAH	AAI	AAJ	AAK	AAL
1976	ABA	ABB	ABC	ABD	ABE	ABF	ABG	ABH	ABI	ABJ	ABK	ABL
1977	ACA	ACB	ACC	ACD	ACE	ACF	ACG	ACH	ACI	ACJ	ACK	ACL
1978	ADA	ADB	ADC	ADD	ADE	ADF	ADG	ADH	ADI	ADJ	ADK	ADL
1979	AEA	AEB	AEC	AED	AEE	AEF	AEG	AEH	AEI	AEJ	AEK	AEL
1980	AFA	AFB	AFC	AFD	AFE	AFF	AFG	AFH	AFI	AFJ	AFK	AFL
1981	AGA	AGB	AGC	AGD	AGE	AGF	AGG	AGH	AGI	AGJ	AGK	AGL
1982	AHA	AHB	AHC	AHD	AHE	AHF	AHG	AHH	AHI	AHJ	AHK	AHL
1983	AIA	AIB	AIC	AID	AIE	AIF	AIG	AIH	AII	AIJ	AIK	AIL
1984	AJA	AJB	AJC	AJD	AJE	AJF	AJG	AJH	AJI	AJJ	AJK	AJL
1985	AKA	AKB	AKC	AKD	AKE	AKF	AKG	AKH	AKI	AKJ	AKK	AKL
1986	ALA	ALB	ALC	ALD	ALE	ALF	ALG	ALH	ALI	ALJ	ALK	ALL
1987	AMA	AMB	AMC	AMD	AME	AMF	AMG	AMH	AMI	AMJ	AMK	AML
1988	ANA	ANB	ANC	AND	ANE	ANF	ANG	ANH	ANI	ANJ	ANK	ANL
1989	AOA	AOB	AOC	AOD	AOE	AOE	AOG	AOH	AOI	AOJ	AOK	AOL
1990	APA	APB	APC	APD	APE	APF	APG	APH	API	APJ	APK	APL
1991	AQA	AQB	AQC	AQD	AQE	AQF	AQG	AQH	AQI	AQJ	AQK	AQL
1992	ARA	ARB	ARC	ARD	ARE	ARF	ARG	ARH	ARI	ARJ	ARK	ARL
1993	ASA	ASB	ASC	ASD	ASE	ASF	ASG	ASH	ASI	ASJ	ASK	ASL
1994	ATA	ATB	ATC	ATD	ATE	ATF	ATG	ATH	ATI	ATJ	ATK	ATL
1995	AUA	AUB	AUC	AUD	AUE	AUF	AUG	AUH	AUI	AUJ	AUK	AUL
1996	AVA	AVB	AVC	AVD	AVE	AVF	AVG	AVH	AVI	AVJ	AVK	AVL
1997	AWA	AWB	AWC	AWD	AWE	AWF	AWG	AWH	AWI	AWJ	AWK	AWL
1998	AXA	AXB	AXC	AXD	AXE	AXF	AXG	AXH	AXI	AXJ	AXK	AXL
1999	AYA	AYB	AYC	AYD	AYE	AYF	AYG	AYH	AYI	AYJ	AYK	AYL
2000	AZA	AZB	AZC	AZD	AZE	AZF	AZG	AZH	AZI	AZJ	AZK	AZL
2001	BAA	BAB	BAC	BAD	BAE	BAF	BAG	BAH	BAI	BAJ	BAK	BAL
2002	BBA	BBB	BBC	BBD	BBE	BBF	BBG	BBH	BBI	BBJ	BBK	BBL
2003	BCA	BCB	BCC	BCD	BCE	BCF	BCG	BCH	BCI	BCJ	BCK	BCL
2004	BDA	BDB	BDC	BDD	BDE	BDF	BDG	BDH	BDI	BDJ	BDK	BDL
2005	BEA	BEB	BEC	BED	BEE	BEF	BEG	BEH	BEI	BEJ	BEK	BEL
2006	BFA	BFB	BFC	BFD	BFE	BFF	BFG	BFH	BFI	BFJ	BFK	BFL
2007	BGA	BGB	BGC	BGD	BGE	BGF	BGG	BGH	BGI	BGJ	BGK	BGL
2008	BHA	BHB	BHC	BHD	BHE	BHF	BHG	BHH	BHI	BHJ	BHK	BHL
2009	BIA	BIB	BIC	BID	BIE	BIF	BIG	BIH	BII	BIJ	BIK	BIL
2010	BJA	BJB	BJC	BJD	BJE	BJF	BJG	BJH	BJI	BJJ	BJK	BJL
2011	BKA	BKB	BKC	BKD	BKE	BKF	BKG	BKH	BKI	BKJ	BKK	BKL
2012	BLA	BLB	BLC	BLD	BLE	BLF	BLG	BLH	BLI	BLJ	BLK	BLL
2013	BMA	BMB	BMC	BMD	BME	BMF	BMG	BMH	BMI	BMJ	BMK	BML
2014	BNA	BNB	BNC	BND	BNE	BNF	BNG	BNH	BNI	BNJ	BNK	BNL
2015	BOA	BOB	BOC	BOD	BOE	BOF	BOG	BOH	BOI	BOJ	BOK	BOL

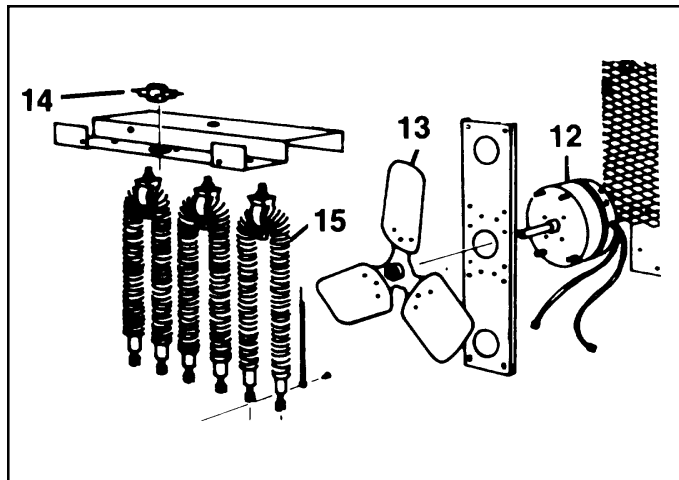
Model AEUH - Replacement Parts (Quantity is one unless noted in parenthesis)



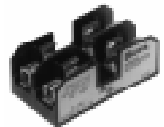


Cabinet Parts - All AEUH Models

Code	Description	P/N
1	Casing Top and Sides	45569
2	Top Element Mount	45524
3	Access Strip	45539
4	Louver Frame Assembly	45551
5	Trim Frame Assembly	45553
6	Motor Mount	45525
7	Air Intake Grill	45557
8	Panel cover	45558
9	Bottom Element Mount	45507
10	Bottom Frame Assembly	45554
11	Casing Bottom	45570



Electrical Components



 <p>Code 16 - Transformer; P/N 46598, 480 to 240V, .25 KVA</p>	 <p>Code 17 - Contactor; P/N 46274</p> <p>(Effective 1/92 - Cutler-Hammer #C25DNF240B)</p>	
 <p>Code 18 - Fuse Block; P/N 41289</p>	 <p>Code 19 - Time Delay Fuse; P/N 46287</p>	 <p>Connectron #NFT111</p> <p>Code 20 - Terminal Block; P/N 31875</p>

Code	Description	AEUH-3			AEUH-5			AEUH-7			AEUH-10			AEUH-12	
		1-24	3-24	3-48	1-24	3-24	3-48	1-24	3-24	3-48	1-24	3-24	3-48	3-24	3-48
12	Motor	103450	103450	103450	103450	103450	103450	103450	103450	103450	103450	103450	103450	103450	103450
A. O. Smith #326P186, 1/20 HP, 230V, 3/8" shaft, Open															
13	Fan Blade, 3/8" shaft	45529 12-25	45529 12-25	45529 12-25	45530 12-28	45530 12-28	45630 12-28	45531 12-31	45531 12-31	45531 12-31	45532 12-34	45532 12-34	45532 12-34	45532 12-34	45532 12-34
14	Limit Control	45534 (120°F)	45534 (120°F)	45534 (120°F)	45535 (140°F)	45535 (140°F)	45535 (140°F)	45536 (170°F)	45536 (170°F)	45536 (170°F)	45537 (210°F)	45537 (210°F)	45537 (210°F)	45538 (230°F)	45538 (230°F)
15	Elements	(3) 45512 1KW 240V	(3) 45512 1KW 240V	(3) 46317 1KW 480V	(3) 45515 1KW 240V	(3) 45515 1KW 240V	(3) 46318 1KW 480V	(3) 45518 2.33KW 240V	(3) 45518 2.33KW 240V	(3) 46319 2.33KW 480V	(6) 45515 1KW 240V	(6) 45515 1KW 240V	(6) 46318 1KW 480V	(6) 45509 2KW 240V	(6) 46320 2KW 480V
16	Transformer	N/A	N/A	46598	N/A	N/A	46598	N/A	N/A	46598	N/A	N/A	46598	N/A	46598
17	Contactor	N/A	46274	46274	46274	46274	46274	46292	46274	46274	46292	46274	46274	46274	46274
18	Fuse Block	N/A	N/A	N/A	N/A	N/A	N/A	41289	N/A	N/A	41289	N/A	N/A	41289	N/A
19	Time Delay Fuse	N/A	N/A	N/A	N/A	N/A	N/A	(2) 46287	N/A	N/A	(2) 46287	N/A	N/A	(2) 46287	N/A
20	Terminal Block	N/A	N/A	31875	N/A	N/A	31875	31875	31875	31875	31875	31875	31875	31875	31875

AEUH Optional Equipment - Order by Replacement P/N; NOT Heater Option No.

Fan Time Delay Switch package, P/N 46385, same as Option CQ2
 For all sizes. Prevents circulation of cold air on startup. Purges residual heat on shutdown. Replacement switch only is P/N 46386, TI #60000A4 (24V coil)

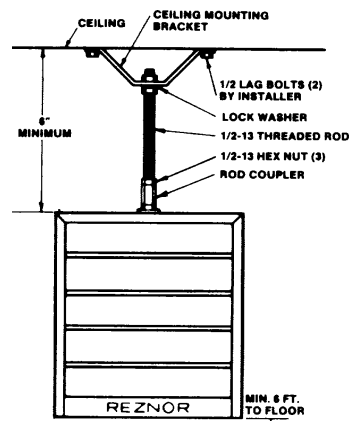
Thermostat, P/N 36392, same as Option CL5
 M/H #T4051A1003 electric heat thermostat, 120/240 line voltage, magnetic switch, full load amps - 16 @ 240V, 8 @ 120V. Range 50°-80°F.

Internal Thermostat in fan air inlet, controls discharge temperature, P/N 46362, same as Option CL12
 For all Models except AEUH 5-1-24.

Internal thermostat for AEUH 5-1-24 only, P/N 46360, same as Option CL16.

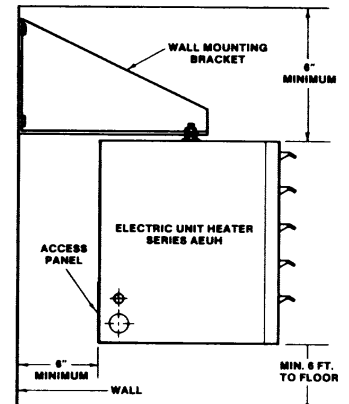
Summer Fan Switch Package, P/N 46389, same as Option CH1
 For all sizes. Provides summer air circulation. Replacement switch only is P/N 101901, Cutler Hammer #7505K6. Option CH1 includes Option CQ2 Fan Time Delay Switch (P/N 43685)

P/N 46356, same as Option CK4 - Ceiling type mounting bracket for all sizes.



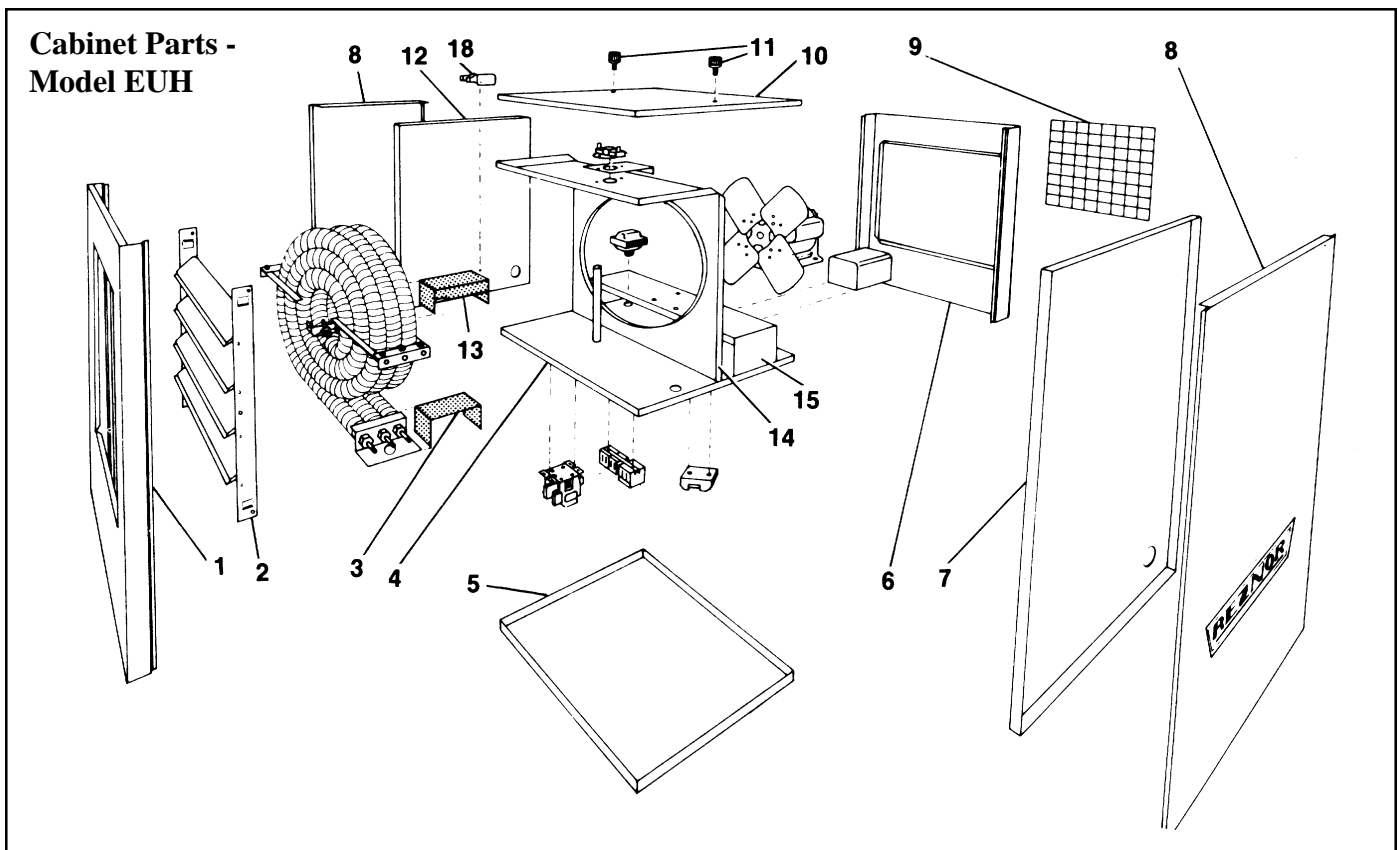
Ceiling Mounting Kit

P/N 46354, same as Option CK5 - Wall type mounting bracket for all sizes.



Wall Mounting Kit

Model EUH - Replacement Parts (Quantity is one unless noted in parenthesis)



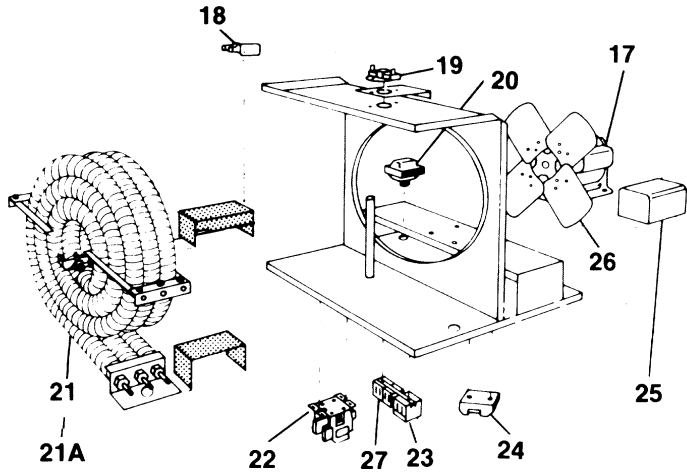
Code No.	Description	EUH 15-30 P/N	EUH 35-60 P/N	Code No.	Description	EUH 15-30 P/N	EUH 35-60 P/N
1	Front Casing panel	31805	(2)31805	9	Fan Guard	31816	(2)31816
2	Horizontal Louver Assy	20487	(2)20487	10	Casing Top Panel	31808	31884
3	Element Bracket Cover (bottom)	31813	(2)31813	11	Hanger Connector Assy	(2)17627	(2)17627
4	Inner Bottom Panel	31801	(2)31801	12	Inner Left Side Panel Assy	31852	31852
5	Bottom Casing Panel Assy	37591	37592	13	Element Bracket Cover (center)	31814	(2)31814
6	Casing Rear Panel	31806	(2)31806	14	Fan Partition	31802	(2)31802
7	Right Inner Side Panel Assy	31851	(2)31851	15	Motor Base	31815	(2)31815
8	Casing Side panel Assy	(2)20456	(2)20456	16	Vertical Louvers (not illustrated)	26271	37857

- Same as Option AX3, Field Assembly Required

Model EUH - Replacement Parts (Quantity is one unless noted in parenthesis)

Model EUH - Electrical Components

Code	Description	P/N
17	Fan motor, 1/8HP, 240V, Westinghouse, 1500 RPM, 1/2" shaft, Enclosed Motor - all sizes	40722
18	Time Delay Relay, TI #60200A0-57 - all sizes	40994
19	Limit Control, L125°F, #60T11- all sizes	50417
20	Control Transformer 240/24/40VA, Basler #BE21539001- all sizes	103497
For Model Requirements by P/N, see Table below (qty in parenthesis):		
21	Complete Heating Element Assembly	P/N's & Qty below
21A	Individual Heating Element Assembly	
22	Contactors with 24 volt Holding Coil	
23	Control Terminal Block - Connectron #N3	
24	Fuse Block -- Buss #2811, 480V	41289
	Underwriters #11630-3S	31896
	Underwriters #11560-3C	37934
	Underwriters #11530-3S	37935
25	Transformer, 480-240 Volt .25KVA	11279
	.50 KVA	11100
26	Fan Blade 14 x 22 x 1/2, Lau #F02P14-1425	31878
	14 x 35 x 1/2, Lau #TY-1440	31879
27	Terminal Block Connectron #NFT111	31875
	Connectron #NC3	31886



Code (See above)	EUH 15			EUH 20		EUH 25		EUH 30		EUH 35		EUH 40		EUH 50		EUH 60	
	1-24	3-24	3-48	3-24	3-48	3-24	3-48	3-24	3-48	3-24	3-48	3-24	3-48	3-24	3-48	3-24	3-48
21	31824	31824	31823	31826	31825	31828	31827	31830	31829	31826 Left	31825 Left	(2) 31826	(2) 31825	(2) 31828	(2) 31827	(2) 31830	(2) 31829
										31824 Right	31823 Right						
21A	(3) 31832	(3) 31832	(3) 31834	(3) 31836	(3) 31835	(3) 31838	(3) 31837	(3) 31840	(3) 31839	(3)-Lft 31836	(3)-Lft 31835	(6) 31836	(6) 31835	(6) 31838	(6) 31837	(6) 31840	(6) 31839
										(3)-Rt 31832	(3)-Rt 31834						
22	(2) 40952	(2) 40952	(2) 40952	(2) 40952	(2) 40952	(2) 40952	(2) 40952	(2) 40953	(2) 40952	(2) 40952	(2) 40952	(4) 40952	(4) 40952	(4) 40952	(4) 40952	(4) 40953	(4) 40952
23	(3) 16864	(3) 16864	(3) 16864	(3) 16864	(3) 16864	(3) 16864	(3) 16864	(3) 16864	(3) 16864	(5) 16864	(5) 16864	(5) 16864	(5) 16864	(5) 16864	(5) 16864	(5) 16864	(5) 16864
24	39735	N/A	(2) 41289	(2) 37934	(2) 41289	(2) 37934	(2) 41289	(2) 37934	(2) 41289	(2) 37935	(2) 41289	(4) 37934	(2) 41289	(4) 37934	(2) 41289	(4) 37934	(2) 41289
										(2) 37934			(4) 31896		(4) 31896		(4) 31896
25	N/A	N/A	11279	N/A	11279	N/A	11279	N/A	11279	N/A	11100	N/A	11100	N/A	11100	N/A	11100
26	31878	31878	31878	31878	31879	31879	31879	31879	31879	(2) 31878	(2) 31878	(2) 31879	(2) 31879	(2) 31879	(2) 31879	(2) 31879	(2) 31879
27	31875	31875	31875	31875	31875	31875	31875	31875	31875	31875	31875	31875	31875	31875	31875	31875	31875
										31886	31886	31886	31886	31886	31886	31886	31886

Internal Fuses

Model EUH	Manufacturer's P/N	Qty	Reznor P/N	Model EUH	Manufacturer's P/N	Qty	Reznor P/N	Model EUH	Manufacturer's P/N	Qty	Reznor P/N
15-1-24-A	FRN-R30, 250V	6	31892	30-3-24-A	FRN-R60, 250V	6	31895	50-3-24-A	FRN-R45, 250V	12	31894
15-3-24-A	None	0	--	30-3-48-A	LP-CC-15, 600V	2	40955	50-3-48-A	LP-CC-15, 600V	2	40955
15-3-48-A	LP-CC-15, 600V	2	40955	35-3-24-A	FRN-R30, 250V	6	31892		FRS-R25, 250V	12	31891
20-3-24-A	FRN-R35, 250V	6	31893		FRN-R35, 250V	6	31893	60-3-24-A	FRN-R60, 250V	12	31895
20-3-48-A	LP-CC-15, 600V	2	40955	35-3-48-A	LP-CC-15, 600V	2	40955	60-3-48-A	LP-CC-15, 600V	2	40955
25-3-24-A	FRN-R45, 250V	6	31894	40-3-24-A	FRN-R35, 250V	12	31893		FRS-R30, 600V	12	37799
25-3-48-A	LP-CC-15, 600V	2	40955	40-3-48-A	LP-CC-15, 600V	2	40955				
					FRS-R25, 250V	12	31891				

Thomas & Betts

©1997 Thomas & Betts Corporation, All rights reserved.

Printed in U.S.A.

MANUFACTURER OF GAS, OIL, ELECTRIC HEATING AND VENTILATING SYSTEMS
1097 3.5M YL3798 Form RGM 725-3.4