

IMPORTANT

1. Always include complete heater model and serial number so that any specification change can be considered for parts shipment. It can save you time and expense.
2. Specifications subject to change without notice.
3. We reserve the right to substitute functional replacements.



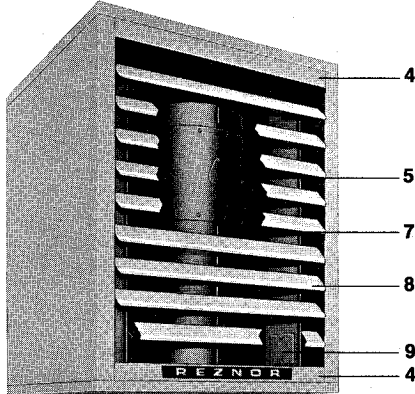
**O.U.H.,
O.U.B.
PARTS**

PARTS FORM 724-2
OBSOLETES FORM 724-1

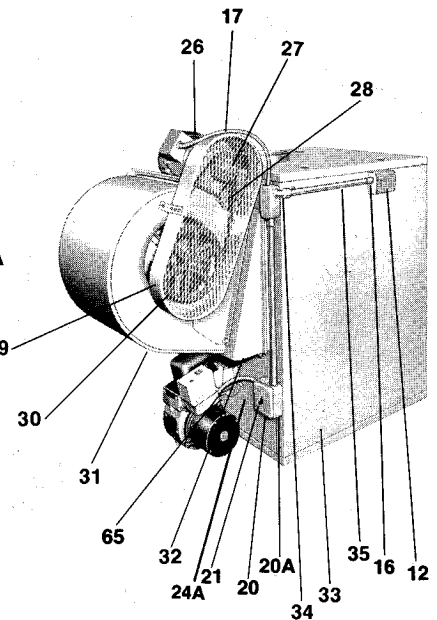
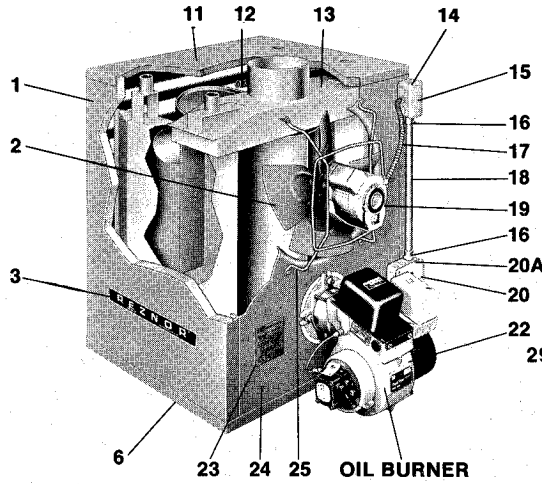
REZNOR® MERCER, PA. 16137

APPLIES TO: OIL FIRED UNIT HEATERS Service Data

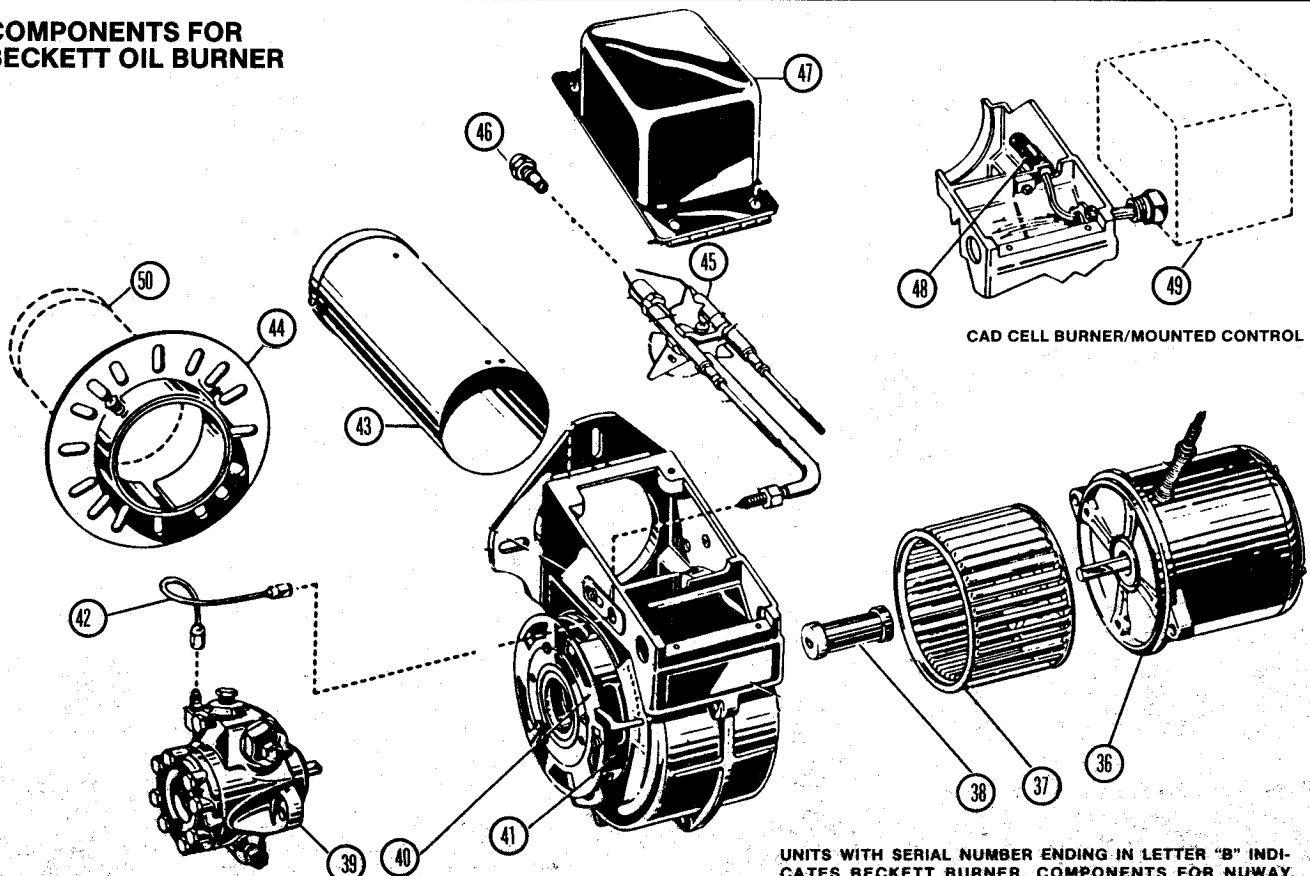
O.U.H.-O.U.B 95-140-185



LINE OF SIGHT
RIGHT
LEFT
FACING FRONT OF UNIT

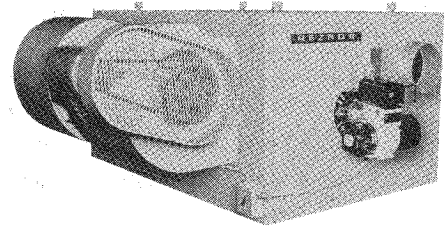
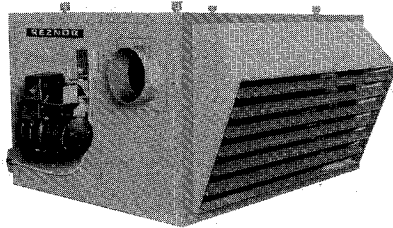
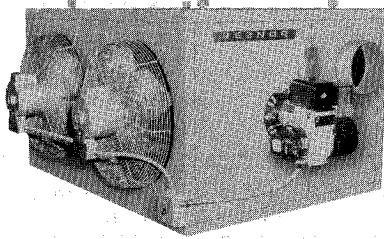


COMPONENTS FOR BECKETT OIL BURNER



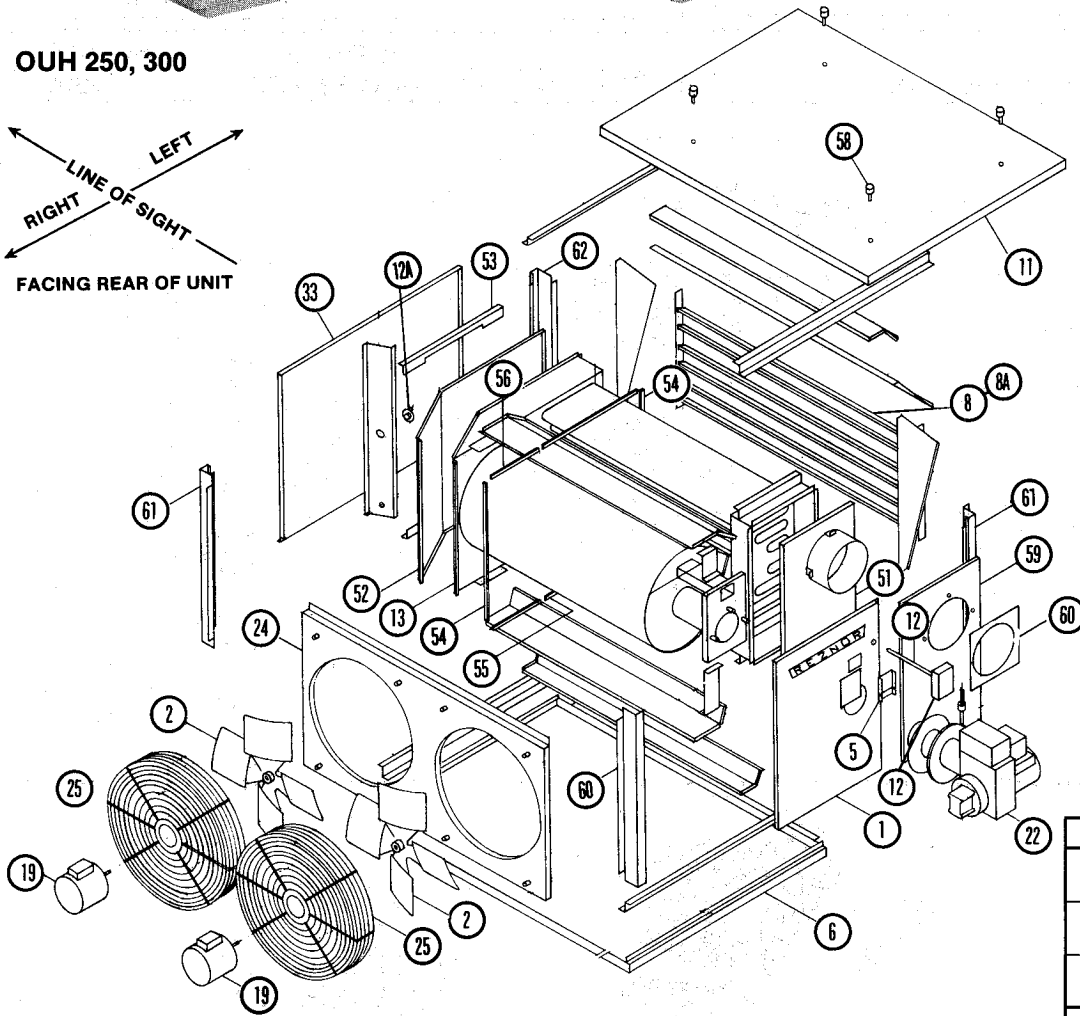
UNITS WITH SERIAL NUMBER ENDING IN LETTER "B" INDICATES BECKETT BURNER. COMPONENTS FOR NUWAY BURNER NOT AVAILABLE.

OUH OUB 250/300



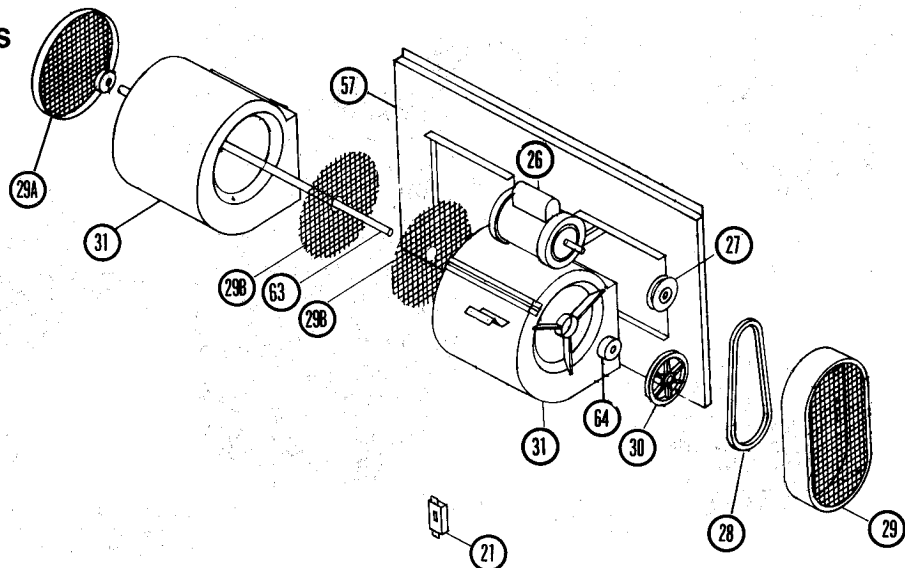
OUH 250, 300

← LINE OF SIGHT
 RIGHT LEFT
 FACING REAR OF UNIT



FOR ROUD, ROUE UNITS	
Venter motor, Fasco 7162-0224, 115	P/N 36860
Venter sail switch JMPO-154	P/N 44043
Limit Control CEMCO TC108-1A	P/N 50186
Contact factory for other components for models OUD, OUE, ROUD, ROUE	

OUB 250-300 BACK PANEL AND BLOWER COMPONENTS



CODE	DESCRIPTION	OUB					OUB				
		95	140	185	250	300	95	140	185	250	300
1	Right Casing Panel	32478	32483	32488	48998	48998	32478	32483	32488	48998	48998
2	Fan Blade	9774 16x36x1/2	12625 18x33x1/2	43211 18x33x1/2	49032(2) 20x31x1/2	49032(2) 20x31x1/2	N/A	← SAME →			N/A
3	Nameplate	9538	← SAME →								9538
4	Top Front or Bottom Front Panel	32375	32375	32375	N/A	N/A	32375	32375	32375	N/A	N/A
5	Inspection Plate	32396	32396	32396	49038	49038	32396	32396	32396	49038	49038
6	Bottom Panel	32499	32502	32504	48992	48992	32499	32502	32504	48992	48992
7	Inspection Plate Gasket	32368	32368	32368	N/A	N/A	32368	32368	32368	N/A	N/A
8	Louvers Only	32374(8)	32374(9)	32374(10)	49190(6)	49190(6)	32374(8)	32374(9)	32374(10)	49190(6)	49190(6)
8A	Horizontal Louver Assembly	32528	32529	32530	49187	49187	32528	32529	32530	49187	49187
8B	★ Vertical Louver Assembly	44350	44353	44355	50755	50755	44350	44353	44355	50755	50755
9	Cleanout Cover	32370	32370	32370	N/A	N/A	32370	32370	32370	N/A	N/A
10	★ Cleanout Cover Gasket	32369	32369	32369	N/A	N/A	32369	32369	32369	N/A	N/A
11	Top Casing Panel	32493	32495	32497	49021	49021	32493	32495	32497	49021	49021
12	Fan & Limit Control	36559	← SAME →								36559
12A	Limit Control, L145	N/A	N/A	N/A	50418	50418	N/A	N/A	N/A	15183	15183
13	Heat Exchanger	32450	32459	32467	51868	51868	32450	32459	32467	51868	51868
14	2x4 Junction Box	17782	17782	17782	N/A	N/A	17782	17782	17782	N/A	N/A
15	2x4 Junction Box Cover (Blank)	17800	17800	17800	N/A	N/A	17800	17800	17800	N/A	N/A
16	1/2" Conduit Connector	36562	36562	36562	N/A	N/A	36562	36562	36562	N/A	N/A
17	3/8 Bx Cable	32512	32512	32512	N/A	N/A	32512	32512	32512	N/A	N/A
18	1/2" Conduit (Vertical)	32517	32517	32517	N/A	N/A	32517	32517	32517	N/A	N/A
19	Fan Motor 115V, 1140 RPM	9775 1/8 HP	16072 1/8 HP	16072 1/8 HP	45890(2) 1/4 HP	45890(2) 1/4 HP	N/A	← SAME →			N/A
20	4x4 Switch Cover Plate	32550	← SAME →								32550
20A	4x4 Junction Box	19210	← SAME →								19210
21	Toggle Switch	32445	32445	32445	51402	51402	32445	32445	32445	51402	51402
22	Beckett Burner 115V. Less Nozzle	41337	41337	41337	49050	49050	41337	41337	41337	49050	49050
23	Rating Plate	32513	46046	46047	48808	48808	32513	46046	46047	48808	48808
24	Fan Back Panel	32475	32476	32477	49000	49000	N/A	← SAME →			N/A
24A	Blower Back Panel	N/A	N/A	N/A	N/A	N/A	39563	39567	39570	N/A	N/A
25	Fan Guard Assembly	49640	49641	49641	49029(2)	49029(2)	N/A	N/A	N/A	N/A	N/A
26	Blower Motor 115V, 1725 RPM	N/A	N/A	N/A	N/A	N/A	13450 1/4 HP	13450 1/4 HP	31273 1/2 HP	49983 3/4 HP	43270 1 HP
27	Motor Pulley	N/A	N/A	N/A	N/A	N/A	4074	4074	7962	7962	7962
28	V-Belt	N/A	N/A	N/A	N/A	N/A	10960 4L370	6183 4L420	6185 4L450	7949 4L390	4087 4L470
29	Belt Guard Assembly	N/A	N/A	N/A	N/A	N/A	42801	42807	42807	42801	42807
29A	Blower Guard Assembly	N/A	← SAME →						N/A	50157	N/A
29B	Blower Guard	N/A	← SAME →			N/A	42809	42810	42810	42809(2)	42810(3)
30	Blower Pulley	N/A	N/A	N/A	N/A	N/A	50457 SAK-603/4"	50458 SAK-80-1"	50459 SAK-90-1"	18797 AK84-1"	19111 AK84-1"
31	Blower	N/A	N/A	N/A	N/A	N/A	36428 A10-10A	36429	36429	36431RH 36430LH	36432RH 36433LH
32	Blower Mounting Plate	N/A	N/A	N/A	N/A	N/A	39577	17449	17449	N/A	N/A
33	Left Casing Panel	32481	32486	32491	48995	48995	32481	32486	32491	48995	48995
34	1/2" Conduit Elbow	41022	41022	41022	N/A	N/A	41022	41022	41022	N/A	N/A
35	1/2" Conduit (Horizontal)	32509	32509	32509	N/A	N/A	32509	32509	32509	N/A	N/A
36	Motor (Burner)	41598	← SAME →								41598
37	Blower Wheel for Burner	41599	← SAME →								41599
38	Coupling	41600	← SAME →								41600
39	Pump 2 Stage	41601	← SAME →								41601
40	② Air Shutter	41593	← SAME →								41593
41	② Air Band	41594	← SAME →								41594
42	② Connector Tube Assembly	41602	← SAME →								41602

N/A = Not Applicable

Number required is one (1) unless otherwise noted in parentheses.

★ = Not Illustrated

② = Not Stocked at Mercer.

CODE	DESCRIPTION	OUH					OUB				
		95	140	185	250	300	95	140	185	250	300
43	①Air Tube	41607	← SAME →								41607
44	①Flange	41595	← SAME →								41595
45	Electrode Assembly	59449	← SAME →								59449
46	Nozzle	32437	32438	41623	49047	49051	32438	32438	41623	49047	49051
47	Transformer	41603	← SAME →								41603
48	Cad Cell Detector	85679	← SAME →								85679
49	Relay Control	41604	← SAME →								41604
50	Retention Head	②45891	③50786	③50786	④50785	⑤51258	②45891	③50786	③50786	④50785	⑤51258
51	Collector Box Cover Assembly	N/A	N/A	N/A	48968	48968	N/A	N/A	N/A	48968	48968
52	Turning Box Cover Assembly	N/A	N/A	N/A	48973	48973	N/A	N/A	N/A	48973	48973
53	Turning Box Support	N/A	N/A	N/A	48978	48978	N/A	N/A	N/A	48978	48978
54	Backup Strip	N/A	N/A	N/A	50238	50238	N/A	N/A	N/A	50238	50238
55	Backup Strip	N/A	N/A	N/A	50239	50239	N/A	N/A	N/A	50239	50239
56	Backup Strip	N/A	N/A	N/A	50240	50240	N/A	N/A	N/A	50240	50240
57	Rear Panel Assembly	N/A	← SAME →					N/A	49002	49011	
58	Hanger Assembly	N/A	N/A	N/A	9557 (4)	9557 (4)	N/A	N/A	N/A	9557 (4)	9557 (4)
59	Right Access Panel Assembly	N/A	N/A	N/A	49036	49036	N/A	N/A	N/A	49036	49036
60	Vent Seal Plate	N/A	N/A	N/A	49055	49055	N/A	N/A	N/A	49055	49055
61	Right Corner Post	N/A	N/A	N/A	49054(2)	49054(2)	N/A	N/A	N/A	49054 (2)	49054 (2)
62	Left Corner Post	N/A	N/A	N/A	49053(2)	49053(2)	N/A	N/A	N/A	49053 (2)	49053(2)
63	Blower Shaft	N/A	← SAME →			N/A	11302 22"x3/4"	11303 22"x1"	11303 22"x1"	50173 42 1/8"x1"	50174 43 1/8"x1"
64	Bearing Sealmaster SRC16	N/A	← SAME →			N/A	7310(2)	10437(2)	10437(2)	10437(2)	10437(2)
65	3/8" BX Cable	32512	32512	32512	N/A	N/A	32512	32512	32512	N/A	N/A
★66	Booster Pump 30GPH	37862	← SAME →								37862
★67	Booster Pump 50GPH	37863	← SAME →								37863
★68	Booster Pump Switch	37864	← SAME →								37864
★69	Draft Regulator 7"	37865	N/A	N/A	N/A	N/A	37865	N/A	N/A	N/A	N/A
★70	Draft Regulator 8"	N/A	37866	37866			N/A	37866	37866		
★71	Shipping Carton OUH	36962	36961	36960	49794	49794	N/A	← SAME →			N/A
★72	Shipping Carton OUB	N/A	← SAME →			N/A	41091	41092	41093	49795	49795
★73	Combustion Air Inlet Kit	40274	← SAME →								40274
★74	Thermostat WR #IC30-339	91919	← SAME →								91919
★75	Thermostat Guard	91926	← SAME →								91926
★76	Oil Safety Valve	50350	← SAME →								50350
★77	Oil Burner Solenoid Valve 115V, 1/8"	43487	← SAME →								43487

N/A = Not Applicable

Number required is one (1) unless otherwise noted in parentheses.

★ = Not illustrated.

- ① = Not Stocked at Mercer.
- ② = Beckett F3 retention head.
- ③ = Beckett F12 retention head.
- ④ = Beckett F22 retention head.
- ⑤ = Beckett F30 retention head.