

**IMPORTANT**

1. Always include complete heater model and serial number so that any specification change can be considered for parts shipment. It can save time and expense.
2. Specifications are subject to change without notice.
3. We reserve the right to substitute functional replacements.
4. Order either by Kit or Component Part No.



Index by Page No.	Fan Model OH	Blower Model OB
Belt Guard	--	4
Blower and Components	--	4
Blower Guard	--	4
Burner Assembly	6	6
Cabinet Parts	2-3	2-4
Draft Booster Relay Kit (Same as Option DH1)	7	7
Draft Regulator	2-3	2-3
Electrode Assembly	6	6
Electrical Boxes & Components	7	7
Fan and Components	3	3
Fan Control/Limit Control Assy	5	5
Gasket (Combustion Chamber/Heat Exchanger)	5	5
Hanger Kit (Same as Option CK10)	7	7
Heat Exchanger/Combustion Chamber Assembly	5	5
Ignition Controller	6	6
Limit Control/Fan Control Assy	5	5
Motor, Blower or Fan	3	4
Motor, Burner	6	6
Nozzle	6	6
Outside Combustion Air Kit (Same as Option DE1)	7	7
Paint	7	7
Pump, Booster (Same as Option DA1)	7	7
Pump, Burner	6	6
Serial No.	1-2	1-2
Stand (Heater Stand Option for Reznor® Fuel Tank Model OT250)	7-8	7-8
Switch, Booster Pump Pressure (Same as Option DF1)	7	7
Switch, Main Control	7	7
Tank, 250-gallon (Model OT250)	7-8	7-8
Thermostat (Same as Option CL1)	7	7
Transformer	6	6
Valve, Safety (Same as Option DC1)	7	7
Valve, Solenoid (Same as Option DD1)	7	7
Vertical Louvers (Same as Option CD1)	7	7

**ADDITIONAL REFERENCES:**

- Installation Form RGM 417, Models OH and OB
- Parts for Reznor® Oil-Fired Models OUH and OUB, Form RGM 724
- Parts for Reznor® Waste Oil-Fired Models RA and RAD, Form RGM 761



# Replacement Parts for Oil-Fired Unit Heaters

Parts Form RGM 723-A  
 Obsoletes Form 723

APPLIES TO: Models OH/OB

## Rating Plate and Serial No.

### Rating Plate

<b>REZNOR®</b>			
MERCER, PA 16137			
<b>OIL FIRED UNIT HEATER</b>			
<b>FOR INDUSTRIAL/COMMERCIAL USE</b>			
<b>FOR USE WITH INTEGRAL GROUP 1 OR 2 PRIMARY SAFETY CONTROLS. OIL NOT HEAVIER THAN NO. 2.</b>			
<b>MODEL OH 140</b>			
<b>SERIAL #AWK140-789B</b>			<b>HP</b>
<b>USE COPPER CONDUCTORS ONLY</b>			
<b>115 VOLTS 1PH 60HZ 6.0 AMPS</b>			
<b>MINIMUM CIRCUIT AMPACITY</b>	<b>8 AMPS</b>		
<b>MAXIMUM UNIT FUSE</b>	<b>10 AMPS</b>		
<b>TYPE OF OIL</b>	<b>NO. 2 FUEL</b>		
<b>FIRING RATE</b>	<b>1.25 GPH</b>		
<b>INPUT</b>	<b>170000 BTU/HR</b>		
<b>THERMAL OUTPUT CAPACITY</b>	<b>138000 BTU/HR</b>		
<b>NOZZLE SIZE</b>	<b>1.25 GPH</b>		
<b>NOZZLE SPRAY ANGLE</b>	<b>70 DEGREES TYPE B</b>		
<b>OIL PUMP PRESSURE</b>	<b>100 PSIG</b>		
<b>EXTERNAL STATIC PRESSURE</b>	<b>0.00 IN. W.C.</b>		
<b>THIS UNIT IS FOR INSTALLATION SUSPENDED FROM A CEILING WITH CLEARANCES TO COMBUSTIBLE MATERIALS NOT LESS THAN . . .</b>			
<b>TOP-2"</b>	<b>BOTTOM-6"</b>	<b>SIDES-6"</b>	
<b>REAR-24"</b>	<b>FRONT-48"</b>	<b>FLUE PIPE-9"</b>	
<b>INSTALLATION OF THIS UNIT IN AIRCRAFT HANGARS SHALL BE IN ACCORDANCE WITH ANSI/NFPA 409-1990 STANDARD FOR AIRCRAFT HANGARS. IN PARKING STRUCTURES IN ACCORDANCE WITH ANSI/NFPA 88A-1991 STANDARD FOR PARKING STRUCTURES AND IN REPAIR GARAGES IN ACCORDANCE WITH ANSI/NFPA 88B-1991 STANDARD FOR REPAIR GARAGES.</b>			
<b>THIS UNIT IS NOT FOR USE IN AIR DUCTS.</b>			
<b>THIS UNIT IS NOT FOR USE WITH AIR FILTERS.</b>			

### Serial No.

**Example:**

<b>AWK</b>	<b>140</b>	<b>789</b>	<b>B</b>
<b>1</b>	<b>2</b>	<b>3</b>	<b>4</b>

### Code:

- 1 = Date of manufacture (see chart on page 2)
- 2 = Size (BTUH input)
- 3 = Consecutive number
- 4 = Manufacturing designation for oil-fired Models OH and OB

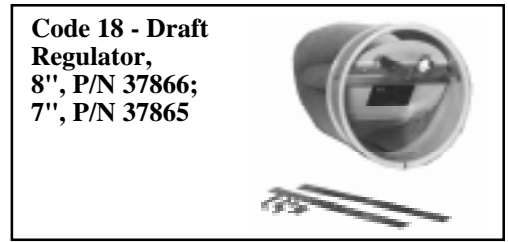
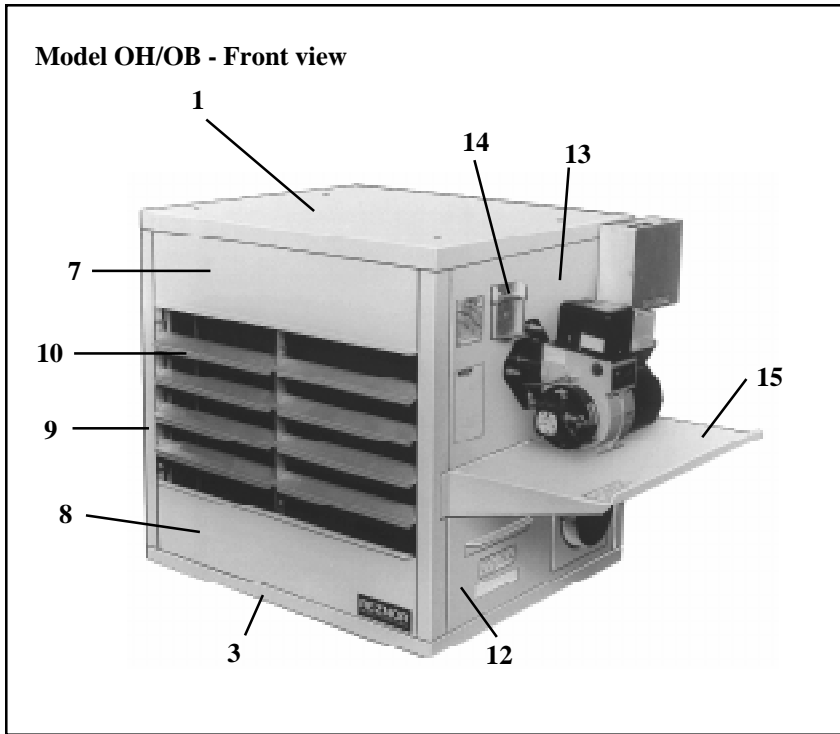
## Rating Plate and Serial No. (cont'd)

### First Element of the Serial Number - Date of Manufacture

Year	Jan	Feb	Mar	Apr	May	June	July	Aug	Sept	Oct	Nov	Dec
1992	ARA	ARB	ARC	ARD	ARE	ARF	ARG	ARH	ARI	ARJ	ARK	ARL
1993	ASA	ASB	ASC	ASD	ASE	ASF	ASG	ASH	ASI	ASJ	ASK	ASL
1994	ATA	ATB	ATC	ATD	ATE	ATF	ATG	ATH	ATI	ATJ	ATK	ATL
1995	AUA	AUB	AUC	AUD	AUE	AUF	AUG	AUH	AUI	AUJ	AUK	AUL
1996	AVA	AVB	AVC	AVD	AVE	AVF	AVG	AVH	AVI	AVJ	AVK	AVL
1997	AWA	AWB	AWC	AWD	AWE	AWF	AWG	AWH	AWI	AWJ	AWK	AWL
1998	AXA	AXB	AXC	AXD	AXE	AXF	AXG	AXH	AXI	AXJ	AXK	AXL
1999	AYA	AYB	AYC	AYD	AYE	AYF	AYG	AYH	AYI	AYJ	AYK	AYL
2000	AZA	AZB	AZC	AZD	AZE	AZF	AZG	AZH	AZI	AZJ	AZK	AZL
2001	BAA	BAB	BAC	BAD	BAE	BAF	BAG	BAH	BAI	BAJ	BAK	BAL
2002	BBA	BBB	BBC	BBD	BBE	BBF	BBG	BBH	BBI	BBJ	BBK	BBL
2003	BCA	BCB	BCC	BCD	BCE	BCF	BCG	BCH	BCI	BCJ	BCK	BCL
2004	BDA	BDB	BDC	BDD	BDE	BDF	BDG	BDH	BDI	BDJ	BDK	BDL
2005	BEA	BEB	BEC	BED	BEE	BEF	BEG	BEH	BEI	BEJ	BEK	BEL
2006	BFA	BFB	BFC	BFD	BFE	BFF	BFG	BFH	BFI	BFJ	BFK	BFL
2007	BGA	BGB	BGC	BGD	BGE	BGF	BGG	BGH	BGI	BGJ	BGK	BGL
2008	BHA	BHB	BHC	BHD	BHE	BHF	BHG	BHH	BHI	BHJ	BHK	BHL
2009	BIA	BIB	BIC	BID	BIE	BIF	BIG	BIH	BII	BIJ	BIK	BIL
2010	BJA	BJB	BJC	BJD	BJE	BJF	BJG	BJH	BJI	BJJ	BJK	BJL
2011	BKA	BKB	BKC	BKD	BKE	BKF	BKG	BKH	BKI	BKJ	BKK	BKL
2012	BLA	BLB	BLC	BLD	BLE	BLF	BLG	BLH	BLI	BLJ	BLK	BLL
2013	BMA	BMB	BMC	BMD	BME	BMF	BMG	BMH	BMI	BMJ	BMK	BML
2014	BNA	BNB	BNC	BND	BNE	BNF	BNG	BNH	BNI	BNJ	BNK	BNL
2015	BOA	BOB	BOC	BOD	BOE	BOF	BOG	BOH	BOI	BOJ	BOK	BOL

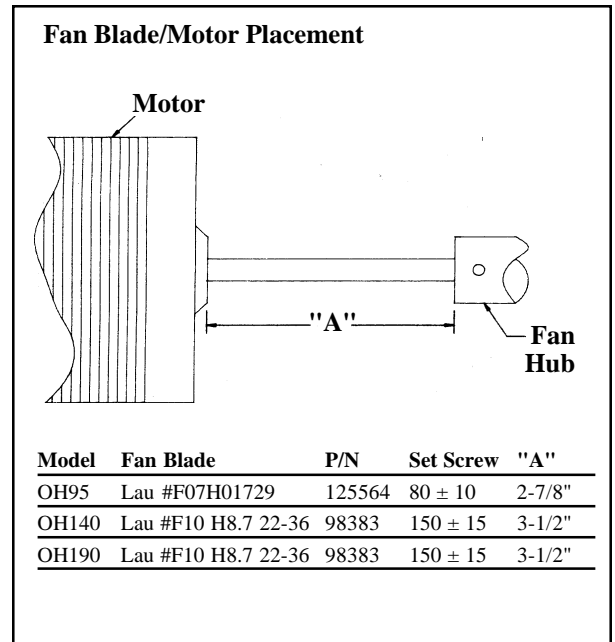
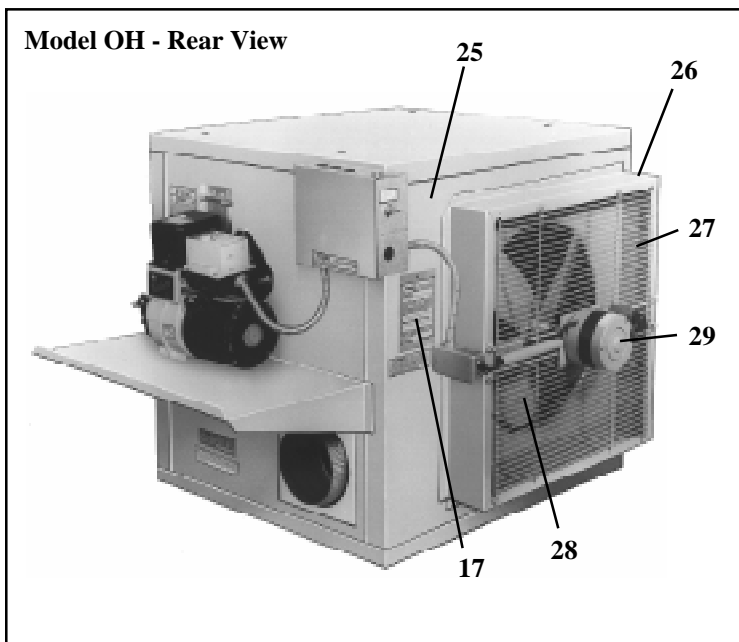
## Cabinet Parts for both Model OH (fan) and Model OB (blower)

Code	Description	Qty	Size		
			95	140	190
1	Cabinet Top Outer Panel	1	104741	104742	104742
2	Cabinet Top Inner Panel (not illustrated)	1	104738	104739	104739
3	Cabinet Bottom Outer Panel	1	104741	104742	104742
4	Cabinet Bottom Inner Panel only (not illustrated)	1	104738	104739	104739
5	Heat Exchanger Support (not illustrated) attached with screws to Code 4	2	104736	104736	104736
6	Door Stop (not illustrated) attached with screws to Code 4	2	104753	104753	104753
7	Top Front Panel	1	104747	104748	104748
8	Bottom Front panel	1	104747	104748	104748
9	Front Corner Post	2	104743	104743	104743
10	Louver Frame with Horizontal Louvers (Optional Vertical Louvers, see pages 7-8)	2	94857	94851	94851
11	Center Louver Frame with Horizontal Louvers (not illustrated)	1	N/A	104836	104836
12	Outer Exhaust Access Door Assembly including insulation	1	115153	115153	115153
13	Burner Panel Assembly including insulation	1	107128	107128	107128
14	View Port Bracket Assembly	1	104768	104768	104768
15	Service Tray	1	104757	104757	104757
	attached with rivets, units manufactured before 5/95	1	140866	140866	140866
	attached with screws, units manufactured beginning 5/95	1	140866	140866	140866
16	Outer Combustion Chamber Door Assembly including insulation	1	115155	115155	115155
17	Fan and Limit Control Access Panel (illustrated in rear view, bottom of page 3)	1	94898	94898	94898
18	Draft Regulator	1	37865 7"	37866 8"	37866 8"
19	Door Latch Kit		124067	124067	124067
20	Hole Plug for Corner Leg, Heyco #437-2633		141747	141747	141747



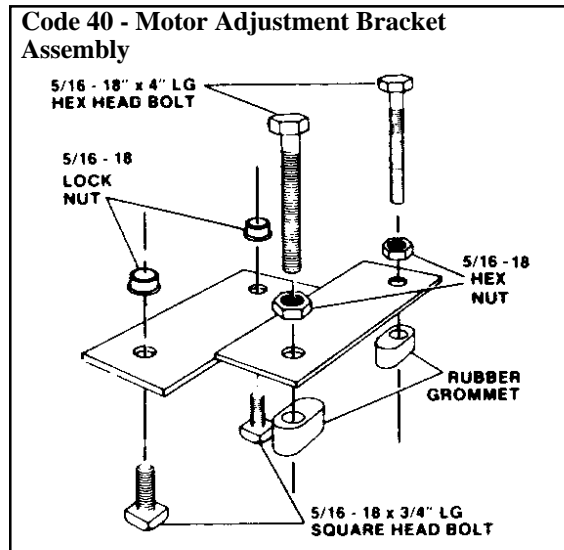
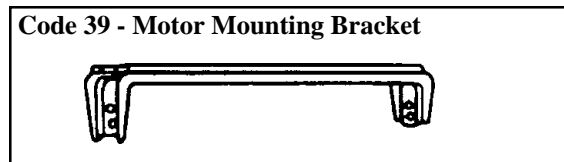
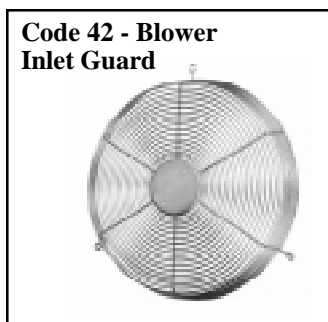
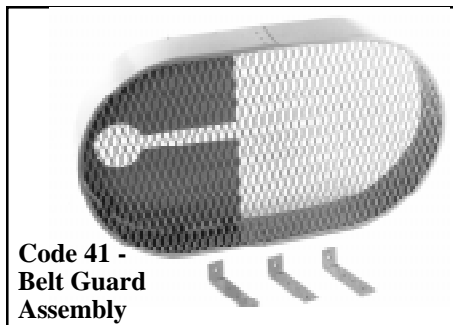
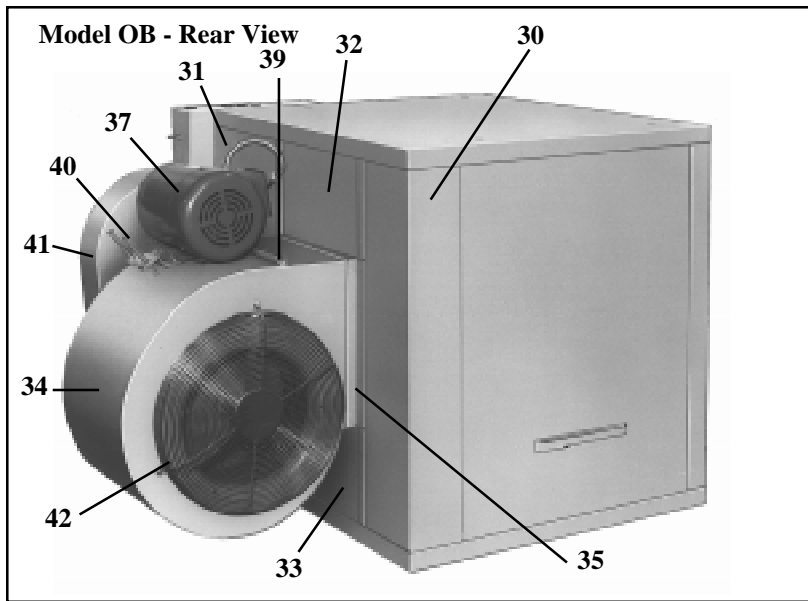
**Cabinet Parts and Fan Components for Model OH only**

Code	Description	Size		
		95	140	190
25	Fan Panel (includes corner posts)	104744	104745	104745
26	Fan Guard Mount Assembly	104823	104823	104823
27	Fan Guard Assembly	104818	104818	104818
28	Fan Blade Assy (See diagram below for spacing.)	125564 18"-33 Lau #FO 7HO 1729	96383 Lau #F10 H8.7 22-36	96383 Lau #F20 H8.7 22-36
29	Fan Motor	102380 1/8 HP A.O.Smith 322P986	137044 1/4 HP Magnetek H34L0187	137044 1/4 HP Magnetek H34L0187



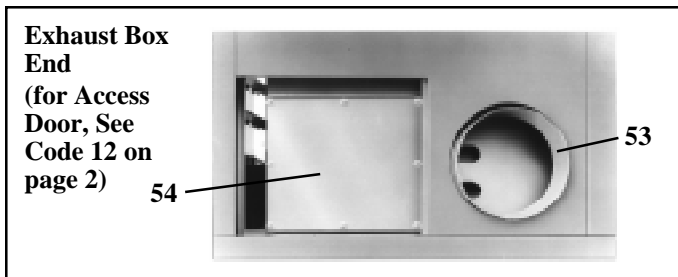
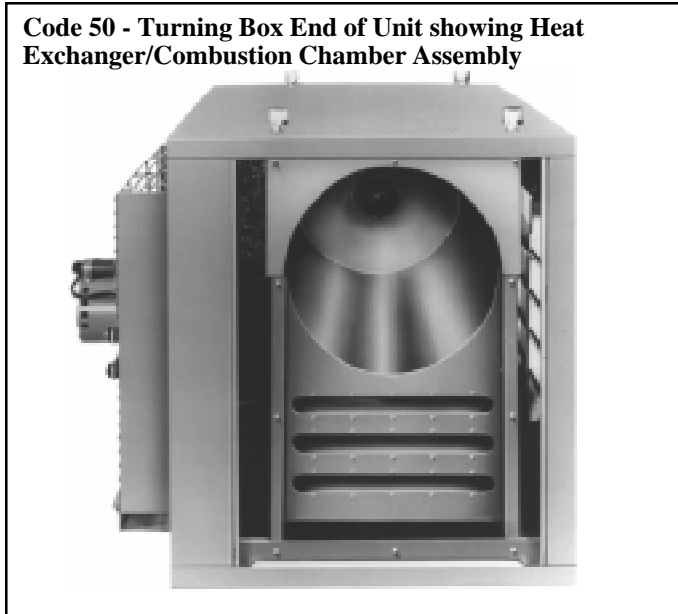
# Cabinet Parts and Blower Components for Model OB only

Code	Description	Qty	Size		
			95	140	190
30	Corner Post Assembly (left rear corner)	1	107166	107166	107166
31	Blower Post Assembly (right rear corner)	1	107167	107168	107168
32	Top Back Filler Panel	1	104795	104796	104796
33	Bottom Back Filler Panel	1	104795	104797	104797
34	Blower (including blower housing, wheel, shaft, bearings, motor mounting bracket)	1	101994 Lau # A12-9ACD	101995 Lau # A15-11ACD	101995 Lau # A15-11ACD
35	Blower Mounting Angle	2	100889	100889	100889
36	Blower Sheave (not illustrated)	1	116402 Browning #AL-104 x 1"	116401 Browning #AL-94 x 1"	116400 Browning #AL-84 x 1"
37	Blower Motor	1	31273 1/2 HP Century #8-15917001	31273 1/2 HP Century #8-15917001	115860 3/4 HP Century #F353
38	Motor Sheave (not illustrated)	1	7962 Browning #1VL40-5/8"	13580 Browning #1VL34-5/8"	13580 Browning #1VL34-5/8"
39	Motor Mounting Bracket	1	102533	102534	102534
40	Motor Adjustment Bracket Assembly Package		44411	44411	44411
41	Belt Guard Assembly	1	101479	101479	101479
42	Blower Inlet Guard	1	102475	102475	102475
43	Belt (not illustrated)	1	65404 Browning #A51	65404 Browning #A51	88558 Browning #A50
44	Hardware Bag for Blower (includes rubber feet and motor mounting hardware)		64940	64940	64940



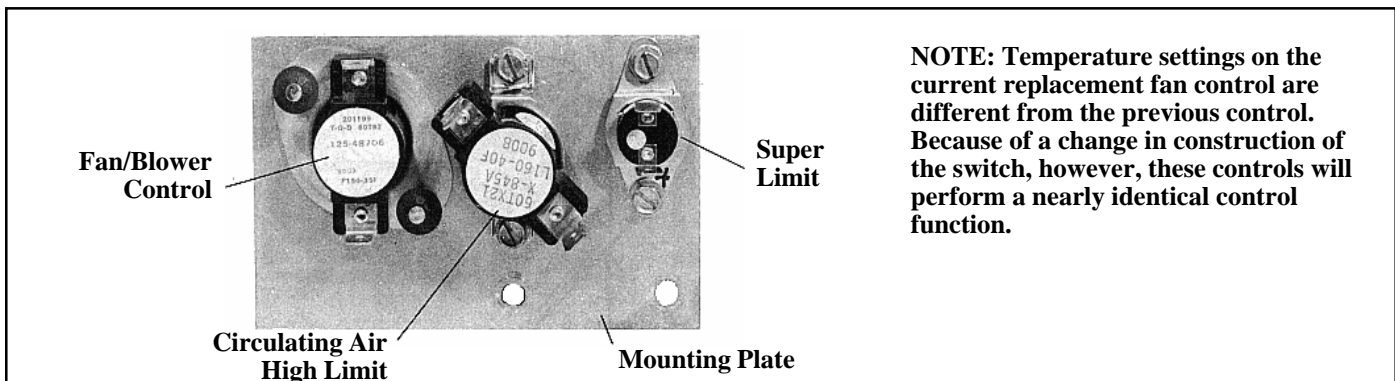
# Heat Exchanger/Combustion Chamber - Models OH and OB

Code	Description	Size		
		95	140	190
50	Complete Heat Exchanger/Combustion Chamber Assembly	120750	104763	104763
51	Large Inner Access Door	115140	115140	115140
52	Replacement Gasket for Large Inner Access Door	120057	120057	120057
53	Exhaust Collar Plate Assembly	119367	115144	115144
54	Inner Exhaust Box Cover	115150	115150	115150
55	Replacement Gasket for Inner Exhaust Box	115151	115151	115151
56	Viewport Tube Assembly (not illustrated)	104761	104761	104761



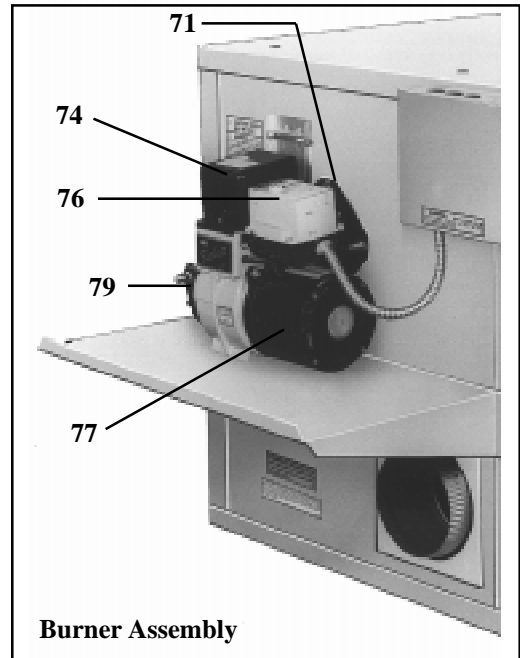
## Fan and Limit Control Assembly

Code	Description	Size		
		95	140	190
60	Fan and Limit Control Assembly	123977 (replaces 120679)	123973 (replaces 104837)	123973 (replaces 104837)



# Burner - Models OH and OB

Code	Description	Size			
		95	140	190	
70	Burner Assembly 115V, less nozzle (includes Codes 71-85)	120065 RZ-13-01	120066 RZ-13-02	120067 RZ-13-03	
71	Burner Assembly Gasket, Beckett #3416	103420	103420	103420	
72	Combustion Air Blower Wheel	41599	41599	41599	
73	Electrode Assembly	59449	59449	59449	
74	Transformer (115V) with Gaskets and Electrode Connectors	41603	41603	41603	
74A	Electrode/Transformer Connectors only (spring-type)	(2)97033	(2)97033	(2)97033	
75	Cad Cell Detector and Eye, Beckett #596-300U	101932	101932	101932	
76	Ignition Controller	41904	41604	41604	
77	Burner Motor	41598	41598	41598	
78	Coupling	41600	41600	41600	
79A	Burner Pump, 1-stage, Beckett 2460	131460	131460	131460	
79B	Burner Pump, 2-stage, Beckett 2583	41601	41601	41601	
*80	Air Shutter	41592	41592	41592	
*81	Air Band	41593	41593	41593	
*82	Connector Tube Assembly	41602	41602	41602	
*83	Air Tube	41607	41607	41607	
*84	Flange	41595	41595	41595	
85	Retention Head	45891	146467	50786	
86	**Nozzle, Delavan	Units manufactured prior to 6/96	32437 0.85 x 80B	120068 1.25 x 90B	120069 1.65 x 90B
		Units manufactured beginning 6/96	32437 0.85 x 80B	146816 1.25 x 70B	146815 1.35 x 70B



**Burner Assembly**

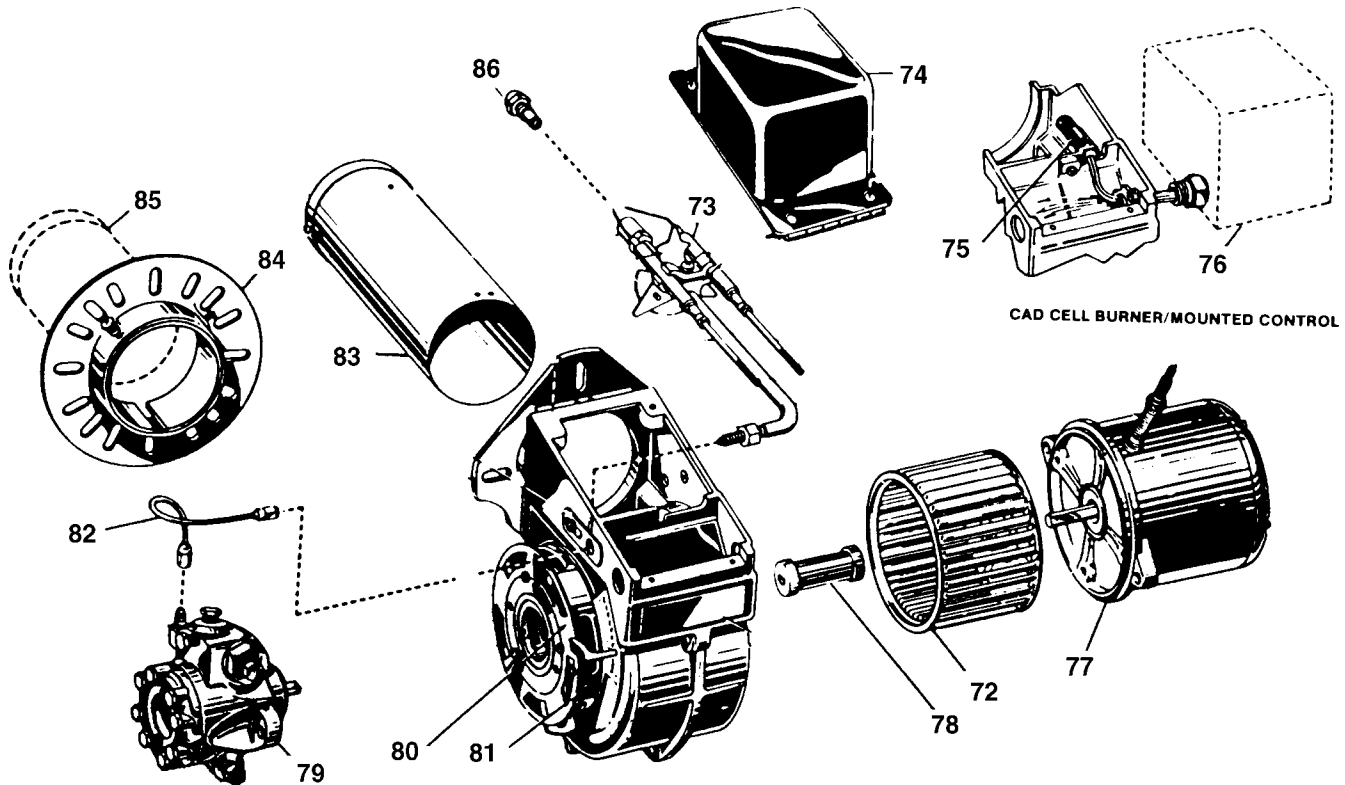
**Code 75 - Cad Cell Detector and Eye, P/N 101932**



\*Not stocked at Mercer

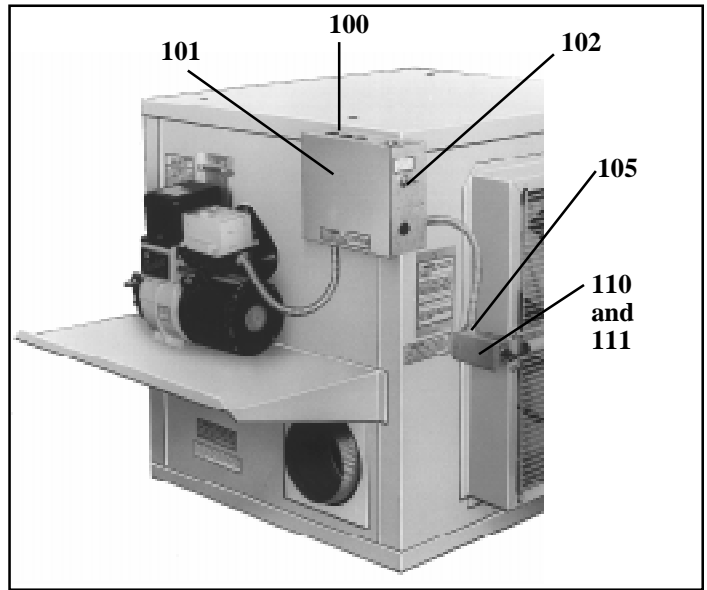
\*\* Always check the nozzle for size and replace with identical nozzle.

## Exploded View of Beckett Oil Burner, Code 70



# Electrical Components (Switches/Relays/Connections) - Models OH and OB

Code	Description	
100	Main Electrical Control Box	119810
101	Electrical Box Cover	119812
102	Main Control Switch, DPST 20A, Cutler Hammer #7630K40	104840
103	Draft Booster Relay Kit (Same as Option DH1) - includes wiring, relay, hardware, and instructions	110780
103A	Draft Booster Relay only, RBM relay, Essex #134-50203-301	103318
104	Open/Closed bushing, Heyco #0CB-562	98394
105	Cable Clamp, 1/4", Heyco #3324	52961
106	Dart Fastener, TRW #PC47307EV2001	101798
107	Terminal Block, 1-1/4", Westinghouse #TBA3	16864
108	Terminal Block Mounting Rail, 1-1/4", Westinghouse #TMR-12	21830
109	Terminal Block Marking Strip, 1-1/4", Westinghouse #TMS	21831
110	Blower /Fan Junction Box 2x4, Steel City #5836	17782
111	Blower/Fan Junction Box Cover, Steel City #58C1	17800
112	Strain Relief, Heyco #SR-6N3-4	100393
113	Strain Relief, 90°F, Heyco #SR-20-1	96449
114	Adapter, Heyco #7572	107165
115	Oil Safety Valve, Webster #0SV-38 (Same as Option DC1)	50350
116	Oil Burner Solenoid Valve, GC #K271FA312C5 (Same as Option DD1)	43487
117	Oil Booster Pump (30GPH), Sunstrand #BH-1030M (Same as Option DA1)	37862
118	Oil Booster Pump (70GPH), Sunstrand #BH-1070M (Same as Option DA21)	37863
119	Booster Pump Pressure Switch, Sunstrand #128117 (Same as Option DF1)	37864
120	Thermostat, Honeywell #T87F3665 (Same as Option CL1)	39581



**Code 103 - Draft Booster Relay Kit**



**Code 120 - Thermostat**

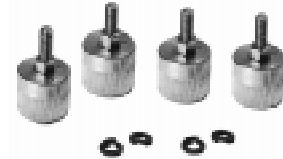
Single-stage  
24-volt  
40-90° F Range  
SPDT Mercury Switch  
30VAC Maximum  
.1 to 1.2 amps  
Adjustable Anticpator  
Round Horizontal mount with cover ring for mounting on outlet box



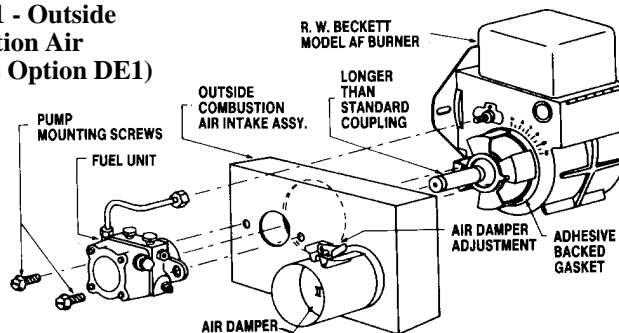
## Miscellaneous

Code	Description	P/N
130	Touchup Paint, 10 oz spray can, tawny beige	37919
131	Outside Combustion Air Adapter Kit (Same as Option DE-1) - not available in Canada	40274
132A	Hanger Kit Swivel Connections, 1/2" (Same as Option CK10)	134476
132B	Hanger Kit Swivel connections, 3/8"- for units manufactured prior to 1994	98511
133	Vertical Louvers (Same as Option CD1) - See components in illustration on page 8	Size 95 - 121858 Sizes 140 & 190 - 121859
134	Oil Tank, 250-gallon, bench-type tank	Model OT250
135	Oil Tank Stand (Same as Option ST1) - See components in illustration on page 8	119376

**Code - 132 - Hanger Kit (Same as Option CK10)**

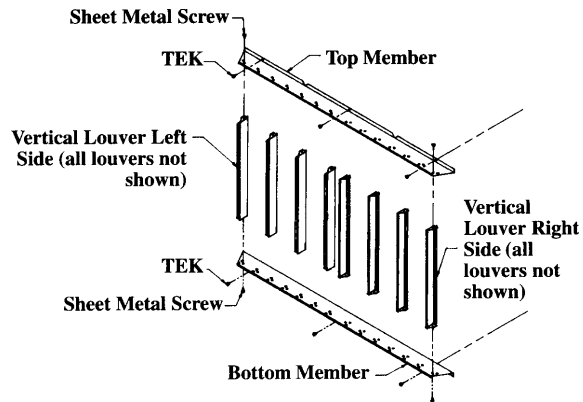


**Code 131 - Outside Combustion Air (Same as Option DE1)**



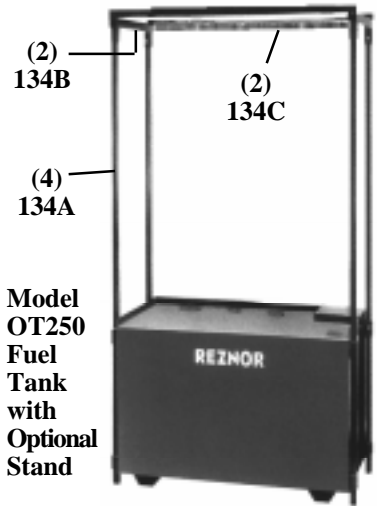
**Code 133 - Optional Vertical Louvers**  
(Same as Option CD1)

		Size			
		95		140/190	
Code	Package P/N	121858		121859	
Components:		Qty	P/N	Qty	P/N
133A	Top and Bottom Members	2	119859	2	119860
133B	Vertical Louvers	10	95937	14	95937
133C	Sheet Metal Screws	20	11813	28	11813
133D	Self-drilling Screws	4	37661	6	37661

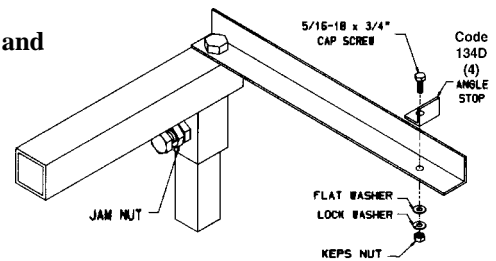


**Optional Heater Stand (Same as ST-1) for use with Model OH fan-heater and Model OT Fuel Tank Model OT250**

Code	Qty	P/N	Component Description	
134A	2	121589	Corner Posts, 1-1/2" square tubing, approximately 8' long	
134B	2	121590	Tube Bracket Assemblies, 2" square tubing	
134C	2	121591	Front and Rear Support Angles, 1-1/2" x 1-1/2" x 64" long	
134D	4	121592	Angle Stops, 1-1/2" x 1-1/2", 1-5/16" long	
4	121593	Hex Head Cap Screws, 1/2-13 x 3/4"		Hardware for Code 134C
4	121594	Hex Head Nuts, 1/2-13		
4	121595	Flat Washers, 1/2"		
8	121596	Hex Head Cap Screws, 1/2-13 x 1-1/2" (set screws)		Set Screws for Codes 134A&B
8	122102	Hex jam Nuts, 1/2-13 (for set screws)		
4	16247	Hex Head Cap Screws, 5/16-18 x 3/4"		Hardware for Code 134D
4	6554	Hex Head Nuts, 5/16-18		
4	27761	Flat Washers, 5/16"		
4	1333	Lock Washers, 5/16"		



**Code 134D and Hardware**



**Heater Stand Corner**