

IMPORTANT

1. If ordered with a heater, always include complete heater model and serial number so that any specification change can be considered for parts shipment. It can save time and expense.
2. Specifications are subject to change without notice.
3. We reserve the right to substitute functional replacements.
4. Order by Part No.; not Heater Option Designation.

REZNOR *Thomas&Betts*

**Replacement Parts for
Evaporative Cooling Modules**

Replacement Parts Form RZ 708

**APPLIES TO: Model Series REC and Option AS
Evaporative Cooling Modules**

Literature NOTE: Replacement parts information for evaporative cooling modules has been removed from Forms 707, 736, and 742.

INDEX by Page Number

Description	Model REC	Option AS3, AS4, AS5, AS8 on RGB/RPB/RBA/PCCA/ADF(H) 300&500	Option AS3, AS4, AS5, AS8 on RGBL/RPBL/PGBL/SSCBL/RBL/ADF(H) 700&1200
AquaSaver® Components	3	3	3
Ball Valve	3	3	3
Base for Module	4	--	7
Cabinet Parts	4	8	6
Drain	3	3	3
Float Switch	3	3	3
Float Valve	3	3	3
Media	2	2	2
Moisture Elimination Pad	4	8	6
Piping and Hose	3	3	3
Pump	3	3	3
Screen (air intake)	4	8	6
Screen (pump basket)	3	3	3
Transformer	3	3	3
Transition Duct	*	--	7
Valves (Fill and Drain)	3-4	3-4	3-4
Water Hammer Arrestor	3	3	3

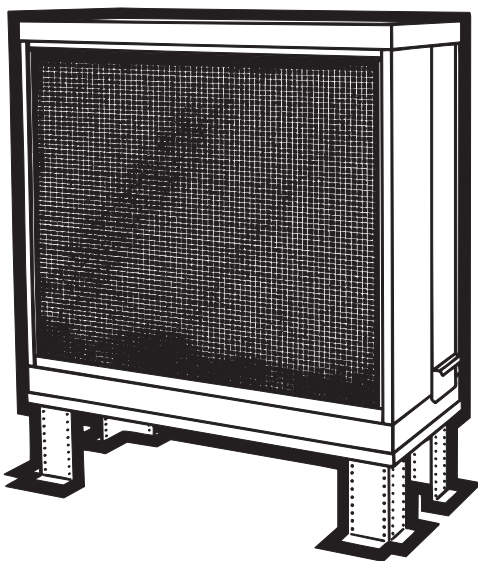
*Field supplied on REC

REFERENCES:

- Form RZ 408, Model REC Installation/Operation/Maintenance Manual
- Form RZ 400-EC, Installation/Operation/Maintenance Manual for shipped-separate Option AS3, AS4, AS5, or AS8
- Form RZ 403, Installation Manual for Models RGB/RPB (includes operation/maintenance information on Optional Evaporative Cooling Module)
- Form RZ 409, Installation Manual for Model RBA and RBL Blower Cabinets
- Form RZ 412, Installation Manual for Model SSCBL
- Form RZ 413, Installation Manual for Models RGBL/RPBL/PGBL
- Form RZ 415, Installation Manual for Model PCCA (includes operation/maintenance information on Optional Evaporative Cooling Module)
- Form RZ 442, Installation Manual for Models ADF/ADFH (includes operation/maintenance information on Optional Evaporative Cooling Module)



Model REC Evaporative Cooling Module



Evaporative Cooling Module Option AS3, AS4, AS5, or AS8 factory attached to the inlet air opening

Applies to all sizes of Models RGB and RPB; Sizes 300 and 500 of Models ADF/ADFH; Model RBA blower cabinet; and all sizes of Model PCCA



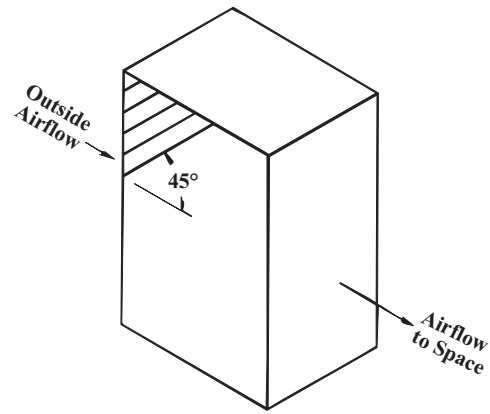
Evaporative Cooling Module Option AS3, AS4, AS5, or AS8 shipped separately for field installation



Applies to all sizes of Model Series RGBL, RPBL, PGBL, and SSCBL; Sizes 700 and 1200 of Models ADF/ADFH; and Model RBL Blower Cabinet

Code 1 - Evaporative Cooling Module Media Pads

IMPORTANT: The media is made up of two different sheets of cooling material. Each sheet has its own unique angle. When replacing the cooling media, BE CERTAIN that the 45° angle slopes downward toward the incoming outside air. If the media is not installed properly, water blowoff from the media pads will occur.

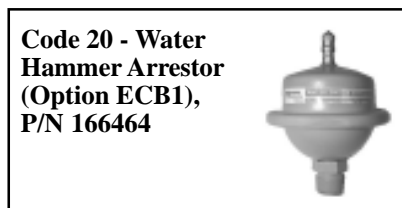
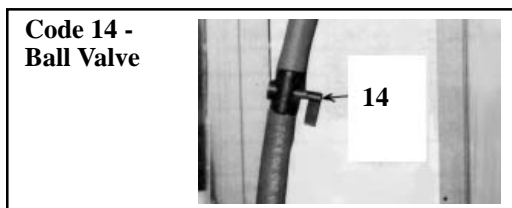
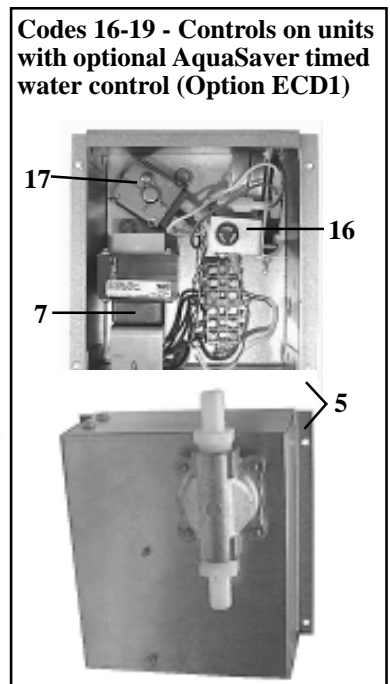
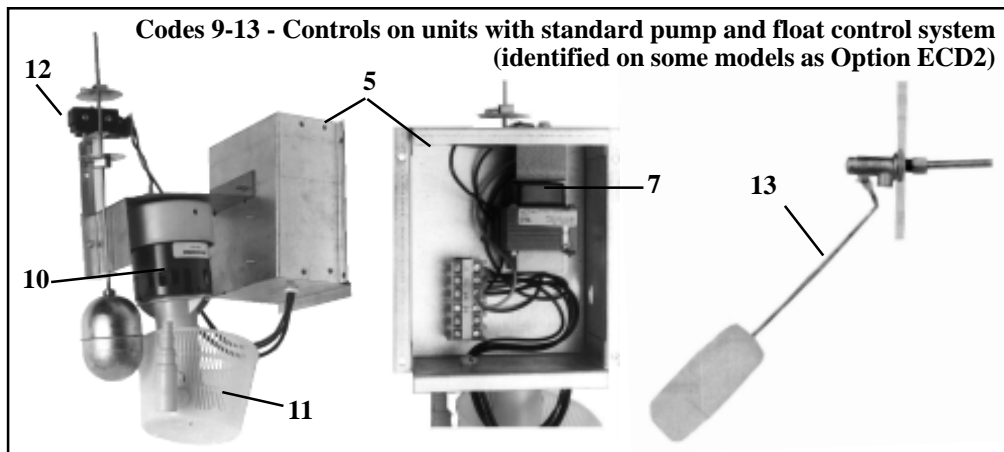


Model REC		40	50	60	70	80	90	180
All sizes of Models RGBI/RPBI/PGBL/SSCBL; Model RBL; and Models ADF(H) 700 & 1200 with Evaporative Cooling Module Option AS3, AS4, AS5, or AS8		--	--	--	--	--	--	As Listed
Models with Evaporative Cooling Module Option AS3, AS4, AS5, or AS8		RGB&RPB 75/100/125	RGB&RPB150/175	RGB&RPB 200/225	RGB&RPB 250/300	RGB&RPB 350	RGB&RPB 400	--
			RBA	PCCA Cabinet A Sizes	ADF500	PCCA Cabinet B Sizes		
			ADF300					
Size	Type	(Qty) P/N	(Qty) P/N	(Qty) P/N	(Qty) P/N	(Qty) P/N	(Qty) P/N	(Qty) P/N
24 x 12 Cooling Media	6" Cellulose Fiber	(2)105985	(2)105985	(3)105985	(3)105985	(4)105985	(4)105985	--
	12" Cellulose Fiber	(2)106021	(2)106021	(3)106021	(3)106021	(4)106021	(4)106021	--
	6" Glass Fiber	(2)106037	(2)106037	(3)106037	(3)106037	(4)106037	(4)106037	--
	12" Glass Fiber	(2)106029	(2)106029	(3)106029	(3)106029	(4)106029	(4)106029	--
24 x 2-3/8 Cooling Media	6" Cellulose Fiber	(1)105986	--	--	--	--	--	--
	12" Cellulose Fiber	(1)106022	--	--	--	--	--	--
	6" Glass Fiber	(1)106038	--	--	--	--	--	--
	12" Glass Fiber	(1)106030	--	--	--	--	--	--
24 x 7-7/8 Cooling Media	6" Cellulose Fiber	--	(1)105987	--	--	--	--	--
	12" Cellulose Fiber	--	(1)106023	--	--	--	--	--
	6" Glass Fiber	--	(1)106039	--	--	--	--	--
	12" Glass Fiber	--	(1)106031	--	--	--	--	--
24 x 1-3/8 Cooling Media	6" Cellulose Fiber	--	--	(1)105988	--	--	--	--
	12" Cellulose Fiber	--	--	(1)106024	--	--	--	--
	6" Glass Fiber	--	--	(1)106040	--	--	--	--
	12" Glass Fiber	--	--	(1)106032	--	--	--	--
24 x 9-5/8 Cooling Media	6" Cellulose Fiber	--	--	--	(1)105989	--	--	--
	12" Cellulose Fiber	--	--	--	(1)106025	--	--	--
	6" Glass Fiber	--	--	--	(1)106041	--	--	--
	12" Glass Fiber	--	--	--	(1)106033	--	--	--
24 x 2-7/8 Cooling Media	6" Cellulose Fiber	--	--	--	--	(1)105990	--	--
	12" Cellulose Fiber	--	--	--	--	(1)106026	--	--
	6" Glass Fiber	--	--	--	--	(1)106042	--	--
	12" Glass Fiber	--	--	--	--	(1)106034	--	--
24 x 8-5/8 Cooling Media	6" Cellulose Fiber	--	--	--	--	--	(1)105991	--
	12" Cellulose Fiber	--	--	--	--	--	(1)106027	--
	6" Glass Fiber	--	--	--	--	--	(1)106043	--
	12" Glass Fiber	--	--	--	--	--	(1)106035	--
48 x 12 Cooling Media	6" Cellulose Fiber	--	--	--	--	--	--	(4)107190
	12" Cellulose Fiber	--	--	--	--	--	--	(4)107194
	6" Glass Fiber	--	--	--	--	--	--	(4)107199
	12" Glass Fiber	--	--	--	--	--	--	(4)107201
48 x 8-5/8 Cooling Media	6" Cellulose Fiber	--	--	--	--	--	--	(1)107191
	12" Cellulose Fiber	--	--	--	--	--	--	(1)107195
	6" Glass Fiber	--	--	--	--	--	--	(1)107201
	12" Glass Fiber	--	--	--	--	--	--	(1)107202

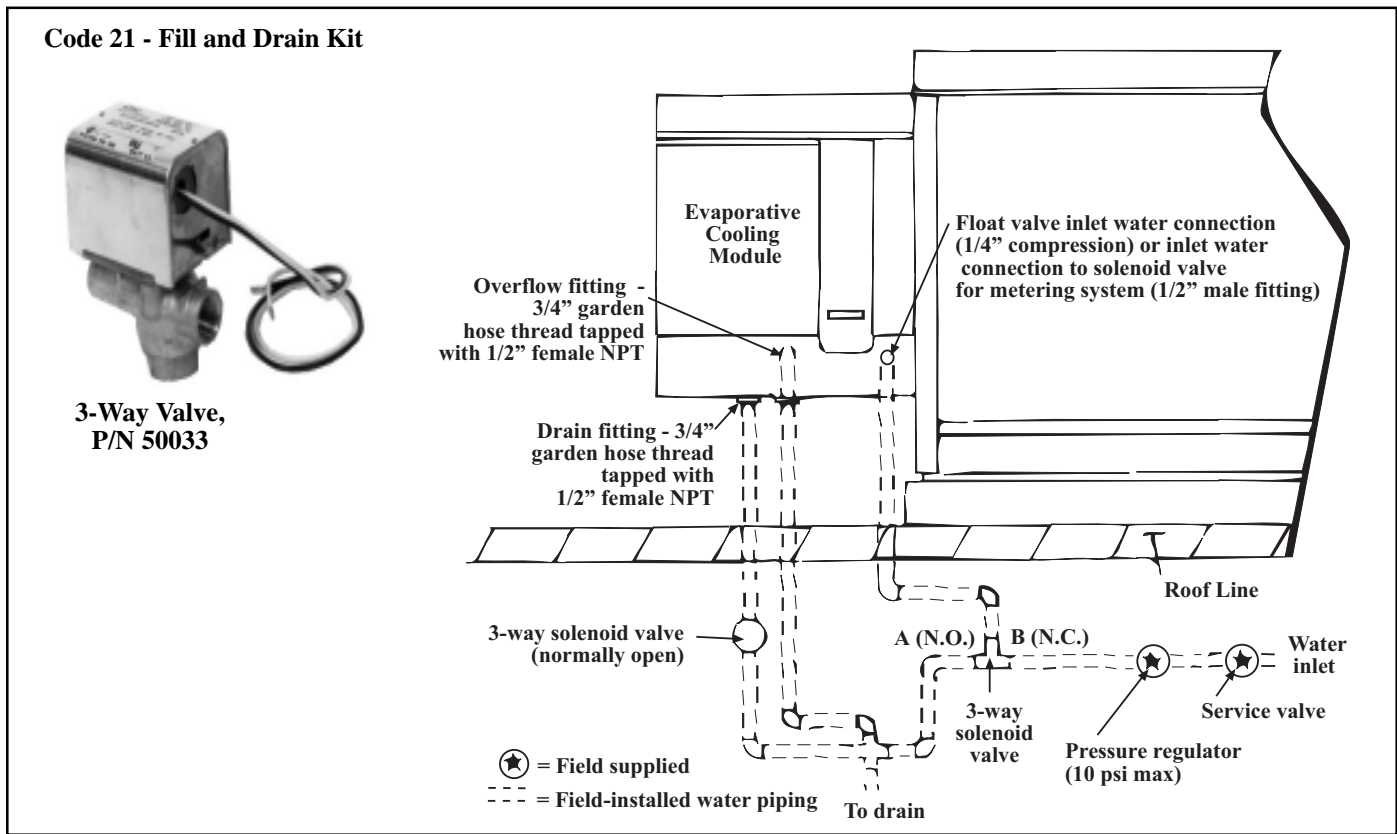
Evaporative Cooling Module Controls - apply as listed; quantity other than one in parenthesis

Model REC		40	50	60	70	80	90	180	
All sizes of Models RGLB/RPBL/PGLB/SSCBL; Model RBL; and Models ADF(H) 700 & 1200 with Evaporative Cooling Module Option AS3, AS4, AS5, or AS8		--	--	--	--	--	--	As Listed	
Models with Evaporative Cooling Module Option AS3, AS4, AS5, or AS8		RGB&RPB 75/100/125	RGB&RPB 150/175 RBA	RGB&RPB 200/225	RGB&RPB 250/300	RGB&RPB 350	RGB&RPB 400	--	
			ADF300	PCCA Cabinet A Sizes	ADF500	PCCA Cabinet B Sizes			
5	Control Box	Units with standard pump control system		105926					
		Units with optional AquaSaver system		166456					
6	Terminal Block	All units						144972	
7	Transformer	All 208/230 volt units						103497	
8	PVC Sprinkler Assembly	Units mfgd prior to 10/98 and after 12/00*		105931	105932	105933	105934	105935	
9	Pump	115V, 6" Media	105928				107186		
		208/230V, 6" Media	106926				107197		
		115V, 12" Media	107186						
		208/230V, 12" Media	107197						
10	Pump Support	Units with standard pump control system (identified as Option ECD2 on some units)		133486					
11	Basket Screen	ECD2 on some units						105929	
12	Float Switch, Grainger IP504							136618	
13	Float Valve, RM150							42928	
14	Ball Valve, FN226-8B8B-B	All units						106697	
15	Rubber Hose, 1/2" I.D.	All units						(2) 105971 - 20" long	(2) 107188 - 28" lg
16	Timer Assembly							166458	
17	Solenoid Valve, 1/2", AA577	Units with optional AquaSaver system		166457					
18	Fuse, 2.5 amps	(Option ECD1)		61542					
19	Fuseholder, Buss HTB-481							60241	
20	Water Hammer Arrestor	Units w/Option ECB1		166464					
21A	Fill and Drain Kits for All Sizes/Models with standard pump control system (or Option ECD2) - See illustration on page 4.								
	115/1 (same as Option CT1)	Kit P/N 50031	Includes 2-Way Valve, P/N 50032, and 3-Way Valve, P/N 50033						
	208/1 (same as Option CT2)	Kit P/N 50823	Includes 2-Way Valve, P/N 50297, and 3-Way Valve, P/N 50296						
	230/1 (same as Option CT3)	Kit P/N 50824	Includes 2-Way Valve, P/N 50299, and 3-Way Valve, P/N 50298						
	For 575V (same as Option CT4)	Kit P/N 50031	Includes 2-Way Valve, P/N 50032, and 3-Way Valve, P/N 50033						
21B	Fill and Drain Parts for All Sizes/Models with AquaSaver water control system (Option ECD1) - Applies to all voltages with Option CT5								
	Fill Valve	P/N 178677							
	Time Delay Relay	P/N 89661							
	RBM Relay	P/N 103317							
	Temperature Controller	P/N 126170							

*Modules manufactured from 10/98 to 12/00 have a water sock sprinkler. If replacing a water sock sprinkler system, contact the factory for parts and instructions.



Evaporative Cooling Module Controls (cont'd)

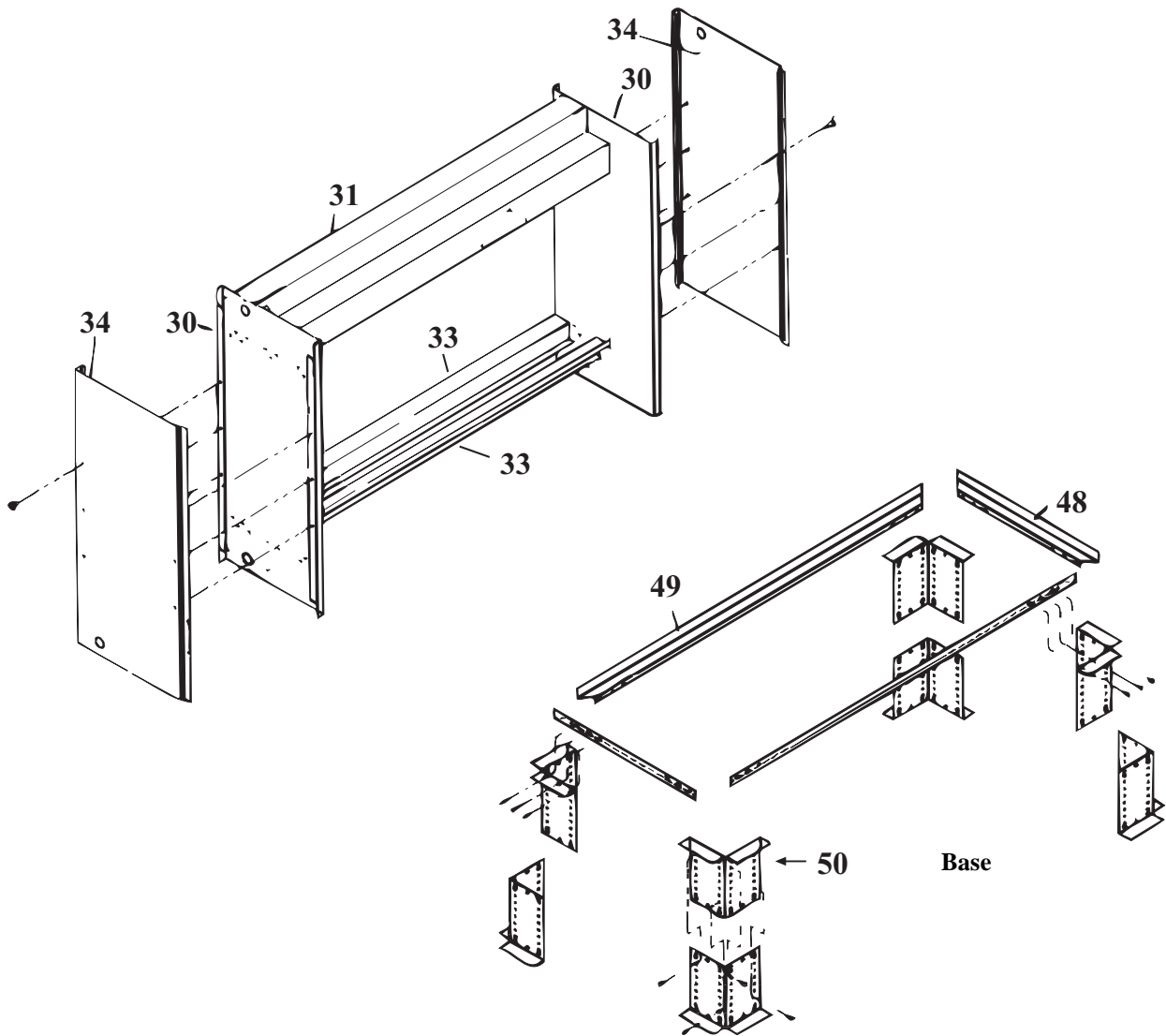
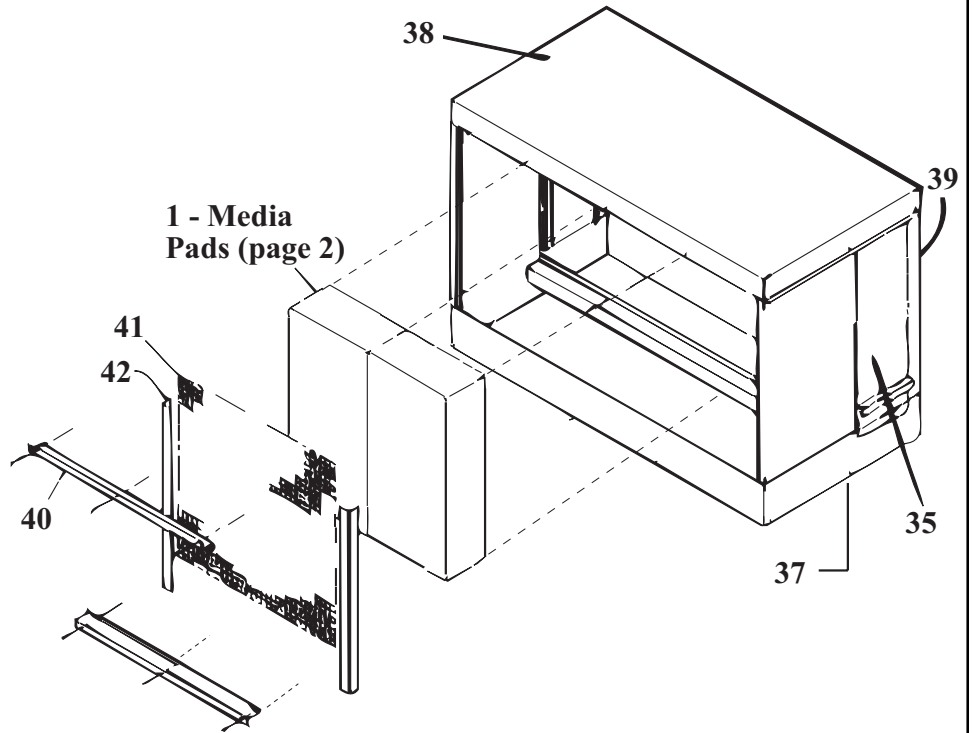


Model REC Evaporative Cooling Module - Cabinet Parts including Base

(quantity other than one in parenthesis)

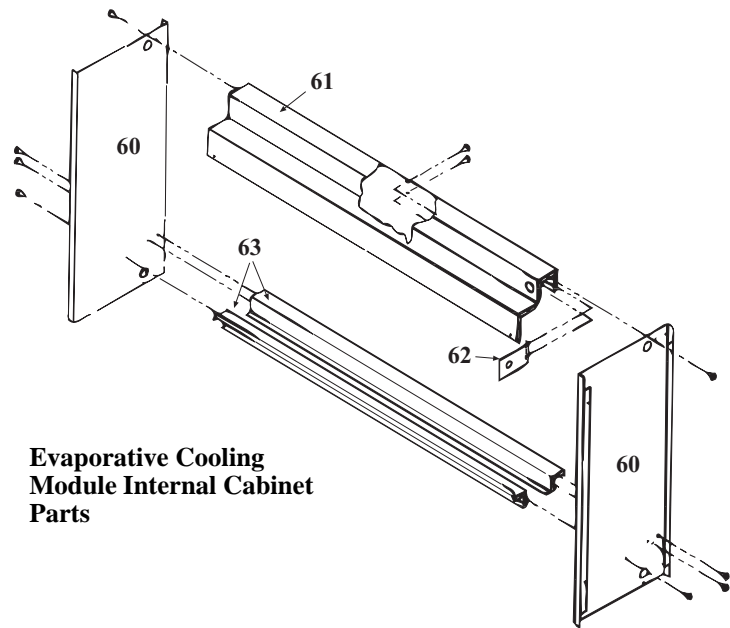
Code	Description	40	50	60	70	80	90	180
30	REC Inner Side Panel	(2)105906						(2)107181
31	REC Water Diffuser	with 6" media	105907	105908	105909	105910	105911	105912
		with 12" media	106014	106015	106016	106017	106018	106019
32	REC Sprinkler Support (not illustrated)	111202						
33	REC Media Support Rail	(2)105914	(2)105915	(2)105916	(2)105917	(2)105918	(2)105919	
34	REC Rear Leg	(2)105920						(2)107182
35	REC Door Assy	with pump	(2)105921					(2)107183
		with	(1)105921					(1)107183
		AquaSaver	(1)166569					(1)166570
36	Cooler Drain, Roberts Mfg #1342	(2)43210						
37	REC Bottom Pan	105951	105952	105953	105954	105955	105956	
38	REC Top	106078	106079	106080	106081	106082	107187	
39	REC Front Leg	(2)105963						(2)107313
40	REC Media Keeper Rails	with 6" media	(2)105964	(2)105965	(2)105966	(2)105967	(2)105968	(2)105969
		with 12" media	(2)105992	(2)105993	(2)105994	(2)105995	(2)105996	(2)105997
41	REC Intake Screen 1/2" x 1/2" mesh	105978	105979	105980	105981	105982	105983	107189
42	Intake Screen Retainer Angles	(2)111098						
43	REC Duct Connection Angle	106095	106096	106097	106098	106099	106100	111501
44	Optional Moisture Eliminator Pad Assy	106044	106045	106046	106047	106048	106049	(2)106049
45	Eliminator Pad Rack Top and Bottom	(2)106064	(2)106065	(2)106066	(2)106067	(2)106068	(2)106069	(4)106069
46	Eliminator Pad Rack Top/Bottom Angle	(2)106071	(2)106072	(2)106073	(2)106074	(2)106075	(2)106076	(4)106076
47	Eliminator Pad Clamp	--	--	--	--	--	--	(4)107248
Support Base Components								
48	Side Support	(2)107227						
49	Front and Rear Support	(2)106086	(2)106087	(2)106088	(2)106089	(2)106090	(2)107235	(2)107235
50	Support Leg	(8)107236						

**Model REC Cabinet
Parts and Base**

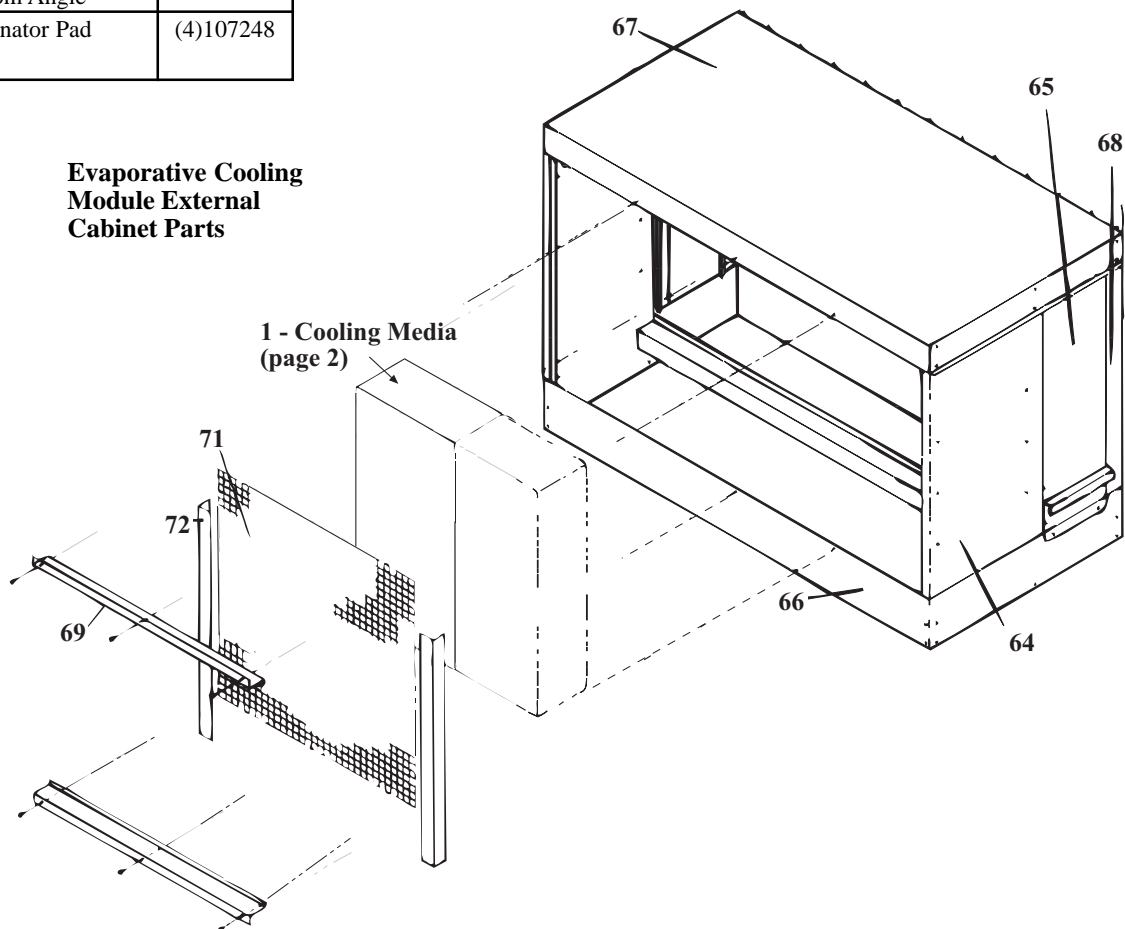


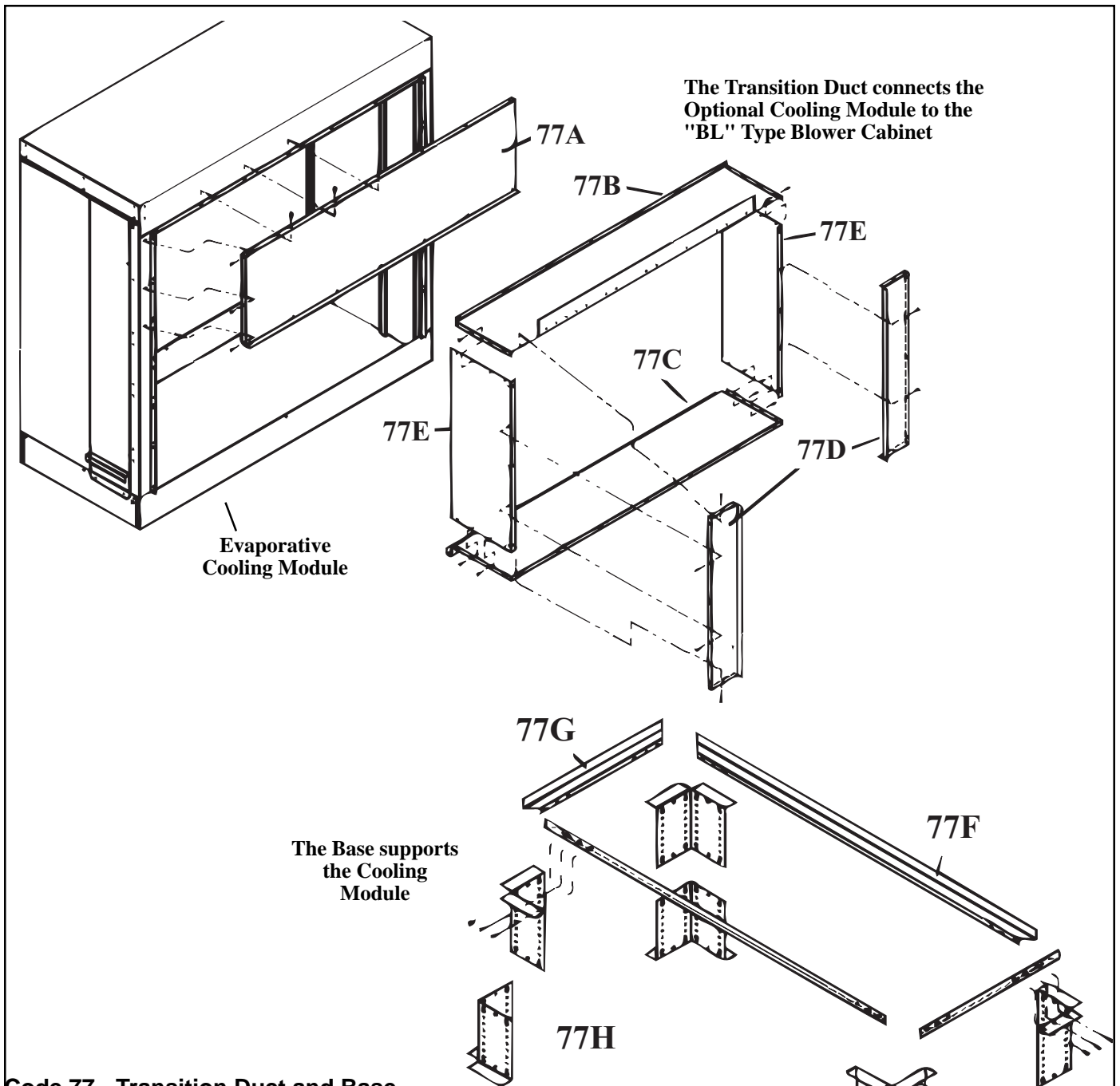
Cabinet Parts including Support Base and Transition Duct for Evaporative Cooling Modules on all sizes of Model RPBL/RGBL/PGBL/SSCBL; Model RBL blower cabinet; and Models ADF/ADFH 700 and 1200 (quantity other than one in parenthesis)

Code	Description	P/N	
60	Inner Side Panel	(2)107181	
61	Water Diffuser		
	6" Media	105912	
	12" Media	106019	
62	Sprinkler Support	105913	
63	Media Support Rail	(2)105919	
64	Rear Leg	(2)107182	
65	Door	with std pump	(2)107183
	Assy	with	(1)107183
		AquaSaver	(1)166570
66	Bottom Pan	105956	
67	Top	107187	
68	Front Leg	(2)107313	
69	Media Keeper	6" Media	(2)105969
	Rails	12" Media	(2)105997
70	Cooler Drain, Roberts Mfg #1342	(2)43210	
71	Intake Screen	107189	
72	Screen Retainer Angles	(2)111098	
73	Optional Moisture Eliminator Pad Assy (screen/clamps)	106049	
74	Moisture Eliminator Pad Rack Top and Bottom	(2)106069	
75	Moisture Eliminator Pad Rack Top/Bottom Angle	(2)106076	
76	Moisture Eliminator Pad Clamp	(4)107248	



Evaporative Cooling Module External Cabinet Parts





Code 77 - Transition Duct and Base

Code	Description	RBL/400/ 800/1200	500/ 600	700/ 1050
77	Transition Duct and Base Kit	107224	107225	107226
77A	Trnstn Duct Frnt Top Cover	107228	107228	107228
77B	Transition Duct Top	107229	107229	107229
77C	Transition Duct Bottom	107230	107230	107230
77D	Transition Duct Extension	--	107233	120734
77E	Transition Duct Side (2)	107231	107231	107231
77F	Support Base Rails (2)	107227	107227	107227
77G	Support Base Rail Ends (2)	107235	107235	107235
77H	Support Legs (8 sections; 2 per leg)	107236	107236	107236
Hardware in Code 77				
	P/N 11813, Screws, #10 x 1/2" lg	(47)	(58)	(58)
	P/N 37661, Teks, #10-16 x 1/2" lg	(13)	(17)	(17)
	P/N 16246, Bolt, Hex head 1/4-20	(10)	(10)	(10)
	P/N 10650, Nut, 1/4-20	(10)	(10)	(10)

Cabinet Parts for Evaporative Cooling Module for Models and Sizes listed on the Table
(quantity other than one in parenthesis)

Code	Description	RGB&RPB 75/100/125	RGB&RPB 150/175 RBA ADF300	RGB&RPB 200/225 PCCA Cabinet A Sizes	RGB&RPB 250/300 ADF500	RGB&RPB 350 PCCA Cabinet B Sizes	RGB&RPB 400	
80	Inner Side Panel	(2)105906						
81	Water Diffuser	6" Media	105907	105908	105909	105910	105911	105912
		12" Media	106014	106015	106016	106017	106018	106019
82	Sprinkler Support	111202						
83	Media Support Rail	(2)105914	(2)105915	(2)105916	(2)105917	(2)105918	(2)105919	
84	Rear Leg	105920						
85	Door Assembly	with std pump	(2)105921					
		with	(1)105921					
		AquaSaver	(1)166569					
86	Bottom Pan	105951	105952	105953	105954	105955	105956	
87	Top	105957	105958	105959	105960	105961	105962	
88	Front Leg	(2)105963						
89	Media Keeper Rails	6" Media	(2)105964	(2)105965	(2)105966	(2)105967	(2)105968	(2)105969
		12" Media	(2)105992	(2)105993	(2)105994	(2)105995	(2)105996	(2)105997
90	Cooler Drain, Roberts Mfg #1342	(2)43210						
91	Intake Screen	105978	105979	105980	105981	105982	105983	
92	Intake Screen Retainer Angles	(2)111098						
93	Moisture Eliminator Pad Assy (screen/clamps)	106044	106045	106046	106047	106048	106049	
94	Moisture Eliminator Pad Rack Top & Bottom	(2)106064	(2)106065	(2)106066	(2)106067	(2)106068	(2)106069	
95	MoisutureElmtr Pad Rack Top/Btm Angle	(2)106071	(2)106072	(2)106073	(2)106074	(2)106075	(2)106076	

