



INSTALLATION FORM RGM 480-Hood New

APPLIES TO: Model ERSA

Description

Option AS14 includes both a screened hood for the outside air inlet and a screened hood for the exhaust air outlet. The inlet hood includes louvers to help eliminate moisture.

The hoods may be installed before or after the unit has been positioned on the slab or roof. To avoid possible damage, it is recommended that the hoods be installed after the system has been placed on the roof or slab. The hoods should be installed before the unit is operated. Do not install hoods while the unit is in operation.

Check the parts against the list below and follow the instructions. Option AS14 includes:

Size		3	4	5
Package P/N	Qty	151140	151141	151142
Inlet Hood Components:				
Left Side	1	100216	100216	100216
Right Side	1	100217	100217	100217
Top	1	150856	150857	150858
Bottom	1	150853	150854	150855
Louver Assembly	1	150924	150925	150926
#10 x 1/2" long Sheet Metal Screws	29	11813	11813	11813
#10 - 16 x 1/2" long TEKS	4	37661	37661	37661
Exhaust Hood Components:				
Top	1	150816	150817	150818
Left Side	1	150814	150815	150815
Right Side	1	150812	150813	150813
Front Screen Angle	1	150810	15808	150811
Side Screen Angle	2	150809	150807	150807
Screen	1	155049	155050	150806
#10 - 16 x 1/2" long TEKS	11	37661	37661	37661
#10 x 1/2" long Sheet Metal Screws	15	11813	11813	11813

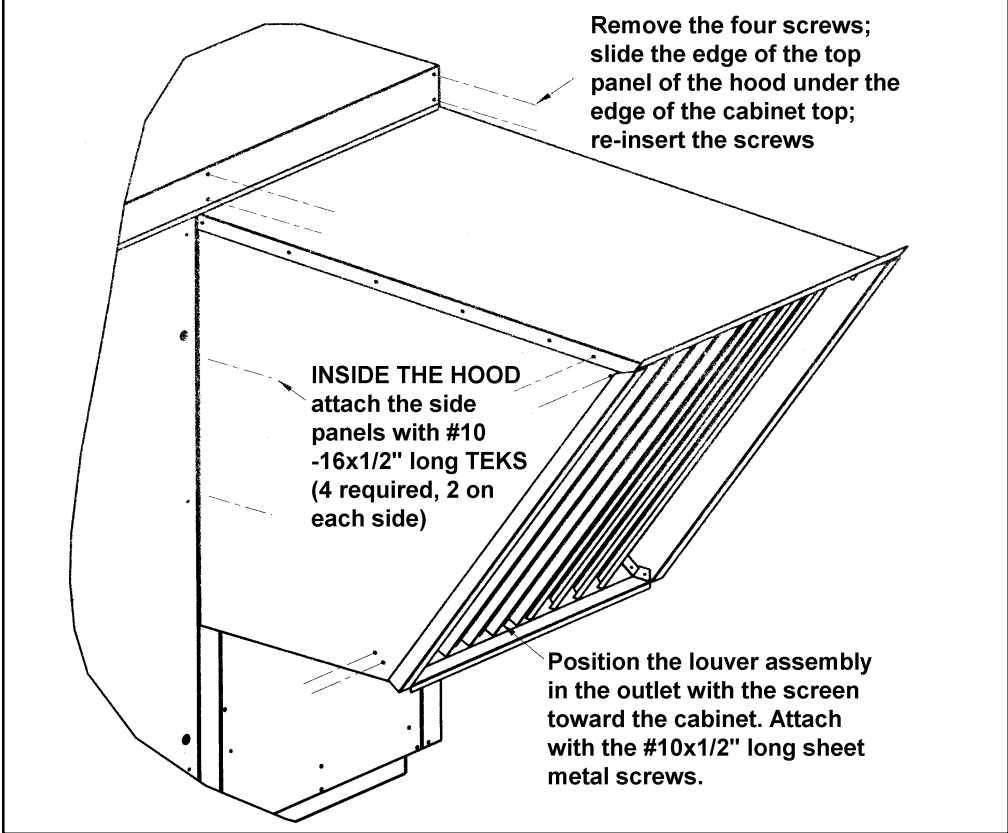
Installation Instructions

Installation should be done by a qualified agency in accordance with the instructions on this sheet and in compliance with all codes and requirements of authorities having jurisdiction.

Screened Outside Air Hood (Refer to Figure 1, page 2)

1. Remove the duct connector assembly that was factory-installed in the opening.
2. **Top Panel** -- Above the outside air inlet opening, remove the four factory-installed screws attaching the cabinet top. Slide the air hood top panel underneath the edge of the cabinet top. **The edge of the air hood top panel must be between the cabinet top and the cabinet end panel.** Reinsert the four sheet metal screws.
3. **Side Panels** -- Slide the air hood right side panel into the groove in the cabinet panel. Be sure that the edge of the side panel is underneath and to the inside of the hood top panel. Attach the side to the cabinet using two #10-16x1/2" long TEKS. Attach to the hood top panel with sheet metal screws. Repeat with the left side panel.
4. **Bottom Panel** -- Position the air hood bottom panel so that it is to the **inside** of the two side panels. Attach to both side panels.
5. **Screen and Louver Assembly** -- With the intake screen toward the inside of the hood, position the pre-assembled vertical louver assembly in the inlet opening of the air hood. Using the remaining sheet metal screws, attach the louver assembly to the air hood side panels using the holes provided.

Figure 1 - Field Assemble and Install the Screened Outside Air Hood



Installation Instructions - Exhaust Hood

1. **Assemble the Hood** (See Figure 2A) - All screws ends should be inside the hood.
 - a) Using sheet metal screws, attach the sides of the hood to the top.
 - b) Position the screen in the opening. Hold the screen in place by attaching the front and side screen angles with sheet metal screws.

2. **Install the Assembled Hood** -- Position the hood around the opening duct flange and attach with the self-drilling screws (TEKS) included in the kit.

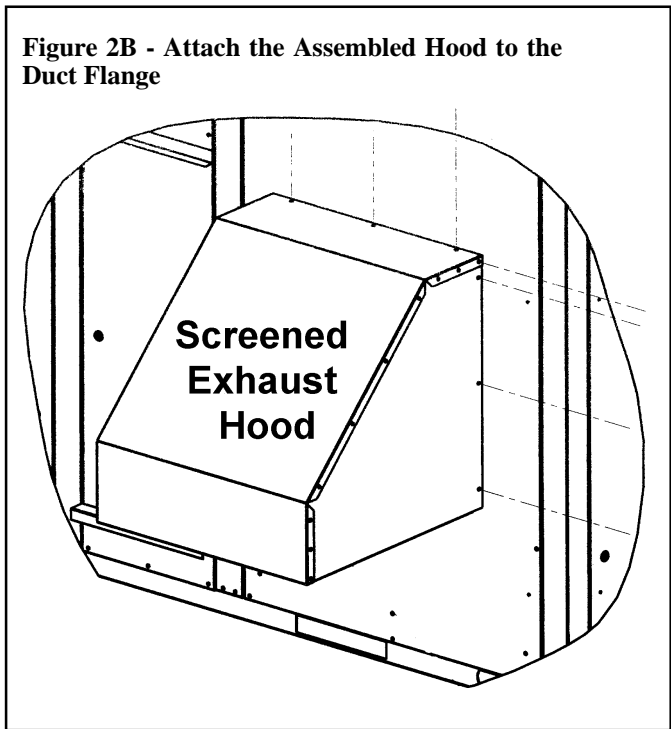
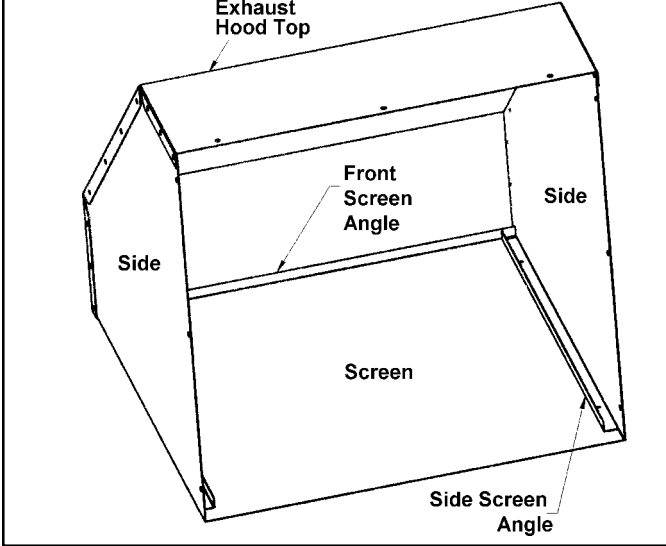


Figure 2 A - View of the Inside of the Assembled Exhaust Hood



Thomas & Betts