

WARNING: Improper installation, adjustment, alteration, service, or maintenance can cause property damage, injury or death. Read the installation, operation, and maintenance instructions thoroughly before installing or servicing this equipment.

REZNOR *Thomas & Betts*

Hanger Kit Option CK11

INSTALLATION FORM RZ-NA 456-HK (Version A)
Obsoletes Form 456-HK

APPLIES TO: **INFRA-REZ® Heater
Models TR/TR-H**

Description

When installed, the tubular radiant heaters must be able to expand, must be level, and must be restricted from too much lateral sway. The optional hanger kit includes 50' of chain (rated for 200 lbs) and "S" hooks. The chain must be cut to length. A minimum of 12" total of chain, "S" hooks, and/or turnbuckle length is required between the tubes and the structure suspension points. Heaters should be suspended at a height that has been determined to be most efficient for that application. Clearances to combustibles must be observed.

Option CK11, P/N 120698, includes:

Qty	Description	P/N
1	50' long chain (200-lb working load)	120703
18	"S" Hooks * (for suspension points)	116034

*"S" hooks that connect directly to the heater are included as standard equipment with the burner/control box and each tube. An "S" hook for each tube hanger bracket is included in each individual tube connection hardware package. Three "S" hooks for the burner/control box and combustion chamber tube assembly are included in their attachment hardware package.

Suspension Requirements

Reference: Booklet titled "Installation Configurations and Hanger Suspension Point Dimensions" (booklet is included with the burner/control box)

NOTE: Although turnbuckles are not included in this hanger kit, using turnbuckles in heater suspension is recommended for convenience in leveling the system. Use either an Option CK12-CK18 Turnbuckle Kit, or field-supplied turnbuckles of steel or malleable iron.

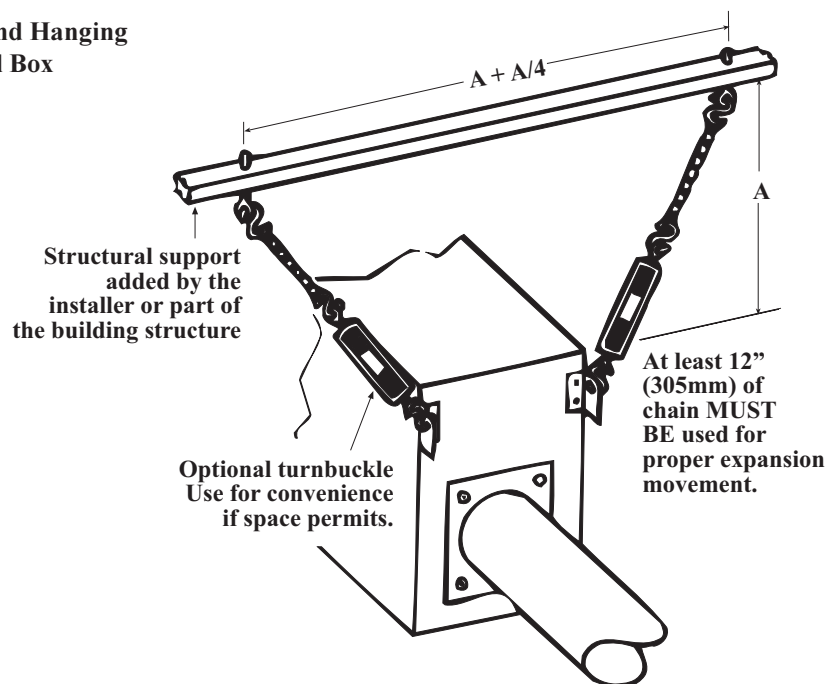
The installer is responsible for attaching the suspension points to the building and for adequately supporting the weight of the heater. Suspension point hardware is field supplied.

According to the dimensions of the system being installed (Refer to selected configuration drawing in "Installation Configurations and Hanger Suspension Point Dimensions" booklet), attach the suspension points to the building structure.

Suspension Dimensions of Burner/Control Box - The burner/control box has two hanger brackets. To restrict lateral sway of the heater, locate suspension points as illustrated in Figure 1.

Suspension Dimensions of the Tubular System - For suspension dimensions of the tubular system, refer to the selected configuration drawing in the "Installation Configurations and Hanger Suspension Point Dimensions" booklet. All permissible configurations are illustrated or noted.

Figure 1 - Suspension Dimensions and Hanging Arrangement of the Burner/Control Box



Hanger Kit Instructions

Installation should be done by a qualified agency in accordance with these instructions and in compliance with all codes and requirements of authorities having jurisdiction.

1. Chain - Determine length of chain required for heater to be suspended at established mounting height. To allow for expansion, chain length between the suspension point and the heater must be a minimum of 12" (including "S" hooks and turnbuckle, if used). When heater is installed, all chains connected to tubes must be plumb. Cut chain to determined lengths.

IMPORTANT: When cutting chain, be certain to remove the entire link (one link consists of two loops).

Attach an "S" hook and chain length at each suspension point. Close the "S" hooks.

If turnbuckles are used, attach an "S" hook and a turnbuckle at the heater end of each chain.

2. Suspend Burner/Control Box - Suspend burner control box with attached combustion chamber tube as illustrated in Figure 2.

3. Suspend Tubes - As the system is installed, attach each tube hanger bracket to its chain length and connect the tube to the previously suspended tube. (Note: "L" tubes do not require a hanging chain. Follow tube connection instructions in the connection hardware package or in the heater installation manual.) Repeat the procedure until all tubes have been suspended and connected. All chains connected to tubes must be plumb.

4. Leveling - The tubular system must be level. Before operating, use a spirit level to verify that the burner/control box and all tubes are level. Level system by adjusting chain or turnbuckles.

5. "S" Hooks - Close all "S" hooks being careful not to affect the length of the chains.

Complete the installation by following the instructions in the heater installation manual.

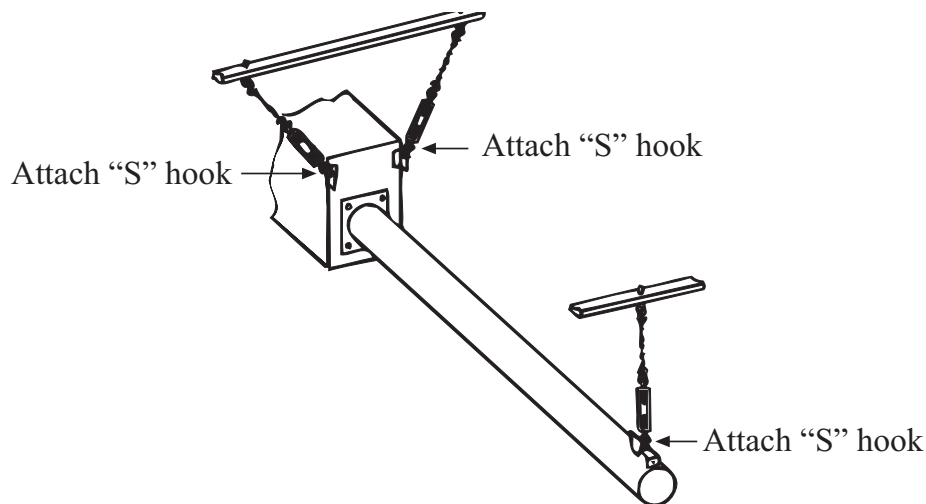


Figure 2 - Suspended Burner/Control Box and Combustion Chamber Tube

Thomas & Betts

©2001 Thomas & Betts Corporation, All rights reserved.

Printed in U.S.A.

MANUFACTURER OF GAS, OIL, ELECTRIC HEATING AND VENTILATING SYSTEMS

Trademark Note: Reznor® and INFRA-REZ® are registered in the United States and other countries.

1-800-695-1901; www.ReznorOnLine.com

9/01 Form 456-HK (Version A.3)