

**WARNING: Improper installation, adjustment, alteration, service, or maintenance can cause property damage, injury or death. Read the installation, operation, and maintenance instructions thoroughly before installing or servicing this equipment.**

**REZNOR** *Thomas&Betts*

# Side Shield Options CD13-CD20 and CD30-CD31

INSTALLATION FORM RZ-NA 452/456-S  
Obsoletes Form 456-S (Version A)

**APPLIES TO: INFRA-REZ® Heater  
Models TR/TR-H and Model TRP**

## Description

The modular, aluminum side shield extends along the length of one side of the tubular heater system. Installation of the optional side shield allows the tubular infrared heater to be installed closer to combustibles on that side. For the modular Model TR heaters, the option includes two side shield sections and two additional reflector supports for each 10-ft tube section. The side shield option for a 5-ft tube includes one side shield section. The side shield "hangs" from the reflector supports. On a Model TRP the side shields must be attached to the reflector using the hardware in the kit.

### Option Kits for Model TRP heaters:

Option	CD30		CD31	
Applies to	TRP 30 and 60		TRP 50 and 100	
<b>Option Package P/N</b>	<b>175288</b>		<b>175289</b>	
	Qty	P/N	Qty	P/N
Side Shield	2	173888	2	173888
U-Type Nut	4	1849	8	1849
1/4" Flat Washer	4	1320	8	1320
Sheetmetal Screw #10 x 1/2"	4	11813	8	11813

### Option Kits for Model TR heaters:

Option Designation	Length of Shielded Tubes - Model TR															
	5'		10'		20'		30'		40'		50'		60'		70'	
Option Designation	CD19		CD13		CD14		CD15		CD16		CD17		CD18		CD20	
<b>Option Package P/N</b>	<b>125340</b>		<b>121032</b>		<b>120705</b>		<b>120706</b>		<b>120707</b>		<b>120708</b>		<b>120709</b>		<b>132059</b>	
	Qty	P/N	Qty	P/N	Qty	P/N	Qty	P/N	Qty	P/N	Qty	P/N	Qty	P/N	Qty	P/N
Side Shield Modular Section	1	116020	2	116020	4	116020	6	116020	8	116020	10	116020	12	116020	14	116020
Reflector Bracket	0	—	2	131787	4	131787	6	131787	8	131787	10	131787	12	131787	14	131787
U-Bolt with two Brass Nuts	0	—	2	131785	4	131785	6	131785	8	131785	10	131785	12	131785	14	131785
Reflector Retainer	0	—	2	131786	4	131786	6	131786	8	131786	10	131786	12	131786	14	131786
#10-32 x 1/2" long Screw	1	113275	1	113275	2	113275	3	113275	4	113275	5	113275	6	113275	7	113275

## Installation Instructions

**WARNING: Do not install side shield while heater is operating. Turn off the gas and the electric power and allow the system to cool.**

Installation should be done by a qualified agency in accordance with the instructions on this sheet and in compliance with all codes and requirements of authorities having jurisdiction.

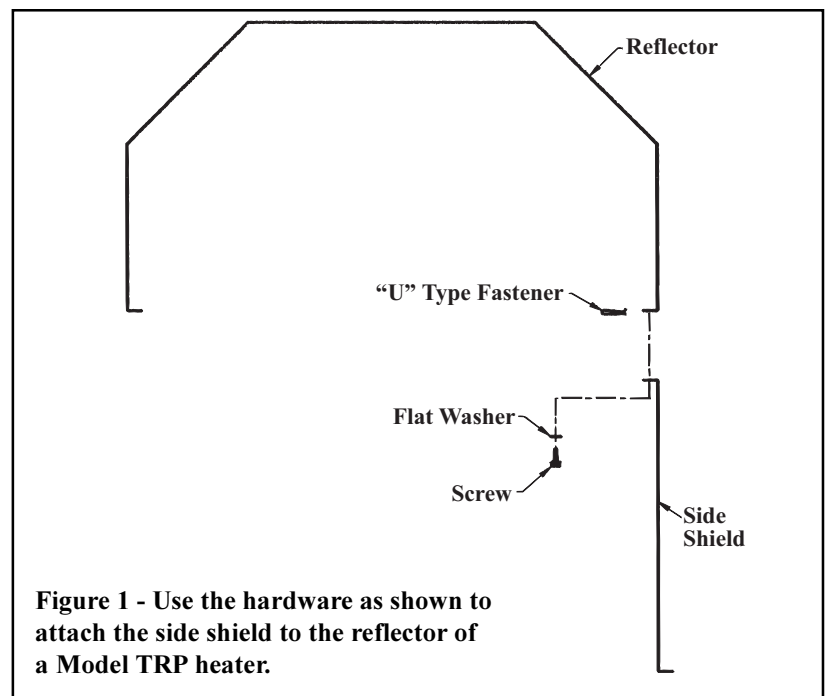
Follow the instructions for the appropriate model:

**Model TRP** - SECTIONS 1 and 3

**Model TR** - SECTIONS 2 and 3

### SECTION 1 - Instructions for Model TRP

Sizes 30 and 60 require two shield sections; Sizes 50 and 100 require four sections. Follow the illustrated instructions in Figure 1 for attaching each section.



# Installation Instructions (cont'd)

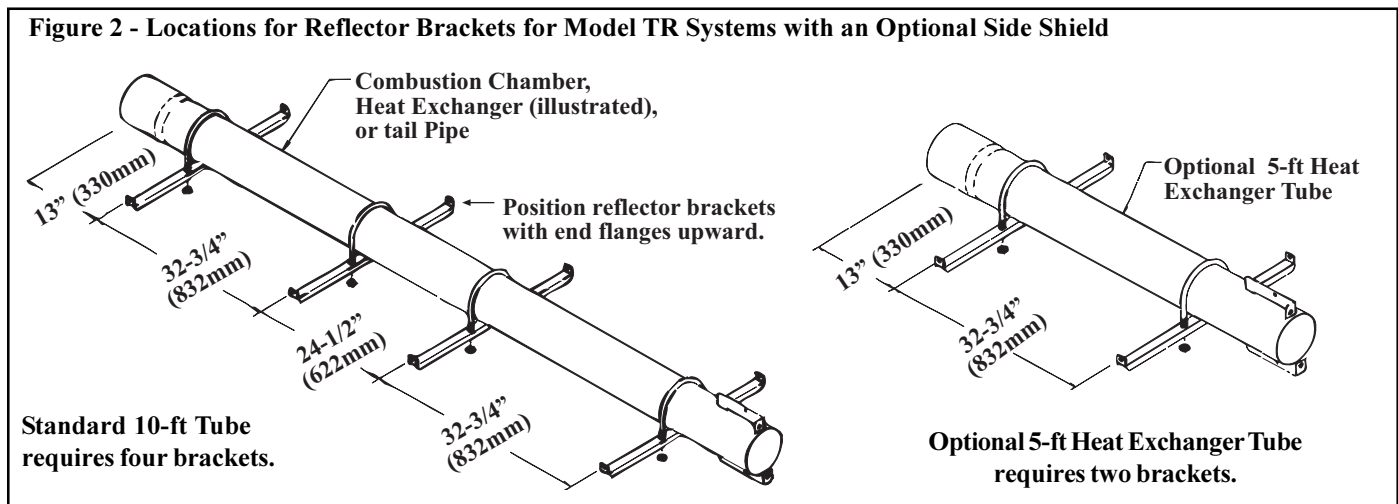
## SECTION 2 - Instructions for Model TR

### Installation Notes:

- If installing a side shield during heater installation, install the reflector brackets and retainers from both the tube packages and the side shield packages.
- If adding a side shield to an existing heater installation, add the reflector brackets from the side shield packages. If necessary, adjust the locations of the existing brackets. Do not attempt to install the side shield while unit is in operation. Install reflector retainers on all brackets.

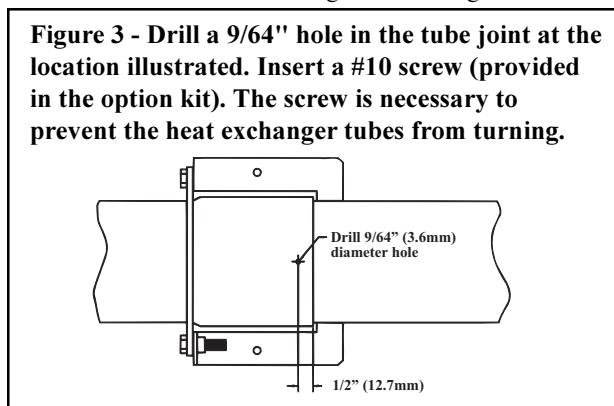
### 1. Model TR - Install Reflector Brackets (Refer to Figure 2)

- Slide the U-bolt over the tube at the determined location.
- Position the reflector bracket as illustrated (end flanges extending upward) and slide the bracket over the bolt ends. Using the nuts, attach the reflector bracket to the U-bolt.
- Repeat the procedure to install all required brackets.

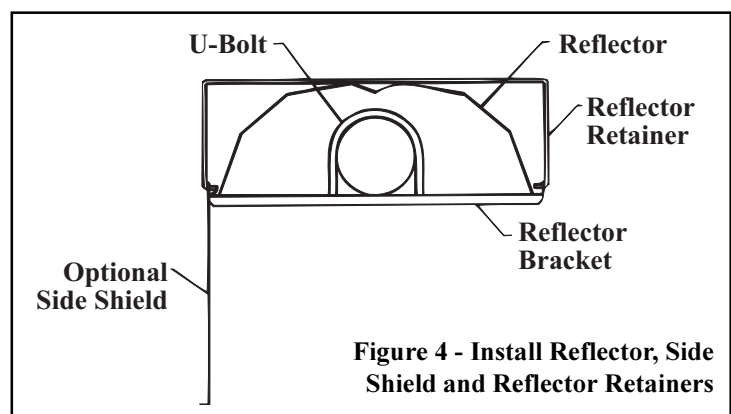


### 2. Install the Reflector, Side Shield, and Reflector Retainers (Refer to Figures 3 and 4)

- Drill a 9/64" diameter hole in tube joint (Refer to Figure 3) and insert a #10-32 x 1/2" long thread-cutting screw.



- Nestle the reflector inside the flanged edges of the reflector brackets (Refer to Figure 4.)
- Hang the side shield sections over the ends of the reflector brackets. The side shield is modular with two sections per each 10-ft tube. **IMPORTANT:** Install side shield on one side of the system only.
- Position a wire retainer over the reflector and hook the ends through the holes in the reflector brackets. Install a retainer at each reflector bracket.



- Repeat the process for each tube until the side shield extends the length of the tubes to be shielded.

Do not rotate the reflector more than 30° when a side shield is installed. The side shield must hang vertically.

## SECTION 3 - Applies to both Models TR and TRP

If installing the side shield during heater installation, follow the instructions in the installation manual (Model TR - Form RGM 456; Model TRP - Form RGM 452) to complete the installation.

If adding a side shield to an existing heater installation, turn on the electric and the gas. Follow the instructions on the lighting instruction plate. Check complete operation of the heater. **CHECK FOR PROPER OPERATION OF ALL SAFETY FEATURES.**

**Thomas & Betts**

©2001 Thomas & Betts Corporation, All rights reserved.

Printed in U.S.A.

MANUFACTURER OF GAS, OIL, ELECTRIC HEATING AND VENTILATING SYSTEMS

**Trademark Note:** Reznor® and INFRA-REZ® are registered in the United States and other countries.

(800) 695-1901; www.ReznorOnline.com

11/01 YL Form 452/456-S (Version .1)