

Outside Air Hood Assembly Instructions, Applies to Options AS2, AS6, AS7

Installation Form RZ 440WH
Obsoletes Form I.S. 440

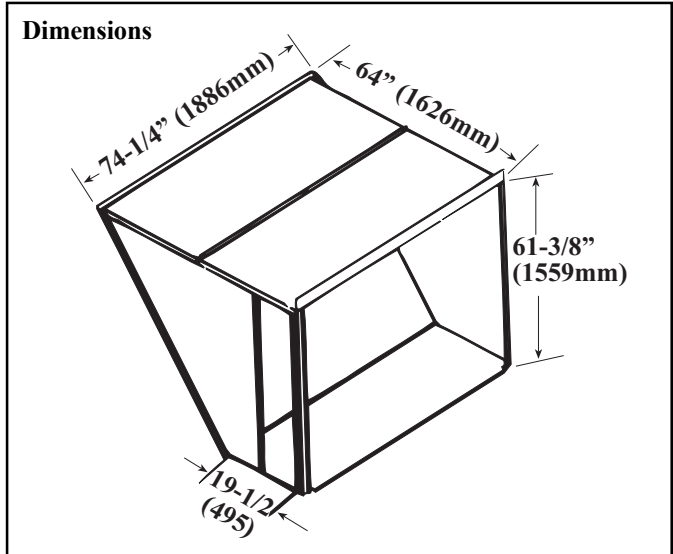
Applies to: Model RDF 3-180 and 3-260

Description

The optional outdoor screened air inlet cabinet and hood (also known as a weatherhood assembly) for the Model RDF-3 units is shipped unassembled. Follow the instructions in this booklet to assemble the weatherhood as it is installed.

These instructions apply to an outdoor screened air inlet without filters, with filter rack and 1" permanent filters, and with filter rack and 2" permanent filters as listed below.

Option	Description	Package P/N
AS2	Outdoor Screened Air Inlet Cabinet and Hood (no filter rack or filters)	71150
AS6	Outdoor Screened Air Inlet Cabinet and Hood with Filter Rack and 1" Permanent Aluminum Filters	71152
AS7	Outdoor Screened Air Inlet Cabinet and Hood with Filter Rack and 2" Permanent Aluminum Filters	72627



Components

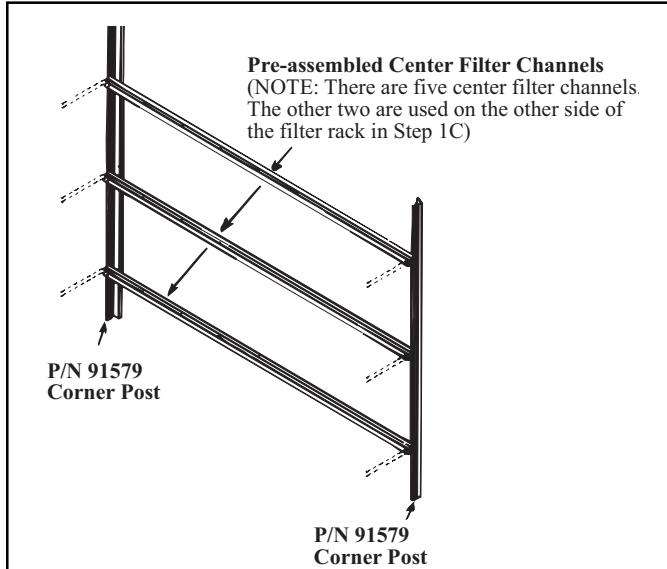
Before beginning installation, verify the parts against the list below. Install the air hood after the unit is set in its final location but before operation startup. Follow the instructions beginning on page 2.

Components	Option AS2		Option AS6		Option AS7	
	Qty	P/N	Qty	P/N	Qty	P/N
Top of Inlet Hood Cabinet Section	1	91575	1	91575	1	91575
Top of Inlet Hood	1	91576	1	91576	1	91576
Clamp for Top Seam (Hood to Cabinet)	1	91577	1	91577	1	91577
Bottom of Hood Cabinet Section	1	91567	1	91567	1	91567
Supports (2 pieces per leg)	6	91581	6	91581	6	91581
Left Side of Hood	1	91568	1	91568	1	91568
Right Side of Hood	1	91569	1	91569	1	91569
Intermediate Posts - Cabinet Section	2	91578	2	91578	2	91578
Right Corner Post - Cabinet Section	1	91579	1	91579	1	91579
Left Corner Post - Cabinet Section	1	91579	1	91579	1	91579
Doors (Filter Access on AS6 and AS7)	2	91585	2	91585	2	91585
Center Louver Top/Bottom Supports	2	91582	2	91582	2	91582
Factory-assembled Louver Sections with Screens	2	113003	2	113003	2	113003
Top and Bottom Filter Channels		N/A	2	91580	2	94224
Pre-assembled Center Filter Channels		N/A	5	91586	5	94223
Top Filter Block Off Plate		N/A	1	91584	1	98764
Bottom Filter Block Off Plate		N/A	1	91584	1	98764
Filter Block Off Sections		N/A	6	95335	6	96335
Permanent Filters		N/A	12	1", 87251	12	2", 94383
Sheetmetal Screws #10 x 1/2" long	100	11813	100	11813	100	11813
Screws 1/4-20 x 5/8" long (bolt type)	15	10393	15	10393	15	10393
Hex Nuts 1/4-20 (Keys)	15	7328	15	7328	15	7328
Sheetmetal Screws #14-110 x 3/4" long	3	41463	3	41463	3	41463
Tinnerman Clip, Palnut #PW-1880-008-21	5	87900	5	87900	5	87900

Assembly and Installation Instructions (Do not install while system is operating.)

- Option AS2, Screened Air Inlet Hood *without* Filters - Skip filter rack assembly Steps 1A-1C; start with Step 1D
- Option AS6, Screened Air Inlet Hood *with* 1" Filters - Start with Step 1A
- Option AS7, Screened Air Inlet Hood *with* 2" Filters- Start with Step 1A

1. Assemble Cabinet

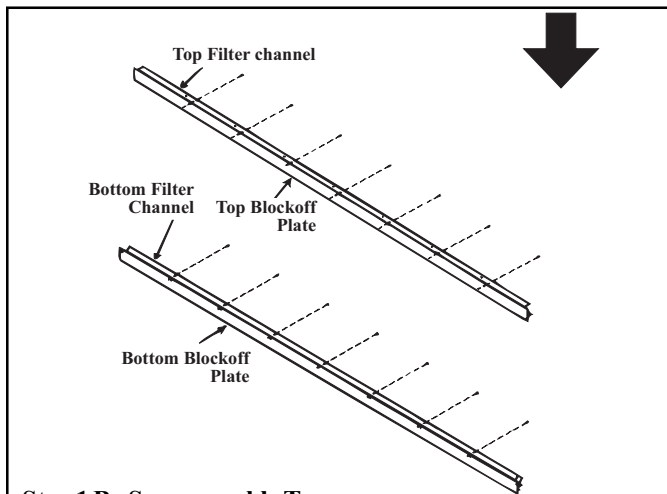


Step 1A - Assemble Inner Side of Filter Rack (Applies to Options AS6 and AS7 only; for Option AS2 without filters, proceed to Step 1D)

Parts Required -- Right corner post, left corner post, three of the five pre-assembled center filter channels, and twelve 1/2" long screws
 Corner posts come with two sets of holes.

For 1" filters (Option AS6), attach the three filter channel assemblies using the holes in the corner posts closest to the inside.

For 2" filters (Option AS7), attach the three filter channel assemblies using the holes in the corner posts closest to the outside edge.



Step 1B - Sup-assemble Top and Bottom Filter Channels and Filter Blockoff Plates (AS6 & AS7)

Parts Required - Top and bottom filter channel; top and bottom filter blockoff plates; and 14 screws (1/2" long)

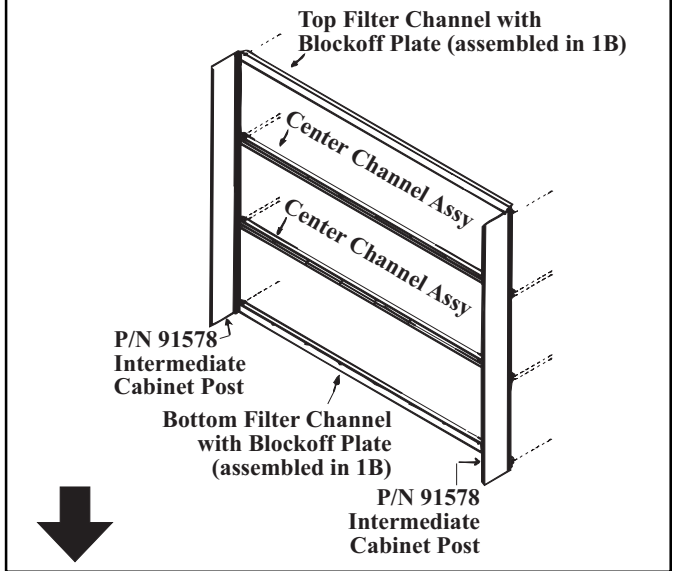
Assemble the top blockoff plate and the top filter channel being sure the filter channel groove is on the same side as the 90° bend in the blockoff plate but directed away from it. Use seven screws to attach the top blockoff plate to the top filter channel. Repeat the process with the bottom filter channel and bottom blockoff plate.

Step 1C - Assemble Outer Side of Filter Rack (Options AS6 and AS7 only)

Parts Required - Two intermediate posts; two remaining pre-assembled center filter channels; the top and bottom filter channel/blockoff plate assemblies from Step 1B; and 12 sheetmetal screws (1/2" long)

For 1" filters (Option AS6), attach the channel assemblies to the holes closest to the inside of the intermediate posts.

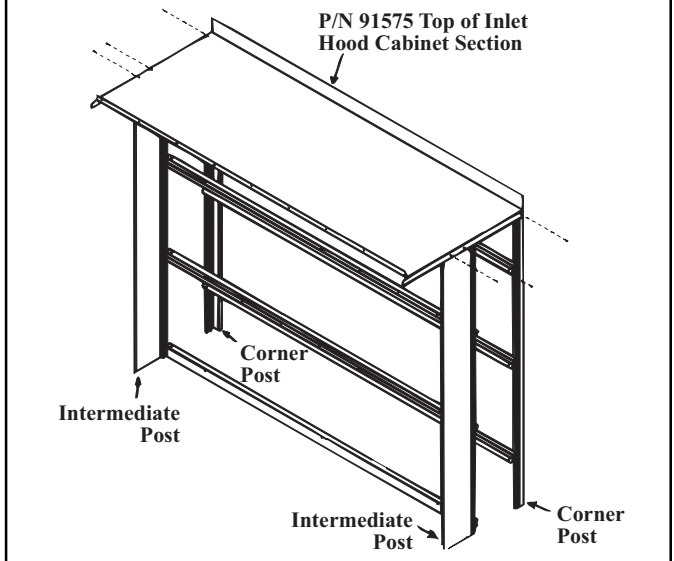
For 2" filters (Option AS7), attach the channel assemblies to the holes closest to the outside edge of the posts.



Step 1D - Attach Cabinet Section To Corner Posts and Intermediate Posts (Options AS2, AS6, and AS7)

Parts Required - Cabinet top; the two corner cabinet posts (if inlet hood with filters, posts will be sub-assembled to filter channels - Step 1A) (if AS2 with no filters, ignore illustrated filter rack); the two intermediate cabinet posts (if inlet hood with filters, posts will be sub-assembled to filter channels - Step 1C); and six 1/2" long sheetmetal screws.

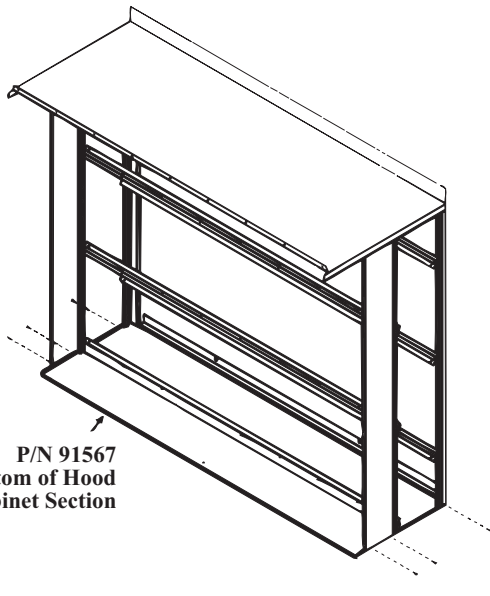
Attach cabinet section top to the four posts as illustrated.



Step 1E - Attach Cabinet Section Bottom

Parts Required - Subassembly from Step 1D; cabinet section bottom; and six 1/2" sheetmetal screws.

Position the cabinet section bottom to the inside of the four posts (corners). Attach as illustrated.

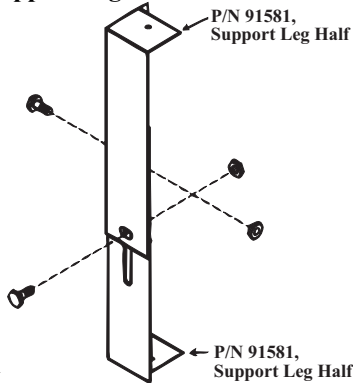


2. Assemble and Install Support Legs

Step 2A - Sub-assemble Support Legs

Parts Required - Six support leg halves and six 5/8" bolts and nuts

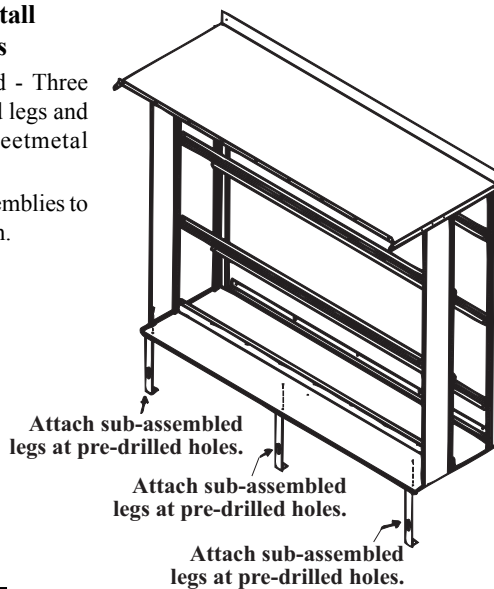
Assemble support legs as illustrated. Adjust legs to shortest length and tighten bolts finger tight. Length of supports will be re-adjusted to suit the application after cabinet is installed.



Step 2B - Install Support Legs

Parts Required - Three sub-assembled legs and three 3/4" sheetmetal screws

Attach leg assemblies to cabinet bottom.

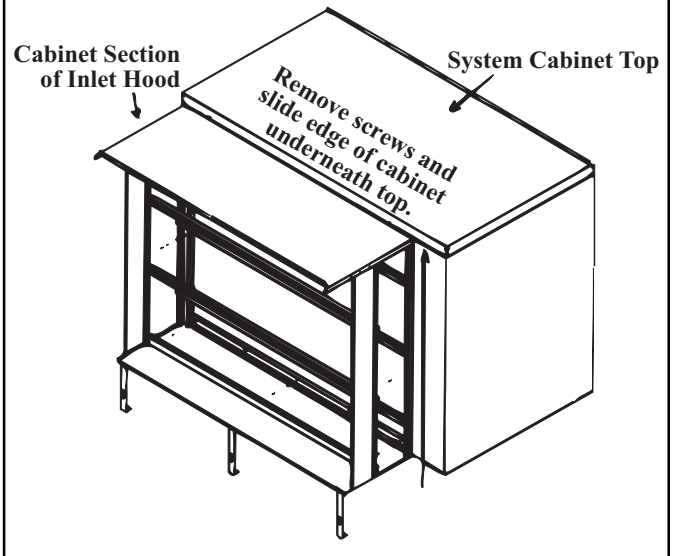


3. Attach Assembled Cabinet Section

On the air inlet opening side of the system cabinet, remove the sheetmetal screws from the bottom rear inset and the screws across the top edge.

Align the edges of the inlet hood cabinet section with the grooves in the system cabinet. Slide top edge of the inlet hood cabinet section underneath the edge of the system cabinet top.

Rotate the assembly so that it fits into the recess across the bottom of the cabinet opening. Attach by replacing the two corner screws and one center screw across the top, the three screws across the bottom, and one halfway up on each side as illustrated. Adjust the support legs to the appropriate height and tighten bolts securely.

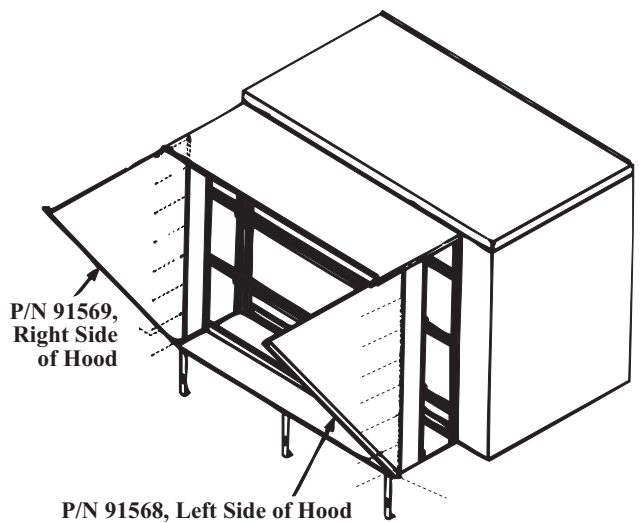


4. Assemble Air Inlet Hood Section with Louvers

Step 4A - Attach Hood Sides

Parts Required - Right and left triangular shaped sides and 18 sheetmetal screws (1/2" long)

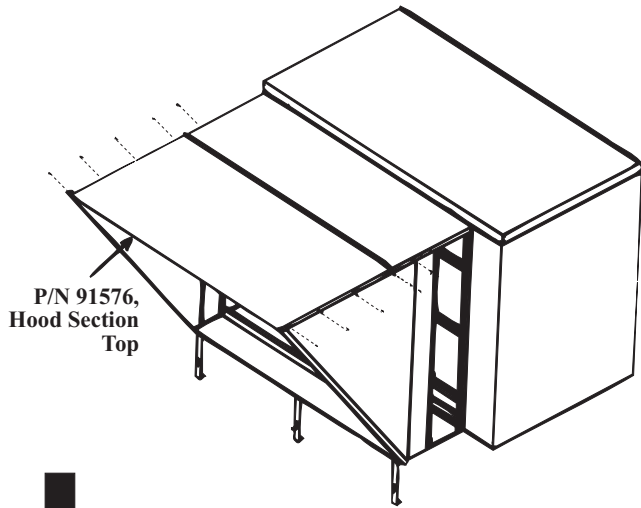
Attach the sides to the intermediate posts and bottom panel of the installed cabinet section.



Assembly and Installation Instructions (cont'd)

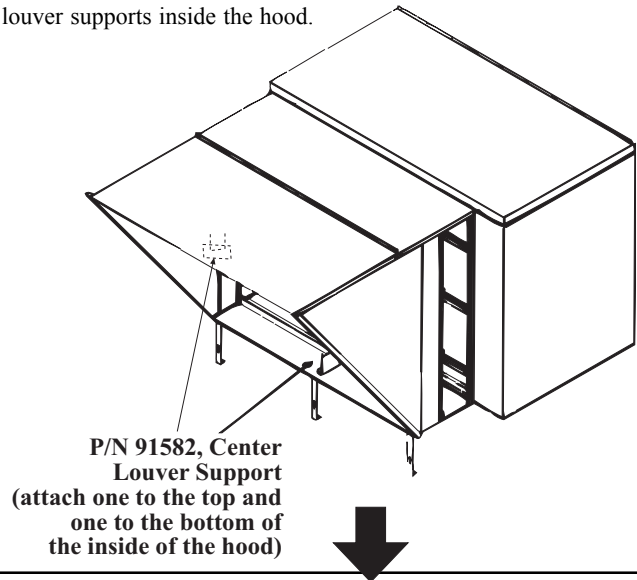
Step 4B - Attach Hood Section Top

Parts Required - Hood section top and ten 1/2" long screws
Attach hood section top as illustrated.



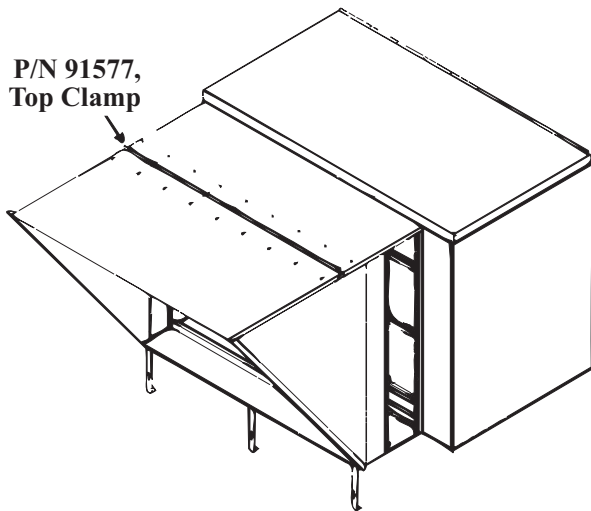
Step 4D - Install Center Louver Supports

Parts Required - Center louver supports and four 1/2" long screws
At the holes in the center of the top and bottom of the hood, use the screws to attach the center louver supports inside the hood.



Step 4C - Install Top Clamp

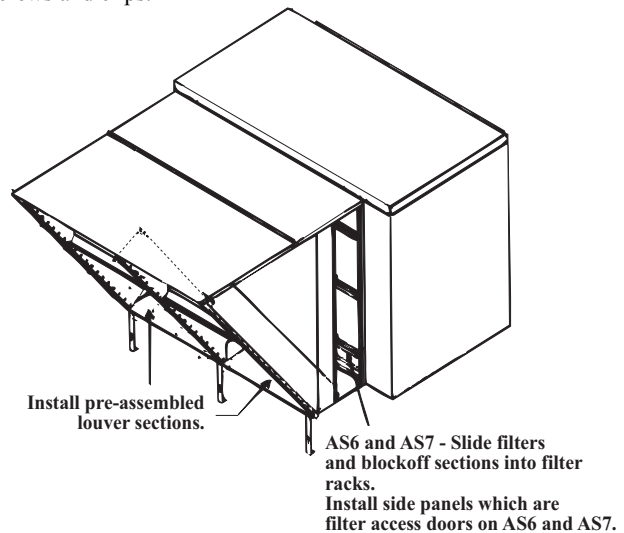
Parts Required - Top clamp and nine 5/8" long screws (bolt type) and nuts
Fit clamp over seam and attach as shown with bolt-type screws and nuts.



Step 4E - Install Louvers

Parts Required - Two factory-assembled louver sections; 19 screws (1/2" long); and five Tinnerman clips

Position one louver section in the left side of the hood; attach it to the hood side and the center supports. Install the other louver section in the right side. In the center, join the two louver sections with five screws and clips.



5. Install Filters, Block Off Sections, and Side Panels

On cabinets with filters, slide the filters and blockoffs on to the filter racks.

If the system has an optional dirty filter switch, follow the instructions in the installation manual (Form 440) to connect the sensing tubes.

Slide the "door" panels into position on each side of the cabinet section. Fasten each panel with two 1/2" long screws.

Follow the instructions in the installation manual (Form 440) to complete installation and startup of system.

©2001 Thomas & Betts Corporation, All rights reserved. Printed in the U.S.A.
MANUFACTURER OF HEATING, COOLING, AND VENTILATING SYSTEMS

Trademark Note: Reznor® is registered in the United States and other countries.
(800) 695-1901; www.ReznorOnLine.com
2/01 POD Form 440WH (Version .2)

Thomas & Betts