

HAZARD INTENSITY LEVELS

- DANGER:** Failure to comply will result in severe personal injury or death and/or property damage.
- WARNING:** Failure to comply could result in severe personal injury or death and/or property damage.
- CAUTION:** Failure to comply could result in minor personal injury and/or property damage.

REZNOR *Thomas & Betts*



OPTION CD9 DUCT FLANGE ADAPTER

INSTALLATION FORM RGM 434/436-DF (Version A)
Obsoletes Form 434/436-DF

APPLIES TO: Models B and BE

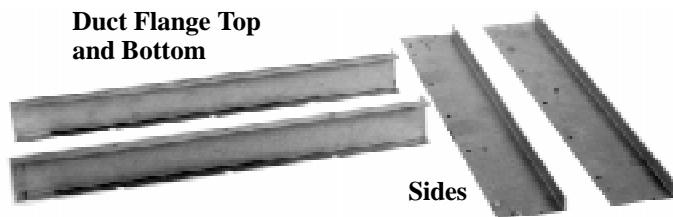
OPTION DESCRIPTION

The duct flange option is designed to facilitate connection to warm air ductwork. This option applies only to blower model unit heaters.

The option packages include:

OPTION CD9 Duct Flange Adapter	25-50		75		100		125		130		165		200		250-300		400	
	Qty	P/N	Qty	P/N	Qty	P/N	Qty	P/N	Qty	P/N	Qty	P/N	Qty	P/N	Qty	P/N	Qty	P/N
Option Package P/N		101194		101195		101501		135591		101196		101197		101198		101199		101200
Flange Top and Bottom	2	101155	2	101156	2	101157	2	101159	2	101157	2	101158	2	101159	2	101160	2	101161
Duct Flange Sides	2	101163	2	101163	2	101163	2	101163	2	101164	2	101164	2	101164	2	101164	2	101164
Screws, #10 x 1/2" long	6	11813	6	11813	6	11813	6	11813	6	11813	6	11813	6	11813	6	11813	8	11813
Screws, #10 x 3/8" long	4	96426	4	96426	4	96426	4	96426	6	96426	6	96426	6	96426	6	96426	6	96426

Figure 1 - Duct Flange Option Kit



WARNING

Improper installation, adjustment, alteration, service, or maintenance can cause property damage, injury or death. Read the installation, operation, and maintenance instructions thoroughly before installing or servicing this equipment.

INSTALLATION INSTRUCTIONS

Installation should be done by a qualified agency in accordance with the instructions on this sheet and in compliance with all codes and requirements of authorities having jurisdiction.

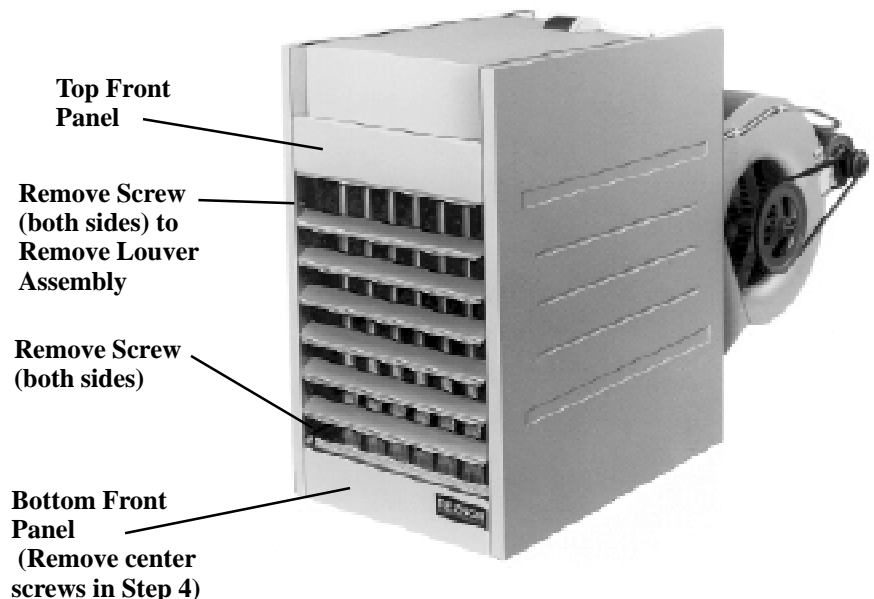
- If the heater is installed, **turn off the gas and the electric power.** Allow time for the louvers to cool before beginning installation of the duct flange.

2. Remove the Horizontal Louver Assembly (See Figure 2.)

Remove the screws that attach the sides of the horizontal louver assembly to the inner side panels of the heater.

Remove the louver assembly.

Figure 2 - Blower-Type Unit Heater with Standard Horizontal Louver Assembly (Remove Louver Assembly to Install Duct Flange)



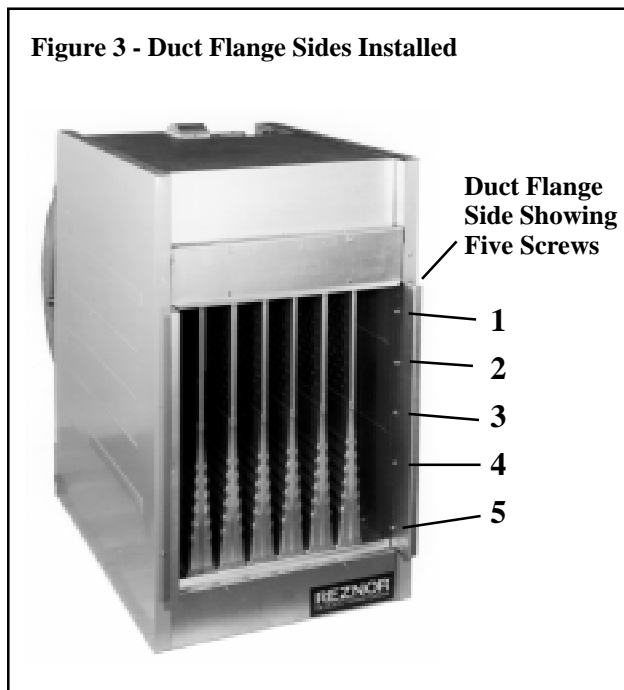
INSTALLATION INSTRUCTIONS (cont'd):

3. Install Duct Flange Sides (See Figure 3.)

Using the screws removed and the holes for the louver assembly, attach the duct flange sides at the top and bottom. (Duct flange sides are interchangeable; there is no right or left piece.)

Additional screws are required on each side. On Sizes 25-125, two additional screws are required; on Sizes 130-400, three additional screws are required per side. Drill 3/32" diameter holes in both inner side panels of the heater.

Use the 3/8" long screws to finish attaching the duct flange sides. (Since the duct flange sides are interchangeable, there will be one hole at each end that is not used.)



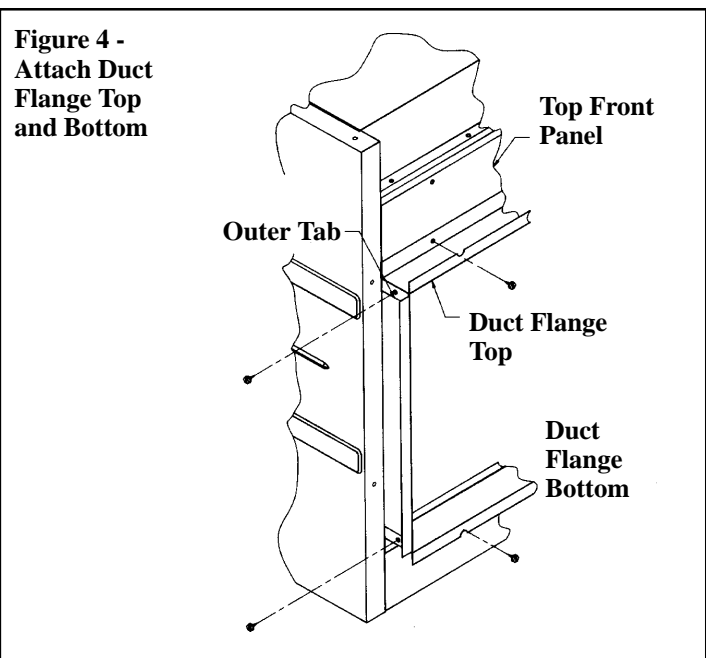
4. Attach Duct Flange Top and Bottom (See Figure 4)

Duct Flange Top Instructions

- 1) Position the duct flange top with the outer tabs down over the outside of the side pieces.
- 2) Using the pre-punched holes in the heater top front panel, attach the duct flange top.
- 3) Insert the corner screws in the top and the sides with the screw ends to the inside of the duct flange.

Duct Flange Bottom Instructions

- 1) Remove the screws from the bottom front panel of the heater.
- 2) Position the duct flange bottom with the tabs over the sides.
- 3) Attach, using the screws removed from the front of the heater.
- 4) Insert the corner screws attaching the bottom and sides with the screw ends to the inside of the duct flange.



5. When the installation of the duct flange option and the ductwork is complete, turn on the electric power and the gas and relight the heater following the instructions on the lighting instruction plate.

SIZE OF DUCT CONNECTION (inches)		
Heater Size	Width	Height
25-50	10-3/4	15-7/8
75	12-3/4	15-7/8
100	14-3/4	15-7/8
125	20-1/2	15-7/8
130	14-3/4	23-7/8
165	17-1/2	23-7/8
200	20-1/2	23-7/8
250-300	26	23-7/8
400	34-1/4	23-7/8

DUCTWORK

Ductwork should be fitted over the vertical flange and fastened to the top, bottom and sides with sheetmetal screws. Seal joints with duct tape to prevent air leaks.

Proper size ductwork based on CFM and static pressure is a must for a good heating installation.

WARNING: On gravity-vent models, check for air leakage that may be entering the relief opening of the draft hood. Any leakage must be sealed for safe and reliable operation. Failure to do so could result in personal injury, death and/or property damage.

Calculating heat loss is a prerequisite to determining duct designs for any good warm air heating system. It is recommended that a simplified method for heat loss calculation be followed. The recognized authority for such information is the Air Conditioning Contractors Association, 1228-17th Street N.W., Washington D. C. 20036. A manual covering duct sizing in detail may be purchased from them.

All warm air supply ducts should be equipped with dampers so that air delivery may be properly balanced.