

WARNING: Improper installation, adjustment, alteration, service or maintenance can cause property damage, injury or death. Read the installation, operation, and maintenance instructions thoroughly before installing or servicing this equipment.

REZNOR *Thomas&Betts*



OPTION CH1 MANUAL SUMMER/WINTER FAN SWITCH

INSTALLATION FORM RGM 434/436-SWF
OBSOLETE FORM 434/436-SW

APPLIES TO:

Models F and FE

Option Description

The optional summer/winter switch is designed to provide manual control of fan operation.

The option package includes:

OPTION CH1 Manual Summer/Winter Fan Switch	Qty	F and FE	
		25-300 P/N	400 P/N
Option Package P/N		98484	98485
Summer/Winter Switch with pull cord	1	3745	98148
Instruction Sheet	1	98294	98294

Tools Required: 5/16" Nut Driver

Installation Instructions

Installation should be done by a qualified agency in accordance with these instructions and in compliance with all codes and requirements of authorities having jurisdiction.

1. If the heater is installed, turn off the gas and turn off the electrical power.
2. Remove the outer side panel on the left side of the heater (left when facing the back of the heater), exposing the inner side panel and wiring.
3. On the rear edge of the inner side panel, locate a 1/2" diameter hole (See Figure 1). Insert the chain and the front of the switch through the hole. Arrange the knurled nut as shown in Figure 1 and tighten firmly by hand.
4. Wire the summer/winter switch as shown on the specific wiring diagram included with your heater or refer to the general diagram on the reverse side of this sheet.
5. Replace the outer side panel. (See Figure 2.)
6. Install the pull cord on the summer/winter switch.
7. If the heater is installed, turn on the electric power and the gas and re-light, following the instructions on the heater. Check the operation of the summer/winter switch. **CHECK FOR PROPER OPERATION OF ALL SAFETY FEATURES.**

If the heater is not installed, be sure to support the bottom with plywood or other appropriate material. Follow the installation instructions provided with the heater and check for proper operation of the summer/winter switch.

Figure 1 - Installation of Summer/Winter Switch for Fan Operation

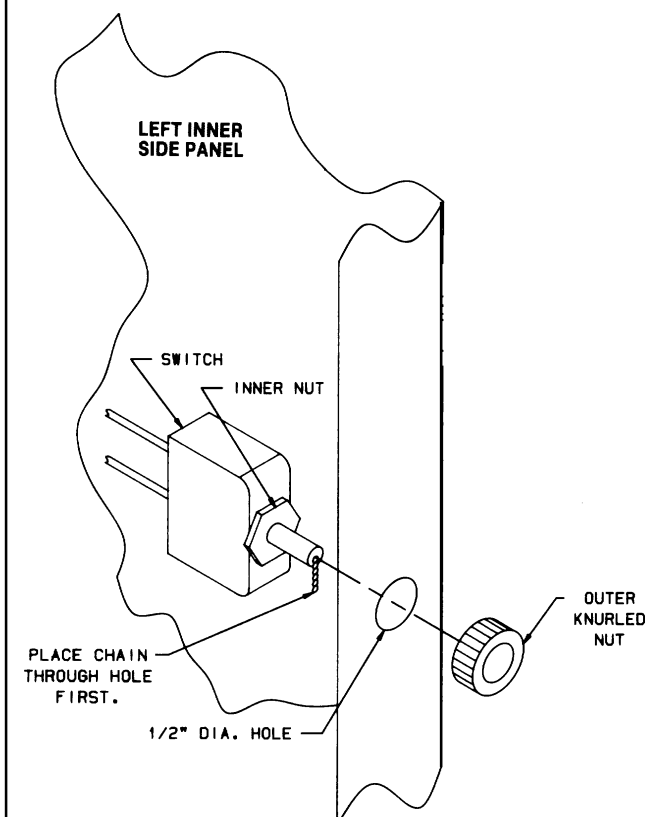
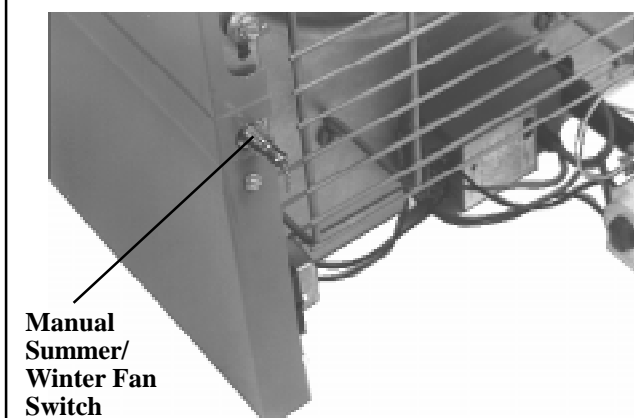
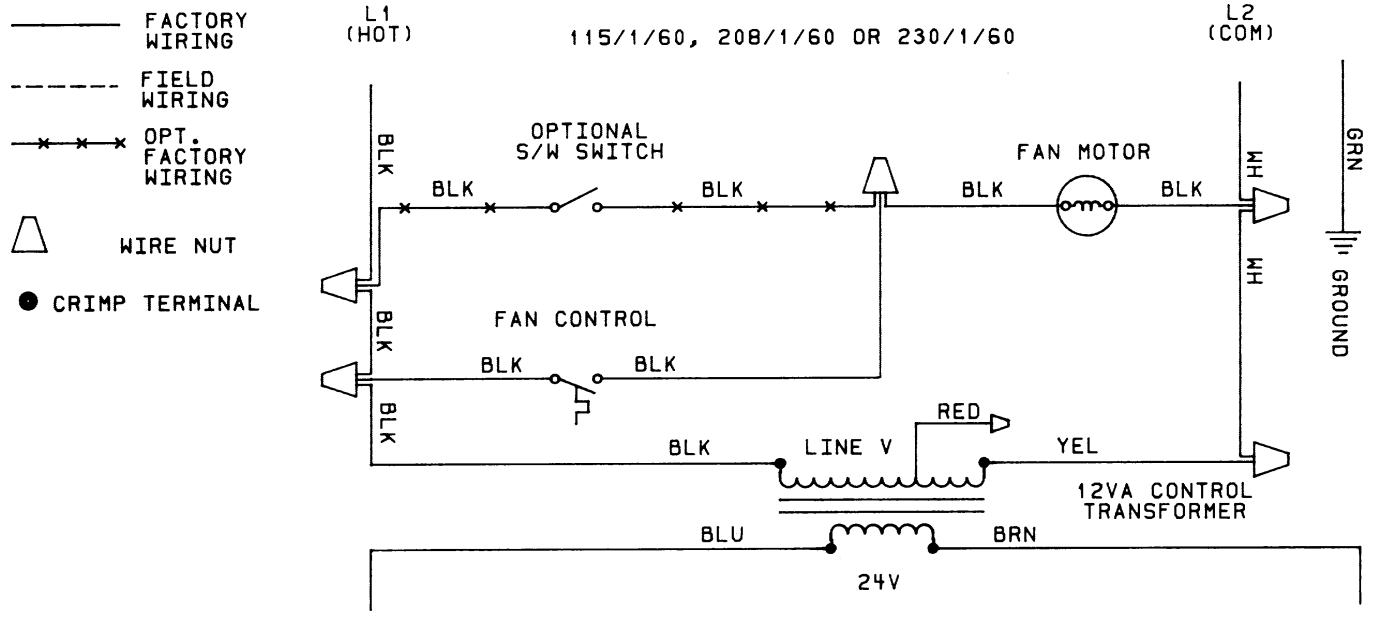


Figure 2 - Summer/Winter Switch Installed



Wiring Diagram - Option CH1, Manual Summer/Winter Switch on Fan-Type Unit Heater



Thomas & Betts