



**REZNOR** *Thomas & Betts*

# Ceiling Suspension Kit, Option CK22

INSTALLATION FORM RZ-NA 432/433-HK

APPLIES TO:

Models FT and SFT

## Description/Application

This kit includes a set of suspension angles that will allow the installer to attach the heater directly to the ceiling without the use of hanger rods. The suspension angles are designed to provide the required clearance above the heater. These suspension angles may be used on Reznor Model FT 30, 45, 60 and 75 and Model SFT 45, 60, and 75.

Each Option Package CK22, P/N 195058, includes:

Qty	P/N	Description
2	194931	Suspension Angle

**Installation NOTE:** If optional vertical louvers are being added, the suspension angles must be installed before the vertical louvers.

## Installation Instructions

Installation should be done by a qualified agency in accordance with the instructions on this sheet and in compliance with all codes and requirements of authorities having jurisdiction.

Before suspending the heater, check the supporting structure to be used to verify that it has sufficient load-carrying capacity to support the weight of the unit.

Weight - Model SFT				
Size	--	45	60	75
lbs	--	85	110	120
kg	--	39	50	54
Weight - Model FT				
Size	30	45	60	75
lbs	60	66	84	90
kg	27	30	38	41

**WARNING: Improper installation, adjustment, alteration, service or maintenance can cause property damage, injury, or death. Read the installation, operation and maintenance instructions thoroughly before installing or servicing this equipment.**

Refer to the illustration in Figure 1.

- 1) Along the top front of the heater, remove **all** sheetmetal screws that secure the edge of the cabinet top. (NOTE: The number of screws will vary by heater size and from front to rear of cabinet. **Always remove and re-use all screws; always use the same holes.** Some holes are for attaching optional vertical louvers only and do not secure cabinet top.)
- 2) Position the suspension angle along the front edge of the cabinet as illustrated, lining it up with the holes "emptied" in Step 1). Using all the screws and the same holes, attach the suspension angle to the front of the heater.
- 3) Repeat Steps 1) and 2), attaching the second suspension angle along the rear of the heater.

The heater may now be lifted and attached directly to the ceiling structure using a minimum of two anchor points per suspension angle. When lifting the heater into position, support the bottom with plywood or other appropriately placed material. If the heater is not supported, damage could occur. The suspension angles are designed to provide the required top clearance. All clearances must be maintained.

### Required Clearances:

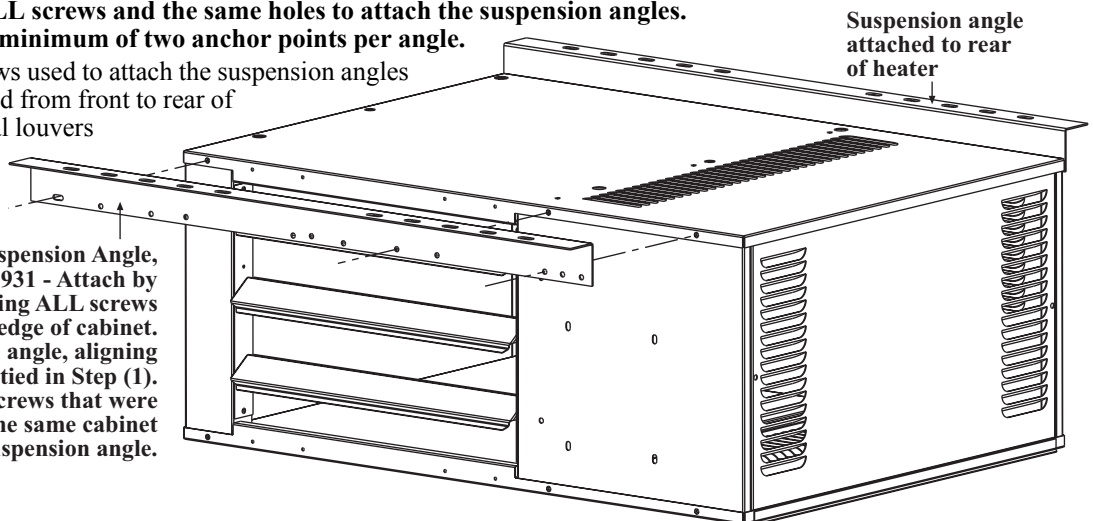
Top	1" (25mm)
Flue Connector	6" (152mm)
Access Panel	25" (508mm)
Non-Access Side	1" (25mm)
Bottom	18" (457mm)
Rear	18" (457mm)

**Figure 1 - Installation of Suspension Angles and Suspension - Remove ALL sheetmetal screws from across the top edge of the cabinet. Re-use ALL screws and the same holes to attach the suspension angles.**

**When suspending, use a minimum of two anchor points per angle.**

NOTES: Quantity of screws used to attach the suspension angles will vary by heater size and from front to rear of cabinet. If optional vertical louvers are being added, install louvers after suspension angles are attached.

- Suspension Angle, P/N 194931 - Attach by
- (1) removing ALL screws across top edge of cabinet.
  - (2) Position suspension angle, aligning holes with same holes emptied in Step (1).
  - (3) Using ALL screws that were removed and the same cabinet holes, attach suspension angle.



**Thomas & Betts**

©2001 Thomas & Betts Corporation, All rights reserved.

Printed in the U.S.A.

MANUFACTURER OF HEATING, COOLING, AND VENTILATING SYSTEMS

**Trademark Note:** Reznor® is registered in the United States and other countries.

(800) 695-1901; www.ReznorOnLine.com

5/01 Form RZ-NA 432/433-HK

Mfg No. 195059, Page 1