



# HEATER STAND OPTION ST-1

INSTALLATION FORM RZ-NA 417/461-HS

APPLIES TO: Oil Tank Model OT

## Description/Application

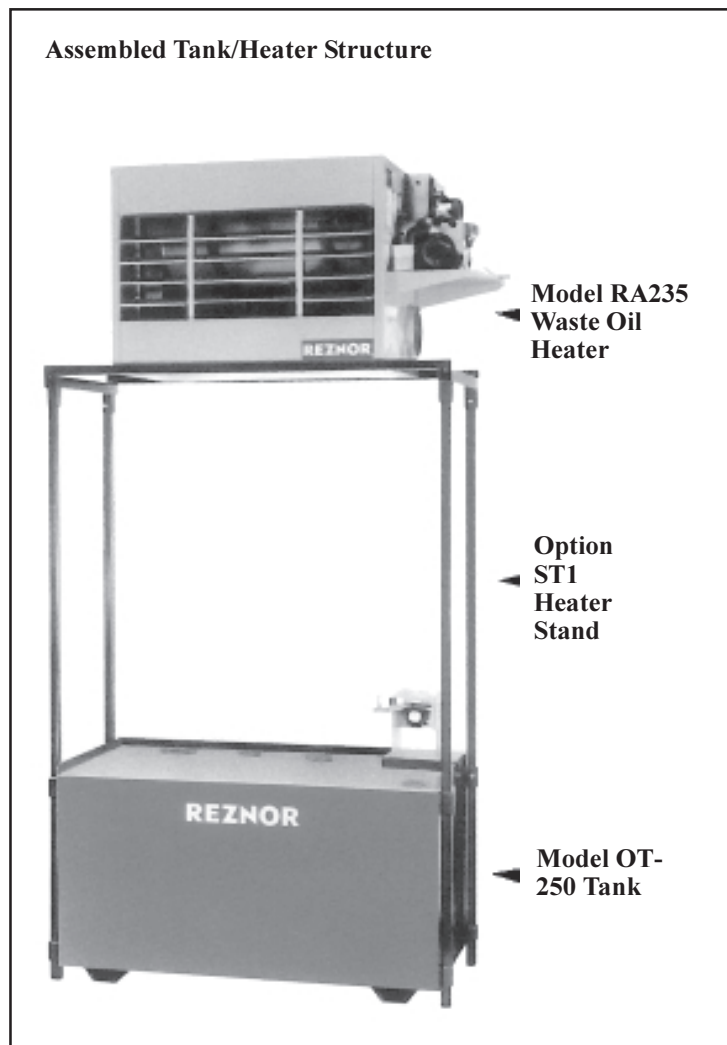
This heater stand option is designed to be field- assembled to a Model OT-250 oil supply tank for the purpose of supporting a Reznor® fan-type, oil-fired unit heater. Adding the optional stand to the tank creates a unified tank/heater structure. Suspension of the heater is not required when it is installed on the optional stand.

The Option ST1 heater stand may **only** be used with a Reznor® **Model OT-250** oil tank and one of either a Reznor® **Model RA110, RA140, RA235, OH95, OH140, or OH190 fan-type**, oil-fired unit heater. (NOTE: This stand may not be used with fan-type Reznor® Models RA350 or RA500.)

Option Package, P/N 119376, includes:

Qty	P/N	Description	
4	121589	Corner Posts, 1-1/2" square tubing, approximately 8 feet long	
2	121590	Tube Bracket Assemblies, 2" square tubing	
2	121591	Front and Rear Support Angles 1-1/2" x 1-1/2" x 64" long	
4	121592	Angle stops, 1-1/2" x 1-1/2" x 1-5/16" long	
4	121593	Hex Head Cap Screws, 1/2-13 x 3/4" (for attaching support angles)	Hardware used in Step 4.
4	121594	Hex Head Nuts, 1/2-13	
4	121595	Flat Washers, 1/2"	
8	121596	Hex Head Cap Screws, 1/2-13 x 1-1/2" (set screws)	Hardware used in Step 5.
8	122102	Hex Jam Nuts, 1/2 -13 (for set screws)	
4	16247	Hex Head Cap Screws, 5/16-18 x 3/4" (for attaching stops)	Hardware used in Step 6.
4	6554	Hex Head Nuts, 5/16-18	
4	27761	Flat Washers, 5/16"	
4	1333	Lock Washers, 5/16"	

Before beginning installation, verify components against the above list. Check for any damage. If damage is found, file a claim with the transporting agency.



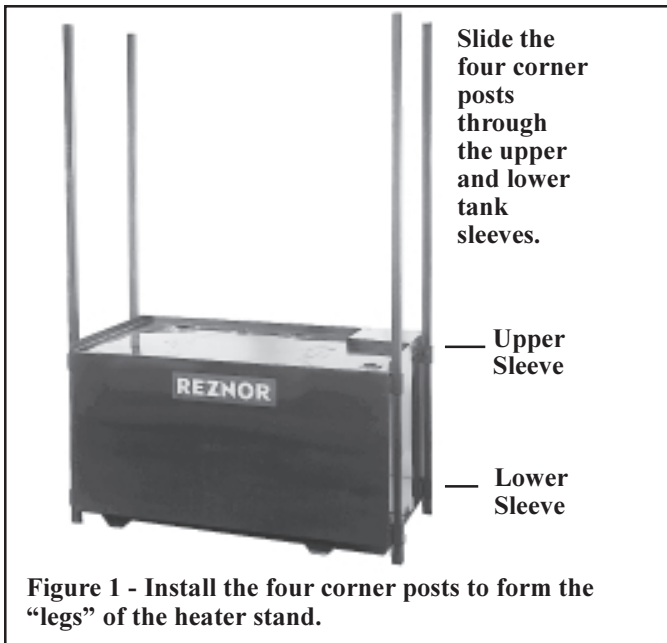
**WARNING: Do not attempt to adapt this stand to fit any other oil tank, use only with Reznor® Model OT-250 above ground oil supply tank. Use stand only with Reznor® oil-fired, fan-type unit heater models listed. Do not use optional stand with blower-type (ductable) unit heaters. Do not use stand with fan-type unit heaters larger than those listed.**

# Installation Instructions

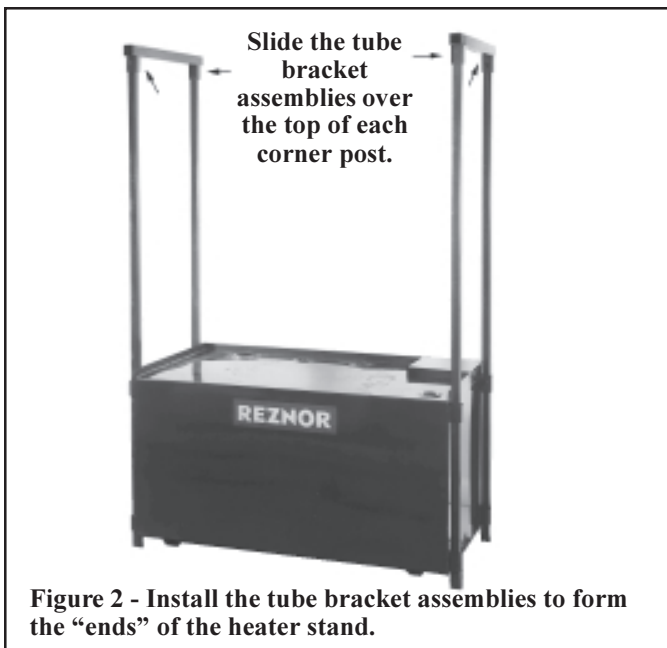
1. **Model OT-250 Oil Tank** – If the tank has not been installed, follow the handling instructions supplied with the tank. Contact the local fire marshal to assure compliance with local regulations and codes. The oil supply tank must be installed in accordance with national and local codes.

Proper tank installations is the responsibility of the installer. Select the tank location with consideration for tank venting requirements, heater clearances (refer to the heater installation manual), and heater venting. Tank must be level and stable.

2. **Install Heater Stand Corner Posts** – Slide the four corner posts (8-ft lengths of square tubing) down through the upper and lower sleeves that are welded to the ends of the tank. See Figure 1.



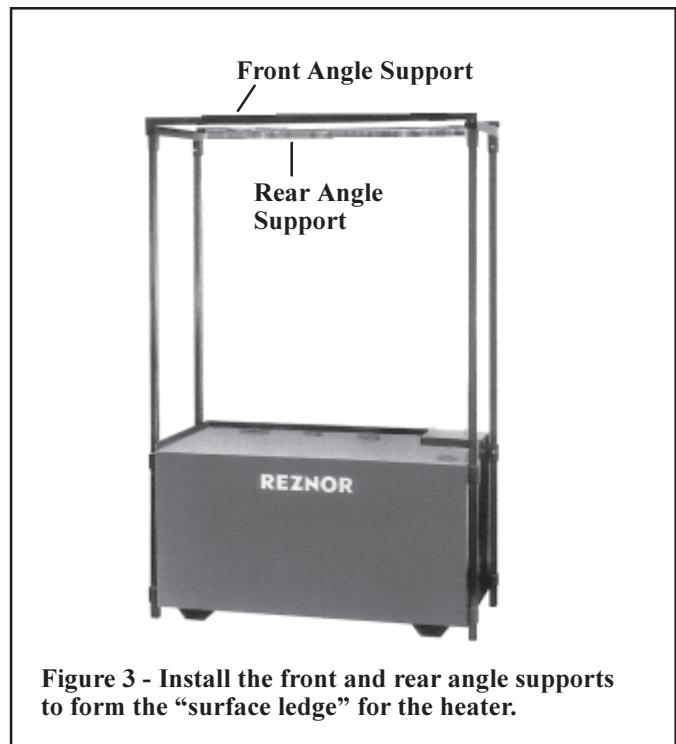
3. **Install Tube Bracket Assemblies** – Connect the post at the ends of the tanks by sliding a tube bracket over the top of each post. See Figure 2.



4. **Install Front and Rear Support Angles** – When installed, the front and rear support angles form a rectangle by joining the two front corner posts and the two rear corner posts. See Figure 3.

(a) **Front Support** – Place a support angle across the top and turn so that the 90° angle is facing inward (creating a ledge to support the heater). Line up the holes in the ends of the support angle and the tube bracket assemblies. From the top, insert ½ -13 x 3/4" long hex head screws. Secure with ½" flat washers, lock washers, and nuts.

(b) **Rear Support** – Repeat the procedure with the rear support angle, being sure the angle is positioned correctly.



5. **Install Set Screws** – Because the corner posts are 1½” square tubing and the sleeves and tube brackets are 2”, **set screws with jam nuts are required** to stabilize the stand.

(a) **Assemble Set Screws and Jam Nuts** – Thread a nut down the length of each of the eight 1½” set screws.

(b) **Install Set Screws in Upper Tank Sleeves** – Each of the four upper tank sleeves has a nut welded around a hole. See Figures 1 and 4A (Photo does not show **required** jam nut). Thread an assembled set screw and nut into one of the four upper tank sleeves. Tighten the screw to 190 in-lbs. Finger tighten the jam nut against the sleeve nut. Using a wrench, tighten the jam nut 1/8 to 1/4 turn.

Repeat the process at the other three upper tank sleeves.

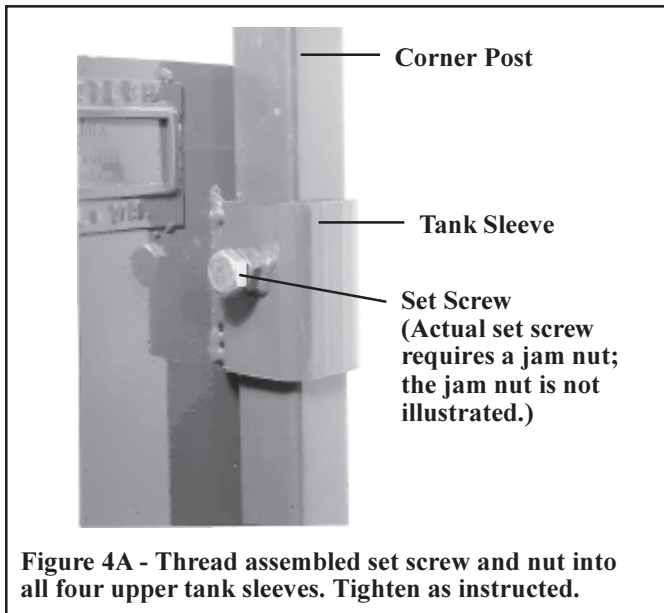


Figure 4A - Thread assembled set screw and nut into all four upper tank sleeves. Tighten as instructed.

(c) **Install Set Screws in Tube Bracket Assemblies** – At the four corners of the heater stand, each of the tube bracket assemblies has a nut welded around a hole. See Figures 2 and 4B (Photo does not show **required** jam nut). Thread an assembled set screw and nut into one of the four tube bracket assemblies. Tighten the screw to 190 in-lbs. Finger tighten the jam nut against the sleeve nut. Using a wrench, tighten the jam nut 1/8 to 1/4 turn.

Repeat the process at the other corners.

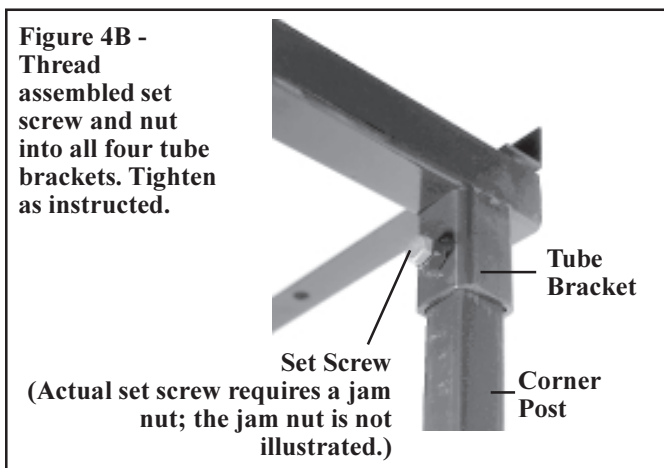


Figure 4B - Thread assembled set screw and nut into all four tube brackets. Tighten as instructed.

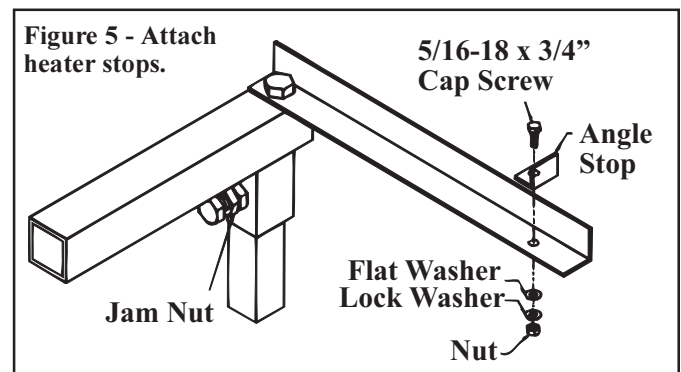
**WARNING: Do not sit on, climb, or hang from any part of the heater stand. Do not lean a ladder against the heater stand structure or the heater.**

6. **Install Heater Angle Stops** – The four heater angle stops attach to the front and rear support angles. Their positioning depends on the size of the heater being installed. Select the holes to use from the chart below and follow the instructions to attach the stops.

(a) Model Chart for positioning heater angle stops.

Heater Models	Holes for Angle Stops
RA110 and 140	Use the four <b>inner</b> holes
OH95	Use the four <b>inner</b> holes
RA235	Use the four <b>outer</b> holes
OH 140 and 190	Use the four <b>outer</b> holes

(b) With the 90° angle facing the end of the tank stand (See Figure 5), secure each stop with the hardware provided (5/16-18 x ¾” long screw, flat washer, lockwasher, and nut).



7. Assembly of the heater stand is complete. Before setting the heater on the stand, verify the following:

- Are all bolted connections, set screws, and jam nuts tightened sufficiently?
- Is the tank/stand assembly level and stable?
- Will there be adequate clearances to combustibles? (Refer to the heater installation manual.)
- Will there be any structural interferences with the heater in place?

Follow the instructions on the tank and in the heater manual to complete the installation.

**WARNING: Do not use this heater stand structure to support any weight in addition to one fan-type unit heater (use only with one Reznor® Model RA110, RA140, RA235, OH95, OH140 or OH190). Maximum weight limit is 500 lbs. DO NOT install a blower-type heater (including ductable Models RAD or OB) on this heater stand. DO NOT use heater stand with a larger fan-type unit heater including RA350 or RA500.**

***Thomas & Betts***

---

©2001 Thomas & Betts Corporation, All rights reserved. Printed in the U.S.A.  
MANUFACTURER OF GAS, OIL, ELECTRIC HEATING AND VENTILATING SYSTEMS  
**Trademark Note:** Reznor® is registered in the United States and other countries.  
1-800-695-1901; [www.ReznorOnLine.com](http://www.ReznorOnLine.com)  
Form 417/461-HS (Version .3)