

**CAUTION: It is recommended that the inlet to the outside air hood NOT be facing into the prevailing wind.**

**CAUTION: Do not install an air hood while the unit is operating.**



## Screened Outside Air Hoods (100% Inlet Opening) and Barometric Relief Damper Hood

**Installation Form RZ-NA 400WH (Version A)  
Obsoletes Form 400-WH**

APPLIES TO: Screened Outside Air Hood,  
Option AS2 or Option AS16; and  
Barometric Relief Damper Hood, Option ASB1

### Description/Application

Reznor screened outside air hood options apply to a variety of Reznor outdoor HVAC systems. There are two types of outside air hoods. Both are shipped separately for field assembly and installation. Follow the instructions that apply. The optional barometric relief damper hood is factory assembled and shipped separately for field installation.

**Option AS2** - The outside air hood in Option AS2 includes a factory assembled louver assembly (U.S. Patent 4,999,037) designed to help eliminate moisture from entering the unit.

**Option AS16** - The outside air hood in Option AS16 is a smaller hood and includes permanent aluminum filters to reduce moisture in the air entering the unit. Due to potential freezing of filters, climate should be considered when selecting and installing this option.

**Option ASB1** - If installing a barometric relief damper, install it *before* installing the Option AS16 outside air hood or before attaching inlet ductwork. DO NOT install Option ASB1 with Option AS2.

#### INDEX ..... Page

<b>Option AS2</b>	
Components .....	1
Dimensions .....	2
Installation .....	2
<b>Option ASB1</b>	
Components .....	1
Dimensions .....	3
Installation .....	3
<b>Option AS16</b>	
Components .....	1
Dimensions .....	3
Installation .....	3-4
Maintenance .....	4

### Installation

Check the parts against the list below and follow the instructions that apply to assemble and install the hood.

#### Outside Air Hood Option Packages include:

Application and Components of OPTION AS2						
Models (C)(H)(HC)-RGB/RPB	75, 100, 125	150, 175	200, 225	250, 300	350	400
Models (C)-RGBL/RPBL				500, 600	700, 1050	400, 800, 1200
Blower Cabinet Model		RBA				RBL
Models ADF/ADFH		300		500		700, 1200
Model PCCA			060, 096, 120, 130, 135, 150, 160, 180, 195, 210, 225		165, 170, 190, 215, 240, 277, 360	
Model PCDA			087, 123, 147, 176, 162, 177, 206, 226, 241, 256, 271		223, 228, 268, 293, 298, 335, 438	
Models AHCA/AHDA			30, 40		55, 70	
<b>Option AS2 Pkg P/N</b>	<b>106201</b>	<b>106202</b>	<b>106203</b>	<b>106204</b>	<b>106205</b>	<b>106206</b>
Right Side Panel	100217	100217	100217	100217	100217	100217
Left Side Panel	100216	100216	100216	100216	100216	100216
Top Panel	100227	100228	100229	100230	100231	100232
Bottom Panel	100234	100235	100236	100237	100238	100239
Screened Louver Assembly	103773	103774	103775	103776	103777	103778
Sheetmetal Screws #10x1/2" long	(29)11813	(29)11813	(29)11813	(29)11813	(29)11813	(29)11813
*Support Angle	105010	105011	105012	105013	105014	105015

\*The support angle is not included in the option package. When a unit is ordered with an Option AS2 outside air hood, the support angle is attached to the cabinet at the factory. The slotted holes will allow for any adjustment required when Option AS2 outside air hood is installed.

Application and Components of OPTION AS16 and OPTION ASB1						
Model PCCA			060, 096, 120, 130, 135, 150, 160, 180, 195, 210, 225		165, 170, 190, 215, 240, 277, 360	
Model PCDA			087, 123, 147, 176, 162, 177, 206, 226, 241, 256, 271		223, 228, 268, 293, 298, 335, 438	
Models AHCA/AHDA			30, 40		55, 70	
<b>Option AS16 Pkg P/N</b>	<b>N/A</b>	<b>N/A</b>	<b>194270</b>	<b>N/A</b>	<b>194281</b>	<b>N/A</b>
Top Panel			194271		194282	
Top Panel Slope Section			(N/A - top panel is one piece)		194289	
Left Side Panel			194272		194272	
Right Side Panel			194273		194273	
Bottom Panel			194274		194283	
Sheetmetal Screws #10x1/2" long			(28) 11813		(37) 11813	
Filter Frame Assembly			194275		194284	
Permanent Aluminum Filter			(4) 18x20x1, 194903		(4) 20x25x1, 101610	
Sheetmetal Screws #10x3/4" long			(2) 99542		(2) 99542	

#### Option ASB1 Optional Barometric Damper Assembly (cannot be used with Option AS2)

Barometric Damper Assembly	N/A	N/A	194893	N/A	194563	N/A
Sheetmetal Screws #10x1/2" long	N/A	N/A	(7) 11813	N/A	(7) 11813	N/A

## Installation Instructions (cont'd)

**All Hoods** - To avoid possible damage during lifting, it is recommended that the outside air hood be installed after the unit has been placed on the roof. The hood should be installed before the unit is operated. **CAUTION: Do not install a hood while the unit is operating.** Installation must be done by a qualified agency in accordance with these instructions and in compliance with all codes and requirements of authorities having jurisdiction.

### Installation Instructions - Option AS2 (Refer to the Figures 1, 2 and 3.)

- 1. Install Top Panel** - On the air inlet end of the cabinet, remove the row of factory-installed screws attaching the cabinet top. Slide the hood top panel under the edge of the cabinet top. The edge of the hood top panel **must** be between the cabinet top and end panel. Reinsert all of the sheetmetal screws.
- 2. Install Side Panels** - Slide the hood right side panel into the slot between the cabinet end panel and corner leg (See Figure 3). Be sure that the side panel is under and to the inside of the hood top panel. Attach to the cabinet and the hood top using the required number of sheetmetal screws. Repeat with the left side panel.
- 3. Install Bottom Panel** - Position the hood bottom panel so that it is to the inside of the two side panels and above the factory-installed support angle. Attach to both side panels.

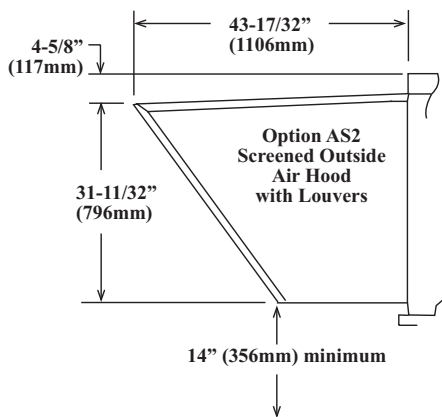
If the bottom panel does not rest tightly against the support angle, follow these instructions to adjust the position of the support angle:

- Slightly loosen (do not remove) the support angle screws.
- Slide the support angle up (holes are slotted) so that it is against the bottom panel.
- Tighten the screws.

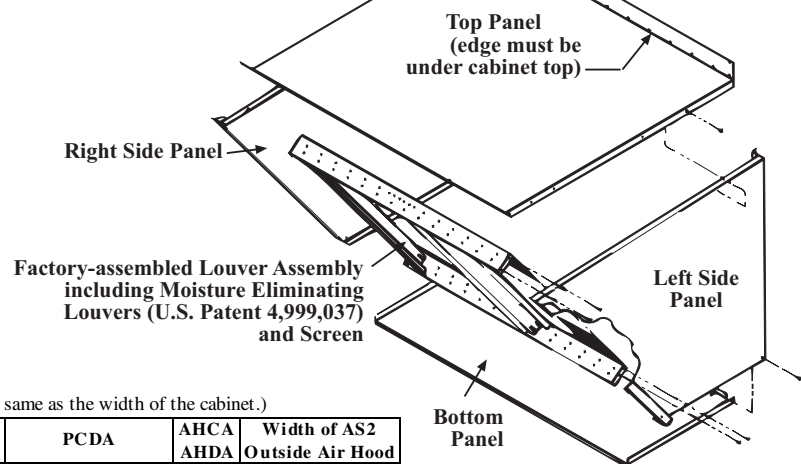
Attach the support angle to the hood bottom panel. The bottom panel of the hood and the support angle should be tight together; do not draw with the sheetmetal screws.

- 4. Install the Louver Assembly** - With the intake screen toward the inside of the hood, position the vertical louver assembly in the inlet opening of the hood. Using the remaining sheetmetal screws, attach the louver assembly to the hood side panels at the holes provided.

**Figure 1 - Dimensions (inches and mm) of Optional Outside Air Hood, Option AS2**



**Figure 2 - Assembly of OPTION AS2 Outside Air Hood with moisture eliminating louvers**



All screw ends except those across the bottom should be inside the hood.

**Width Dimension** (NOTE: The width of the outside air hood is the same as the width of the cabinet.)

RGB RPB	RGBL RPBL	Blower Cabinet	ADF ADFH	PCCA	PCDA	AHCA AHDA	Width of AS2 Outside Air Hood
75,100,125							28-5/8" 727mm
150,175		RBA	300				34-1/8" 867mm
200,225				060, 096, 120, 130, 135, 150, 160, 180, 195, 210, 225	087, 123, 147, 176, 162, 177, 206, 226, 241, 256, 271	30, 40	39-5/8" 1006mm
250,300	500,600		500				47-7/8" 1216mm
350	700,1050			165, 170, 190, 215, 240, 277, 360	223, 228, 268, 293, 298, 335, 438	55, 70	53-3/8" 1356mm
400	400,800,1200	RBL	700,1200				58-7/8" 1495mm

**Figure 3 - Inlet Air End of the Cabinet where Outside Air Hood Option AS2 is attached (Illustration shows a direct-fired Model ADF)**



**Step 1** - Remove all screws holding the top to the cabinet end. Slide the edge of the hood top panel **under** the cabinet top. Re-insert screws.

**Step 2** - Insert hood side panels into slots. Attach to cabinet and hood top panel.

**Step 3** - If the bottom panel of the hood does not rest tightly against the support angle, adjust the position of the support angle:

- Slightly loosen (do not remove) the support angle screws.
- Slide the support angle up so that it is **against** the bottom panel. **Do not draw together with the sheetmetal screws.**
- Tighten the screws.

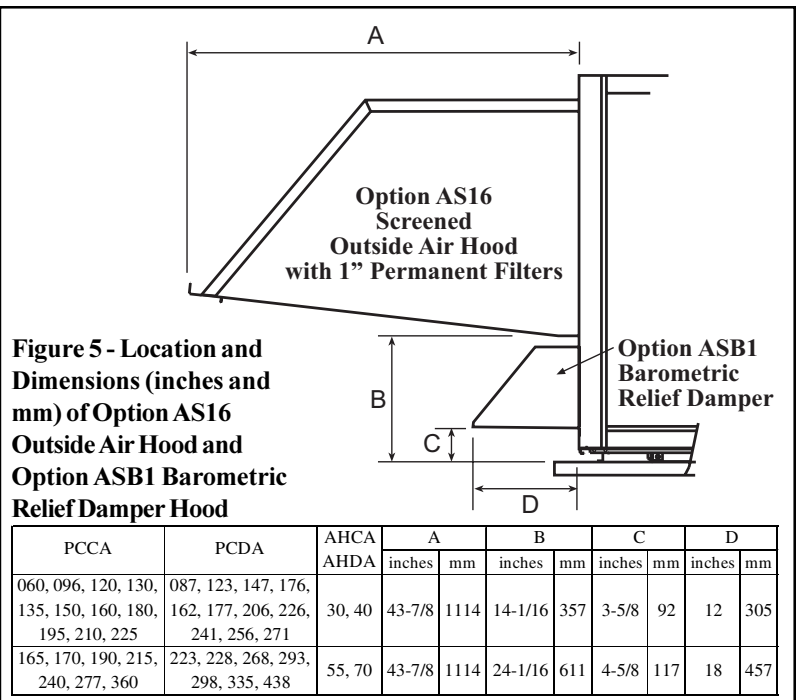
## Installation Instructions - Option ASB1, Barometric Relief Damper Hood

**Figure 4 - Option ASB1 Barometric Relief Hood with Damper**



The barometric relief hood is shipped factory assembled. Attach the barometric relief hood **before** installing an Option AS16 outside air hood or inlet air ductwork. **Do not** install a barometric relief damper with outside air hood, Option AS2. Install the hood **before** the blower is operated. Do not install the hood while the system is in operation.

Refer to Figure 5 for installation location. Use sheetmetal screws to attach the hood over the opening.

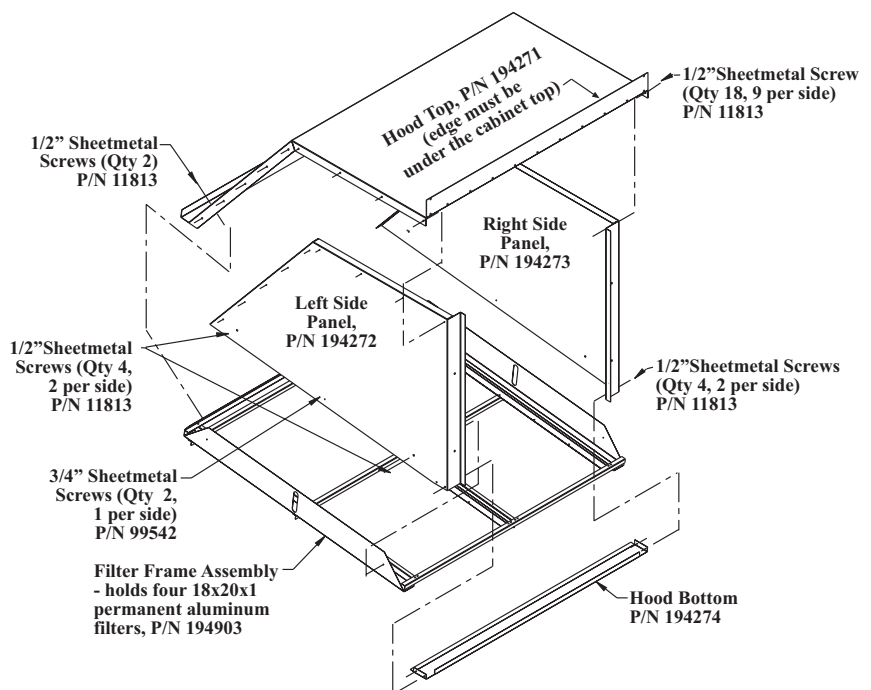


## Installation Instructions - Option AS16 (Refer to Figure 5 and Figure 6A or 6B.)

**Application NOTE:** Due to potential freezing of filters, climate should be considered when selecting and installing this option.

- 1. Install Top Panel** - On the air inlet of the cabinet, remove the factory-installed screws attaching the system top. Slide the hood top panel underneath the edge of the cabinet top. **The edge of the hood top panel must be between the cabinet top and the end panel.** Reinsert all of the sheetmetal screws.
- 2. Install Top Panel Slope Section** (hood with two-piece top only; see Figure 6B, page 4) - Position the slope section under the edge of the top panel. Attach with sheetmetal screws.
- 3. Install Side Panels** - Slide the hood right side panel into the slot between the cabinet end panel and the corner leg. Be sure that the hood side panel is under and to the inside of the hood top panel
- 4. Install Bottom Panel** - Position the hood bottom panel so that it is to the **inside** of the two side panels. Attach to both side panels.
- 5. Install Filter Assembly** - Install filter frame with filters in place. Position the filter frame assembly in the inlet opening of the hood. Attach with sheetmetal screws, using four 1/2" screws at the front and back holes and two 3/4" screws at the center hole on each side.

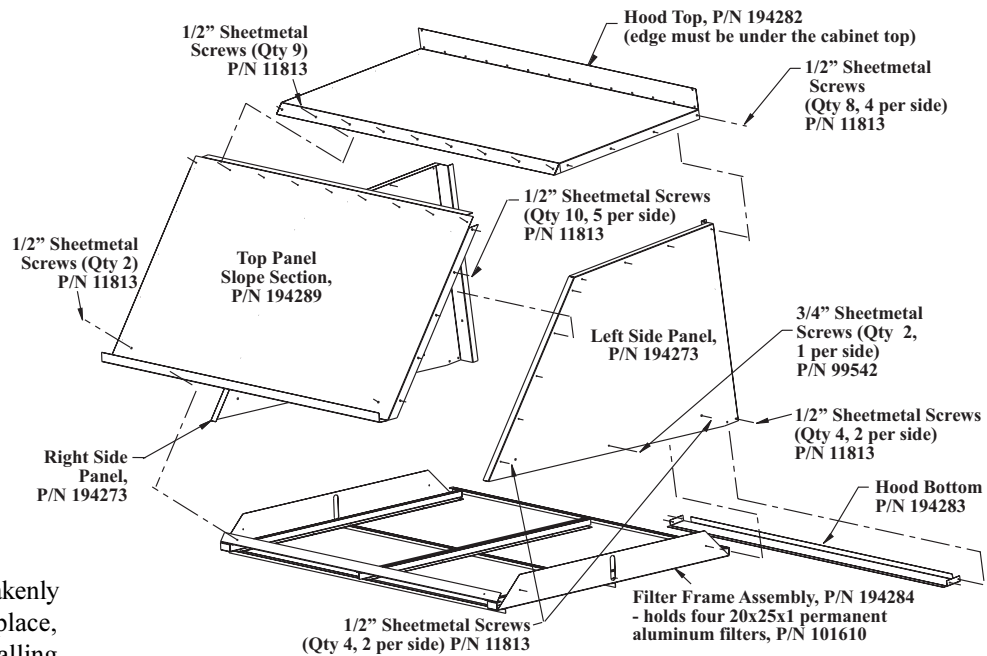
**Figure 6A - Installation of Outside Air Hood Option AS16 with one-piece top - Applies to PCCA 060, 096, 120, 130, 135, 150, 160, 180, 195, 210, 225; PCDA 087, 123, 147, 176, 162, 177, 206, 226, 241, 256, 271; AHCA/AHDA 30, 40**



**NOTE:** If filter tray is mistakenly installed without filters in place, see Figure 7 on page 4 for installing filters.

## Installation Instructions - Option AS16 (cont'd)

**Figure 6B - Installation of Outside Air Hood Option AS16 with two-piece top - Applies to PCCA 165, 170, 190, 215, 240, 277, 360; PCDA 223, 228, 268, 293, 298, 335, 438; AHCA/AHDA 55, 70**



NOTE: If filter tray is mistakenly installed without filters in place, see Figure 7 below for installing filters.

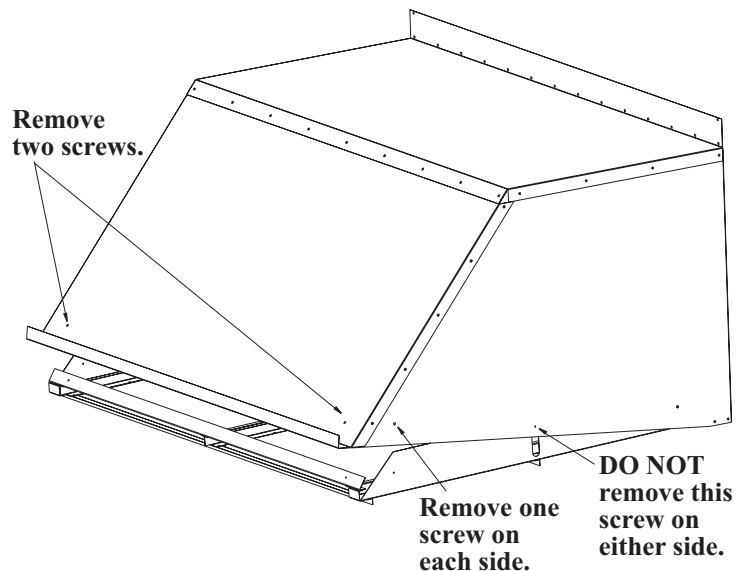
## Maintenance Instructions - Option AS16

Remove and clean the filters annually at a minimum or more frequently as required.

**Figure 7 - Option AS16 Screened Outside Air Hood  
Remove and clean filters. Re-install clean filters.**

### Instructions

1. Remove four screws as illustrated. Lower the tray.
2. Pull out filters. Clean with soap and water. Rinse and allow filters to dry.
3. Slide clean dry filters into tray.
4. Re-position tray and replace screws.



**Thomas & Betts**

©2002 Thomas & Betts Corporation, All rights reserved.

Printed in the U.S.A.

MANUFACTURER OF GAS, OIL, ELECTRIC HEATING AND VENTILATING SYSTEMS

**Trademark Note:** Reznor® is registered in the United States and other countries.

(800) 695-1901; www.ReznorOnline.com

1/02 Form 400WH (Version A)