

IMPORTANT LOCATION NOTE: When selecting a location for installing the roof curb, position the curb so that the air inlet of the unit will **NOT** be facing into the prevailing wind.



Roof Curbs, Option CJ

INSTALLATION FORM RZ-NA 400-C (Version B)
 Obsoletes Form RGM 400-C (Version A)

APPLIES TO: Model Series RGB, RPB, RGBL, RPBL, RPDBL, PCCR, PCCA, PCDA, AHCA, AHDA, RDF, ADF, ADFH, and DFBH; Blower Cabinets RBA, RBHA, and RBL; and Energy Recovery Model ERSA

Table of Contents

	<u>Page</u>
Reznor® Roof Curb Option Description/Application	1
Assembly Instructions (apply to Models listed on page 2)	2
Components and Dimensions	7-12

<table border="0"> <tr> <td>By Model (listed alphabetically)</td> <td>Page</td> <td>IOM Reference</td> </tr> <tr> <td>ADF/ADFH Series</td> <td>7-9</td> <td>RZ-NA 442</td> </tr> <tr> <td>AHCA/AHDA Series</td> <td>10</td> <td>RZ-NA 416</td> </tr> <tr> <td>DFBH Series</td> <td>12</td> <td>Custom</td> </tr> <tr> <td>ERSA Energy Recovery</td> <td>6</td> <td>RZ-NA 480</td> </tr> <tr> <td>PCCA/PCDA Series</td> <td>10-11</td> <td>RZ-NA 415</td> </tr> <tr> <td>PCCR Series</td> <td>11-12</td> <td>RZ-NA 414</td> </tr> <tr> <td>RBA/RBHA Blower Cabinet</td> <td>3-5</td> <td>RZ-NA 409</td> </tr> </table>	By Model (listed alphabetically)	Page	IOM Reference	ADF/ADFH Series	7-9	RZ-NA 442	AHCA/AHDA Series	10	RZ-NA 416	DFBH Series	12	Custom	ERSA Energy Recovery	6	RZ-NA 480	PCCA/PCDA Series	10-11	RZ-NA 415	PCCR Series	11-12	RZ-NA 414	RBA/RBHA Blower Cabinet	3-5	RZ-NA 409	<table border="0"> <tr> <td>By Model (listed alphabetically)</td> <td>Page</td> <td>IOM Reference</td> </tr> <tr> <td>RBL Blower Cabinet</td> <td>3-5</td> <td>RZ-NA 409</td> </tr> <tr> <td>RDF Series</td> <td>7-8</td> <td>RZ-NA 440</td> </tr> <tr> <td>RGB Series</td> <td>3-4</td> <td>RZ-NA 403</td> </tr> <tr> <td>RGBL Series</td> <td>3-5</td> <td>RZ-NA 413</td> </tr> <tr> <td>RPB Series</td> <td>3-4</td> <td>RZ-NA 403</td> </tr> <tr> <td>RPBL Series</td> <td>3-5</td> <td>RZ-NA 413</td> </tr> <tr> <td>RPDBL Series</td> <td>7</td> <td>RZ-NA 413</td> </tr> </table>	By Model (listed alphabetically)	Page	IOM Reference	RBL Blower Cabinet	3-5	RZ-NA 409	RDF Series	7-8	RZ-NA 440	RGB Series	3-4	RZ-NA 403	RGBL Series	3-5	RZ-NA 413	RPB Series	3-4	RZ-NA 403	RPBL Series	3-5	RZ-NA 413	RPDBL Series	7	RZ-NA 413
By Model (listed alphabetically)	Page	IOM Reference																																															
ADF/ADFH Series	7-9	RZ-NA 442																																															
AHCA/AHDA Series	10	RZ-NA 416																																															
DFBH Series	12	Custom																																															
ERSA Energy Recovery	6	RZ-NA 480																																															
PCCA/PCDA Series	10-11	RZ-NA 415																																															
PCCR Series	11-12	RZ-NA 414																																															
RBA/RBHA Blower Cabinet	3-5	RZ-NA 409																																															
By Model (listed alphabetically)	Page	IOM Reference																																															
RBL Blower Cabinet	3-5	RZ-NA 409																																															
RDF Series	7-8	RZ-NA 440																																															
RGB Series	3-4	RZ-NA 403																																															
RGBL Series	3-5	RZ-NA 413																																															
RPB Series	3-4	RZ-NA 403																																															
RPBL Series	3-5	RZ-NA 413																																															
RPDBL Series	7	RZ-NA 413																																															

Assembly Instructions - Model DBFH 12

Description/Application

Optional roof curbs are available to fit all sizes and all horizontal configurations of the Reznor® rooftop equipment listed in the Table of Contents above.

Consult the system installation manual (listed in the Table of Contents above as IOM Reference) for system installation information and attaching ductwork. All sections in this form except Model DBFH include drawings showing locations of the bottom duct openings in relationship to the roof curb.

Roof Curbs for Model Series RGB, RPB, (C)RGBL, RPBL, RPDBL, PCCA, PCDA, AHCA, AHDA, RDF, ADF, and ADFH; Blower Cabinet Models RBA, RBHA, and RBL; and Energy Recovery Model ERSA

Optional roof curbs are shipped in factory-assembled sections for field installation. Curbs are 16" high and are constructed of 16-gauge aluminized steel and 2 x 6 wooden nailers. Field assembly and mounting on the roof are the responsibility of the installer. All hardware necessary to assemble the roof curb is provided; installation hardware must be field supplied.

Roof Curbs for Model Series PCCR

Optional roof curbs are factory-built and shipped to the job site. Curbs are either 14" or 16" high and are all welded construction of 16-gauge galvanized steel with 2 x 4 wooden nailers. Mounting on the roof and installation hardware are the responsibility of the installer.

Roof Curbs for Model Series DFBH

Optional roof curbs are shipped in factory-assembled sections for field installation. Curbs are either 16" or 24" high and are constructed of 16-gauge galvanized steel and 1 x 4 wooden nailers. Field assembly and mounting on the roof are the responsibility of the installer. All hardware necessary to assemble the roof curb is supplied; installation hardware must be field supplied.

Applies to all Curbs

Before installation, verify (1) that the roof curb ordered is the appropriate one for the unit and (2) that the roof curb supplied is the correct size.

Locate the curb depending on roof structure and so that the air inlet is not facing into the prevailing wind. Depending on the weight and the roof structure, tread material may be required under the rails. Roof curb and equipment must be level.

If installing more than one system, it is recommended to minimize structural span deflection to discourage sound transmission.

Mounting and flashing parts and hardware must be field supplied.

Installation of the roof curb is the responsibility of the installer.

Installation Instructions for Roof Curbs for Model Series RGB, RPB, RGBL, RPBL, RPDBL, PCCA, PCDA, AHCA, AHDA, RDF, ADF, and ADFH; Blower Cabinet Models RBA, RBHA, and RBL; and Energy Recovery Model ERSA

CAUTION: Before installation, recheck to be sure that the correct curb has been ordered. Be sure that the curb selected matches the unit ordered. Verify the dimensions of the curb received with the appropriate dimension table.

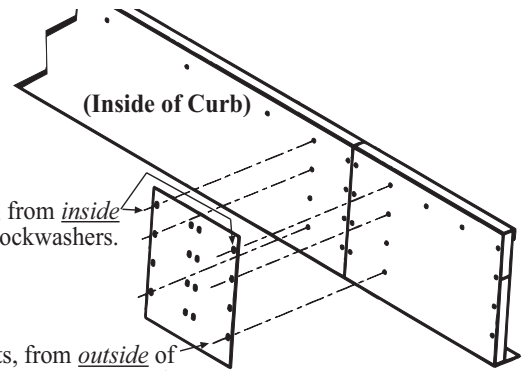
1. Refer to the curb assembly drawing (Figure 1) and the curb dimensions for the model being installed (refer to list on page 1).
2. Position curb end rails and curb side rails as shown in the assembly drawing for each model type. If there are two side pieces to a side, fasten them with splice plates and hardware as illustrated in the splicing detail drawing in Figure 1. Join the corners as illustrated in the corner detail.
3. Check the assembly for squareness. The curb must be adjusted so that the diagonal measurements are equal within a tolerance of $\pm 1/8''$ (± 3 mm).
4. Level the roof curb. To ensure a good weatherproof seal between the unit curb cap and the roof curb, the roof curb must be leveled in both directions with no twist end to end. Shim as required and secure curb to roof deck before proceeding with flashing.
5. Install field-supplied flashing.
6. Before placing the unit into position, apply furnished $1/4'' \times 1-1/4''$ foam sealant tape to the top surface of the curb, making good butt joints at corners. The unit **must be sealed to the curb** to prevent water leakage into the curb area due to blown rain and capillary action.

Figure 1 - Curb Assembly

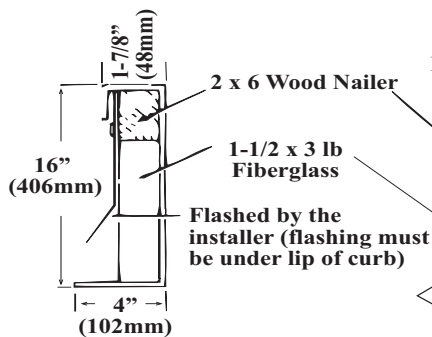
Splicing Detail

For top 2 holes (1 on each side) at both joints, from *inside* of the curb insert (4) $5/16'' \times 1''$ lag screws and (4) $5/16''$ lockwashers.

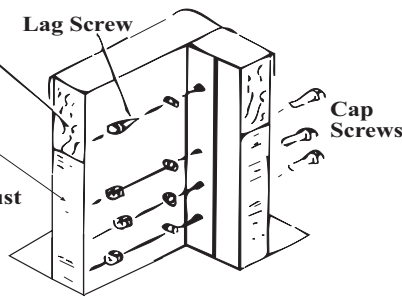
For bottom 6 holes (3 on each side) at both joints, from *outside* of the curb insert (12) $5/16-18 \times 3/4''$ long cap screws. Attach with (12) $5/16''$ lockwashers and (12) $5/16-18$ hex nuts.



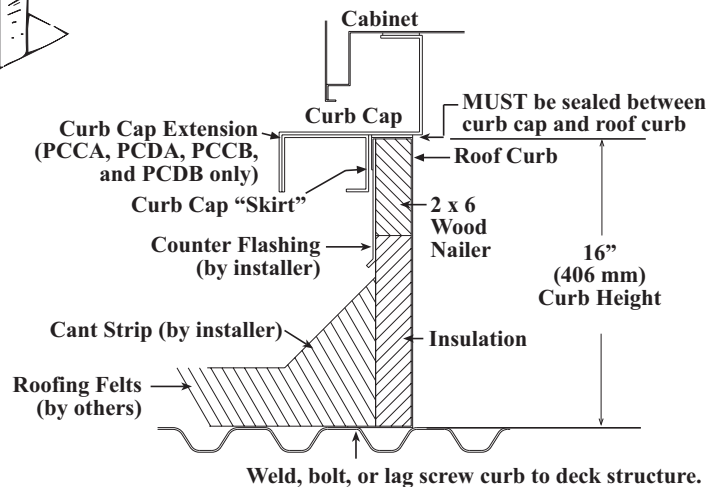
Curb Section



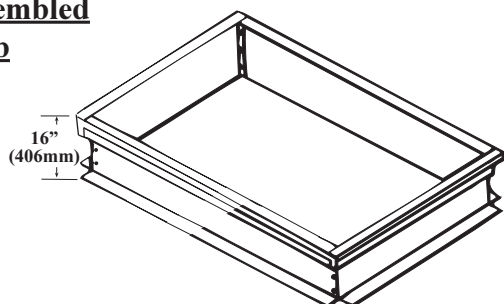
Corner Detail



Typical Curb Detail



Assembled Curb



Components of Roof Curb Packages for Model Series RGB, RPB, RGLB, and RPBL and Blower Cabinets Models RBA, RBHA, and RBL

Roof curb option packages include assembly hardware and four or six factory-assembled curb pieces, as listed below. Installation hardware and supplies are field-supplied.

Assembly Hardware shipped with Roof Curb		
Qty	P/N	Description
12	16247	Cap Screw 5/16"-18 x 3/4" long
12	1035	Hex Nut 5/16" - 18
4	16243	Lag Screw 5/16" x 1" long
16	1333	Lockwasher 5/16"
	66302	1/4" x 1-1/4" x 50' Foam Sealant Tape
Additional Parts for Roof Curb Options with six pieces (requires splicing of sides)		
2	107260	Splice Plate
4	16243	Lag Screw 5/16" x 1" long
16	1333	Lockwasher 5/16"
12	16247	Cap Screw 5/16"-18 x 3/4" long
12	1035	Hex Nut 5/16" - 18

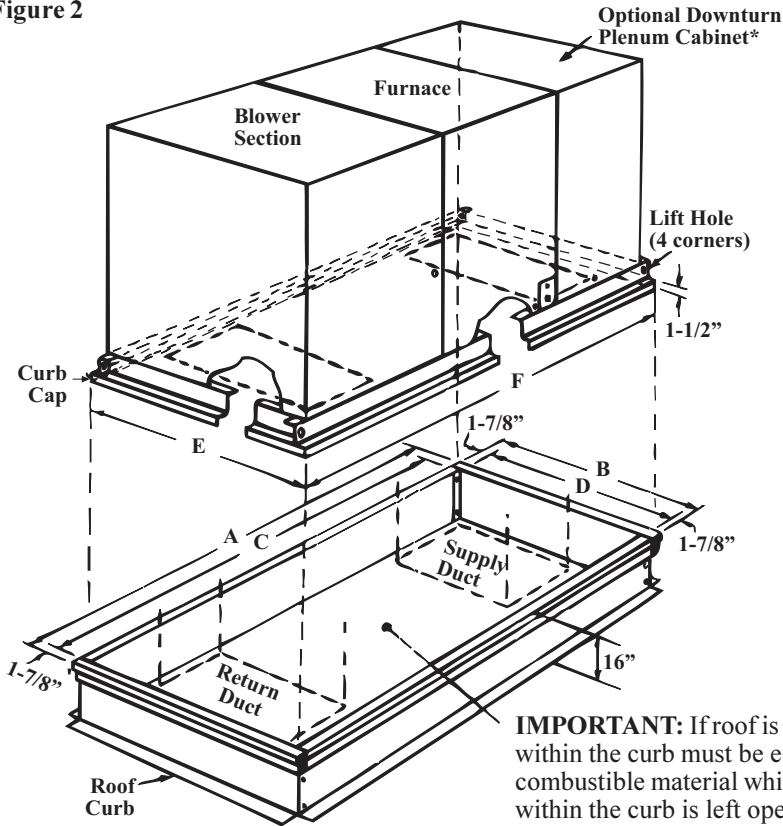
Roof Curb Option	RGB / RPB Series	Pkg P/N	Curb Side Assembly	Curb Front and Back Assembly
CJ1 - blower and heater only	75, 100, 125	105215	(2)105221	(2)104652
	150, 175	105216	(2)105221	(2)104653
	200, 225	105217	(2)105221	(2)104654
	250, 300	105218	(2)105221	(2)104655
	350	105219	(2)105221	(2)104656
	400	105220	(2)105221	(2)104657
CJ2 - with downturn plenum AQ5 or AQ8	75, 100, 125	104673	(2)104649	(2)104652
	150, 175	104674	(2)104649	(2)104653
	200, 225	104675	(2)104649	(2)104654
	250, 300	104676	(2)104649	(2)104655
	350	104677	(2)104649	(2)104656
CJ4 - with cooling coil cabinet AU2 or AU3	75, 100, 125	174067	(2)104649	(2)104652
			(2)173607	
	150, 175	174068	(2)104649	(2)104653
			(2)173608	
	200, 225	174069	(2)104649	(2)104654
			(2)173609	
	250, 300	174070	(2)104649	(2)104655
	(2)173610			
350	174071	(2)104649	(2)104656	
		(2)173611		
400	174072	(2)104649	(2)104657	
		(2)172866		
CJ5 - with cooling coil cabinet AU13 or AU14 with downturn plenum	75, 100, 125	174073	(2)104649	(2)104652
			(2)172873	
	150, 175	174074	(2)104649	(2)104653
			(2)172874	
	200, 225	174075	(2)104649	(2)104654
			(2)172875	
250, 300	174076	(2)104649	(2)104655	
		(2)172876		
350	174077	(2)104649	(2)104656	
		(2)172877		
400	174078	(2)104649	(2)104657	
		(2)172878		

Roof Curb Option	RGLB/ RPBL Series	Pkg P/N	Curb Side Assembly	Curb Front and Back Assembly
CJ1 - blower and heater only	400	107251	(2)107257	(2)104657
	500, 600	107252	(2)107258	(2)104655
	700	107253	(2)107258	(2)104656
	800	107254	(2)107258	(2)104657
	1050	107255	(2)107259	(2)104656
	1200	107256	(2)107259	(2)104657
CJ2 - with downturn plenum AQ5 or AQ8	400	107270	(2)107256	(2)104657
	500, 600	107271	(2)107257	(2)104655
	700	107272	(2)107257	(2)104656
	800	107273	(2)107257	(2)104657
	1050	107274	(2)107258	(2)104656
	1200	107275	(2)107258	(2)104657
CJ4 - with cooling coil cabinet AU2 or AU3	400	174102	(2)104649	(2)104657
			(2)172867	
	500, 600	174103	(2)104649	(2)104655
			(2)172868	
	700	174104	(2)104649	(2)104656
			(2)172869	
	800	174105	(2)104649	(2)104657
	(2)172870			
1050	174106	(2)104649	(2)104656	
		(2)172871		
1200	174107	(2)104649	(2)104657	
		(2)172872		
CJ5 - with cooling coil cabinet AU13 or AU14 with downturn plenum	400	174108	(2)104649	(2)104657
			(2)172879	
	500, 600	174109	(2)104649	(2)104655
			(2)172880	
	700	174110	(2)104649	(2)104656
			(2)172881	
	800	174111	(2)104649	(2)104657
	(2)172882			
1050	174112	(2)173606	(2)104656	
		(2)172883		
1200	174113	(2)173606	(2)104657	
		(2)172884		

Roof Curb Option	Blower Cabinet	Pkg P/N	Curb Side Assembly	Curb Front and Back Assembly
CJ1 - standard cabinet with horizontal discharge	RBL	111944	(2)111940	(2)104657
	RBA/ RBHA	112115	(2)112114	(2)104653
CJ2 - with downturn plenum AQ5 or AQ8	RBL	111381	(2)111385	(2)104657

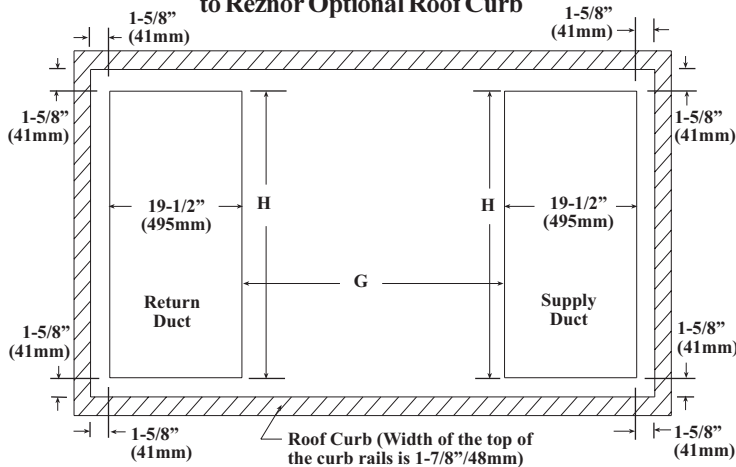
Dimensions (inches $\pm 1/4$ " / mm ± 6) for Model Series RGB, RPB, RGLB, and RPBL and Blower Cabinet Models RBL, RBA, RBHA - Follow the installation instructions on page 2.

Figure 2



IMPORTANT: If roof is constructed of combustible materials, the area within the curb must be either ventilated, left open, or covered with non-combustible material which has an "R" value of at least 5.0. If the area within the curb is left open, higher radiated sound levels may result.

Return and Supply Duct Dimensions in Relation to Reznor Optional Roof Curb



NOTE: The 1-5/8" measurements are from the duct opening on the unit to the *inside* edge of Reznor Roof Curb.

Duct Openings - When cutting duct openings, cut opening 1" larger than duct size to allow clearance for installation.

Model Series		Blower Cabinet Model	H
RGB and RPB	RGLB and RPBL		17-3/8" 441mm
150, 175		RBA, RBHA	22-7/8" 581mm
200, 225			28-3/8" 721mm
250, 300	500, 600		36-5/8" 930mm
350	700, 1050		42-1/8" 1070mm
400	400, 800, 1200	RBL	47-5/8" 1210mm

*Illustration shown in Figure 2 is with an Option AQ5 or AQ8 downturn plenum. The system can have a variety of configurations which affect installation:

- If the system does not have a downturn plenum, the discharge is horizontal.
- Downturn plenum **Options AQ5 and AQ8 (illustrated) are factory installed** to be lifted to the roof and set on the roof curb as part of the packaged system.
- If the system has an **Option AU2 or AU3** cooling coil cabinet, the discharge is **horizontal**. Options AU2 and AU3 **are not factory installed**. Options AU2 and AU3 **must be lifted to the roof separately from the packaged system, set on the roof curb, and attached to the system**.
- If the system has an **Option AU11, AU12, AU13, AU14** cooling coil cabinet, there is a downturn plenum with **vertical discharge**. Options AU11, AU12, AU13, and AU14 **are not factory installed**. Options AU11, AU12, AU13, and AU14 **must be lifted to the roof separately from the packaged system, set on the roof curb, and attached to the system**.

Roof Curb Dimensions for Blower Cabinet Models RBL, RBA, and RBHA - Refer to Figure 2
 Dimensions (inches ± 1/4") Dimensions (mm ± 6)

	Model RBL			Models RBA and RBHA		Model RBL			Models RBA and RBHA
	Option CJ1 - for Standard Cabinet	Option CJ2 - with Downturn Plenum Option AQ5 or AQ8	Option CJ1 - for Standard Cabinet	Option CJ1 - for Standard Cabinet		Option CJ1 - or Standard Cabinet	Option CJ2 - with Downturn Plenum Option AQ5 or AQ8	Option CJ1 - for Standard Cabinet	
A	59-1/16"	82-1/16"	37-1/16"	A	1500 mm	2084 mm	914 mm		
B	53-9/16"	53-9/16"	29-13/16"	B	1360 mm	1360 mm	757 mm		
C**	55-5/16"	78-5/16"	33-5/16"	C**	1405 mm	1989 mm	846 mm		
D**	49-13/16"	49-13/16"	26-1/16"	D**	1265 mm	1265 mm	662 mm		
E	55-15/16"	55-15/16"	31-1/8"	E	1421 mm	1421 mm	791 mm		
F	60-7/16"	83-1/2"	38-1/2"	F	1535 mm	2121 mm	978 mm		
G	N/A	36-5/16"	N/A	G	N/A	922 mm	N/A		

** C and D are roof opening dimensions.

Roof Curb Dimensions for Model Series RGB/RPB - Refer to Figure 2
 Dimensions (inches ± 1/4") Dimensions (mm ± 6)

Size	75, 100, 125	150, 175	200, 225	250, 300	350	400
Option CJ1 - Roof Curb for RGB/RPB**						
A	60-5/8	60-5/8	60-5/8	60-5/8	60-5/8	60-5/8
B	24-5/16	29-13/16	35-5/16	43-9/16	49-1/16	54-1/2
C***	56-15/16	56-15/16	56-15/16	56-15/16	56-15/16	56-15/16
D***	20-9/16	26-1/16	31-9/16	39-13/16	45-5/16	50-13/16
E	25-7/8	31-3/8	36-7/8	45-1/8	50-5/8	56-1/8
F	62-5/32	62-5/32	62-5/32	62-5/32	62-5/32	62-5/32
Option CJ2 - Roof Curb for RGB/RPB** with Factory-Installed Downturn Plenum Option AQ5 or AQ8						
A	84-9/16	84-9/16	84-9/16	84-9/16	84-9/16	84-9/16
B	24-5/16	29-13/16	35-5/16	43-9/16	49-1/16	54-1/2
C***	80-13/16	80-13/16	80-13/16	80-13/16	80-13/16	80-13/16
D***	20-9/16	26-1/16	31-9/16	39-13/16	45-5/16	50-13/16
E	25-7/8	31-3/8	36-7/8	45-1/8	50-5/8	56-1/8
F	86-1/16	86-1/16	86-1/16	86-1/16	86-1/16	86-1/16
G	38-5/8	38-5/8	38-5/8	38-5/8	38-5/8	38-5/8
Option CJ4 - Roof Curb for RGB/RPB** with Field-Installed**** Cooling Coil Cabinet Option AU2 or AU3						
A	98-3/8	103-7/8	109-3/8	117-21/32	123-5/32	128-21/32
B	24-5/16	29-13/16	35-5/16	43-9/16	49-1/16	54-1/2
C***	94-5/8	100-1/8	105-5/8	113-29/32	119-13/32	124-29/32
D***	20-9/16	26-1/16	31-9/16	39-13/16	45-5/16	50-13/16
E	25-7/8	31-3/8	36-7/8	45-1/8	50-5/8	56-1/8
F	99-5/32	104-21/32	110-5/32	118-7/16	123-15/16	129-7/16
Option CJ5 - Roof Curb for RGB/RPB** with Field-Installed**** Cooling Cabinet and Downturn Plenum Option AU11, AU12, AU13, or AU14						
A	122-3/8	127-7/8	133-3/8	141-21/32	147-5/32	152-21/32
B	24-5/16	29-13/16	35-5/16	43-9/16	49-1/16	54-1/2
C***	118-5/8	124-1/8	129-5/8	137-29/32	143-13/32	148-29/32
D***	20-9/16	26-1/16	31-9/16	39-13/16	45-5/16	50-13/16
E	25-7/8	31-3/8	36-7/8	45-1/8	50-5/8	56-1/8
F	123-5/32	128-21/32	134-5/32	142-7/16	147-15/16	153-7/16
G	75-31/32	81-15/32	86-31/32	95-1/4	100-3/4	106-1/4

Size	75, 100, 125	150, 175	200, 225	250, 300	350	400
Option CJ1 - Roof Curb for RGB/RPB**						
A	1540	1540	1540	1540	1540	1540
B	618	757	897	1106	1246	1384
C***	1446	1446	1446	1446	1446	1446
D***	522	662	802	1011	1151	1291
E	658	797	937	1146	1286	1426
F	1579	1579	1579	1579	1579	1579
Option CJ2 - Roof Curb for RGB/RPB** with Factory-Installed Downturn Plenum Option AQ5 or AQ8						
A	2148	2148	2148	2148	2148	2148
B	618	757	897	1106	1246	1384
C***	2053	2053	2053	2053	2053	2053
D***	522	662	802	1011	1151	1291
E	658	797	937	1146	1286	1426
F	2186	2186	2186	2186	2186	2186
G	981	981	981	981	981	981
Option CJ4 - Roof Curb for RGB/RPB** with Field-Installed**** Cooling Coil Cabinet Option AU2 or AU3						
A	2499	2638	2778	2988	3128	3251
B	618	757	897	1106	1246	1384
C***	2403	2543	2683	2893	3033	3173
D***	522	662	802	1011	1151	1291
E	658	797	937	1146	1286	1426
F	2519	2658	2798	3008	3148	3288
Option CJ5 - Roof Curb for RGB/RPB** with Field-Installed**** Cooling Cabinet and Downturn Plenum Option AU11, AU12, AU13, or AU14						
A	3108	3248	3388	3598	3738	3877
B	618	757	897	1106	1246	1384
C***	3013	3153	3292	3503	3643	3759
D***	522	662	802	1011	1151	1291
E	658	797	937	1146	1286	1426
F	3128	3268	3408	3618	3758	3897
G	1930	2069	2209	2419	2559	2699

** Applies to Models with prefix "C", "H", and "HC"

*** C and D are roof opening dimensions.

**** Field installed means that the cooling coil cabinet with or without the downturn is factory assembled and shipped separately. The roof curb is sized to accommodate the complete length of the system.

The shipped-separate cooling coil cabinet with or without a downturn must be lifted to the roof separately from the packaged system, set on the roof curb, and attached to the furnace section. NOTE: If the coil is field supplied, place the coil in the cabinet before lifting.

Dimensions for Model Series RGB, RPB, RGLB, RPBL, and RPDBL and Blower Cabinet Models RBL, RBA, RBHA (cont'd) - Follow the instructions on page 2

Roof Curb Dimensions for Model Series RGLB/RPBL (inches and mm) - Refer to Figure 2, page 4

Dimensions (inches ± 1/4")

Size	400	500/600	700	800	1050	1200
Option CJ1 - Roof Curb for RGLB/RPBL**						
A	82-1/4	108-1/4	108-1/4	108-1/4	134-1/4	134-1/4
B	54-1/2	43-9/16	49-1/16	54-1/2	49-1/16	54-1/2
C***	78-1/2	104-1/2	104-1/2	104-1/2	130-1/2	130-1/2
D***	50-13/16	39-13/16	45-5/16	50-13/16	45-5/16	50-13/16
E	56-1/8	45-1/8	50-5/8	56-1/8	50-5/8	56-1/8
F	83-3/4	109-3/4	109-3/4	109-3/4	135-3/4	135-3/4
Option CJ2 - Roof Curb for RGLB/RPBL** with Factory-Installed Downturn Plenum Option AQ5 or AQ8						
A	106-1/4	132-1/4	132-1/4	132-1/4	158-1/4	158-1/4
B	54-1/2	43-9/16	49-1/16	54-1/2	49-1/16	54-1/2
C***	102-1/2	128-1/2	128-1/2	128-1/2	154-1/2	154-1/2
D***	50-13/16	39-13/16	45-5/16	50-13/16	45-5/16	50-13/16
E	56-1/8	45-1/8	50-5/8	56-1/8	50-5/8	56-1/8
F	107-3/4	133-3/4	133-3/4	133-3/4	159-3/4	159-3/4
G	60-5/16	86-5/16	86-5/16	86-5/16	112-5/16	112-5/16
Option CJ4 - Roof Curb for RGLB/RPBL** with Field-Installed **** Cooling Coil Cabinet Option AU2 or AU3						
A	150-1/4	165-1/4	170-3/4	176-1/4	196-3/4	202-1/4
B	54-1/2	43-9/16	49-1/16	54-1/2	49-1/16	54-1/2
C***	146-1/2	161-1/2	167	172-1/2	193	198-1/2
D***	50-13/16	39-13/16	45-5/16	50-13/16	45-5/16	50-13/16
E	56-1/8	45-1/8	50-5/8	56-1/8	50-5/8	56-1/8
F	151-1/32	166-1/32	171-17/32	177-1/32	197-17/32	203-1/32
Option CJ5 - Roof Curb for RGLB/RPBL** with Field-Installed **** Cooling Coil Cabinet with Downturn Plenum Cabinet Option AU11, AU12, AU13 or AU14						
A	174-1/4	189-1/4	194-3/4	200-1/4	220-3/4	226-1/4
B	54-1/2	43-9/16	49-1/16	54-1/2	49-1/16	54-1/2
C***	170-1/2	185-1/2	191	196-1/2	217	222-1/2
D***	50-13/16	39-13/16	45-5/16	50-13/16	45-5/16	50-13/16
E	56-1/8	45-1/8	50-5/8	56-1/8	50-5/8	56-1/8
F	170-1/32	190-1/32	195-17/32	201-1/32	221-17/32	227-1/32
G	127-17/32	142-17/32	148-1/32	153-17/32	174-1/32	179-17/32

Dimensions (mm ± 6)

Size	400	500/600	700	800	1050	1200
Option CJ1 - Roof Curb for RGLB/RPBL** - mm						
A	2089	2750	2750	2750	3410	3410
B	1384	1106	1246	1384	1246	1384
C***	1994	2654	2654	2654	3315	3315
D***	1291	1011	1151	1291	1151	1291
E	1426	1146	1286	1426	1286	1426
F	2127	2788	2788	2788	3448	3448
Option CJ2 - Roof Curb for RGLB/RPBL** with Factory-Installed Downturn Plenum Option AQ5 or AQ8 - mm						
A	2699	3359	3359	3359	4020	4020
B	1384	1106	1246	1384	1246	1384
C***	2604	3264	3264	3264	3924	3924
D***	1291	1011	1151	1291	1151	1291
E	1426	1146	1286	1426	1286	1426
F	2637	3397	3397	3397	4058	4058
G	1532	2192	2192	2192	2853	2853
Option CJ4 - Roof Curb for RGLB/RPBL** with Field-Installed **** Cooling Coil Cabinet Option AU2 or AU3 - mm						
A	3816	4197	4337	4477	4997	5137
B	1384	1106	1246	1384	1246	1384
C***	3721	4102	4242	4382	4902	5042
D***	1291	1011	1151	1291	1151	1291
E	1426	1146	1286	1426	1286	1426
F	3836	4217	4357	4497	5017	5157
Option CJ5 - Roof Curb for RGLB/RPBL** with Field-Installed **** Cooling Coil Cabinet with Downturn Plenum Cabinet Option AU11, AU12, AU13 or AU14 - mm						
A	4426	4807	4947	5086	5607	5747
B	1384	1106	1246	1384	1246	1384
C***	4331	4712	4851	4991	5512	5652
D***	1291	1011	1151	1291	1151	1291
E	1426	1146	1286	1426	1286	1426
F	4319	4827	4966	5106	5627	5767
G	3239	3620	3760	3900	4420	4560

** Applies to Models with prefix "C" *** C and D are roof opening dimensions.

**** Field installed means that the cooling coil cabinet with or without the downturn is factory assembled and shipped separately. The roof curb is sized to accommodate the complete length of the system.

The shipped-separate cooling coil cabinet with or without a downturn must be lifted to the roof separately from the packaged system, set on the roof curb, and attached to the furnace section. NOTE: If the coil is field supplied, place the coil in the cabinet before lifting.

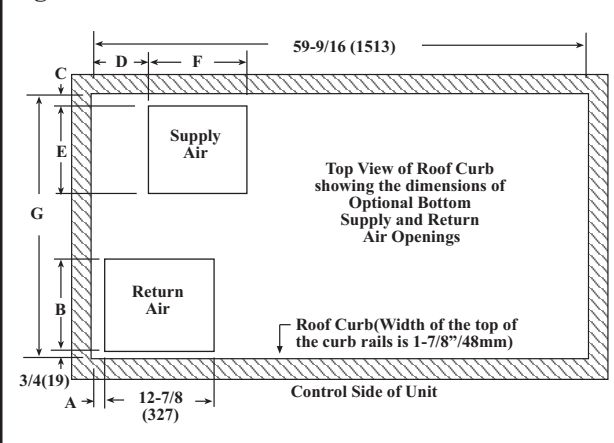
Components and Dimensions of Roof Curb Packages for Energy Recovery Model ERSA - Follow the installation instructions on page 2

Roof Curb Option Packages include hardware and four factory-assembled curb pieces.

Hardware shipped with Roof Curb		
Qty	P/N	Description
12	16247	Cap Screw 5/16"-18 x 3/4" long
12	1035	Hex Nut 5/16" - 18
4	16243	Lag Screw 5/16" x 1" long
16	1333	Lockwasher 5/16"
	66302	1/4" x 1-1/4" x 50' Foam Sealant Tape

Model	ERSA 3	ERSA 4	ERSA 5
Pkg P/N	151143	151144	151145
Curb Side Assembly	(2) 150960	(2) 150960	(2) 150960
Curb End Assembly	(2) 150961	(2) 150962	(2) 150963

Figure 3



ERSA	3	4	5
Dimensions (inches)			
A	1-15/16	2-9/16	2-9/16
B	13-7/8	16-7/8	22-7/8
C	5/8	1-5/8	1-5/8
D	7-1/8	2-9/16	2-9/16
E	13-3/4	15-5/16	19-1/4
F	12-1/16	16-9/16	16-9/16
G	35-3/4	41-3/4	53-3/4
Dimensions (mm)			
A	49	65	65
B	352	429	581
C	16	41	41
D	151	65	65
E	349	389	489
F	306	421	421
G	908	1060	1365

Roof Curb Dimensions (inches and mm) for Model Series RPDBL

NOTE: If component part numbers are required, contact your distributor.

Dimensions (inches ± 1/4")

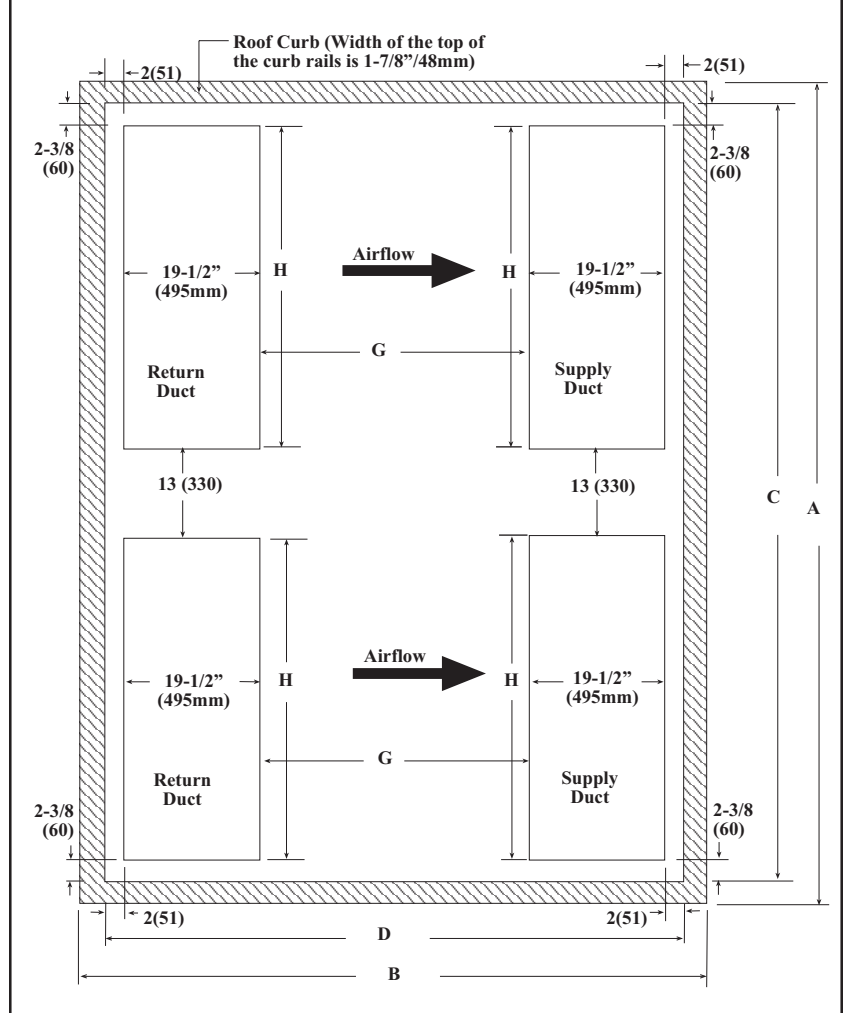
Size	800	1000/1200	1400	1600
Option CJ1 - Roof Curb for RPDBL				
A	116-1/4	94-1/4	105-1/4	116-1/4
B	82-9/16	108-9/16	108-9/16	108-9/16
C*	113	91	102	113
D*	79-5/16	105-5/16	105-5/16	105-5/16
Option CJ2 - Roof Curb for RPDBL with Factory-Installed Downturn Plenums, Opt AQ5 or AQ8				
A	116-1/4	94-1/4	105-1/4	116-1/4
B	106-9/16	132-9/16	132-9/16	132-9/16
C*	113	91	102	113
D*	103-5/16	129-5/16	129-5/16	129-5/16
G	60-5/16	86-5/16	86-5/16	86-5/16
H	47-5/8	36-5/8	42-1/8	47-5/8

Dimensions (mm ± 6)

Size	800	1000/1200	1400	1600
Option CJ1 - Roof Curb for RPDBL				
A	2953	2394	2673	2953
B	2097	2757	2757	2757
C*	2870	2311	2591	2870
D*	2015	2675	2675	2675
Option CJ2 - Roof Curb for RPDBL with Factory-Installed Downturn Plenums, Opt AQ5 or AQ8				
A	2953	2445	2673	2953
B	2707	3367	3367	3367
C*	2870	2311	2591	2870
D*	2624	3285	3285	3285
G	1532	2192	2192	2192
H	1210	930	1070	1210

*C and D are roof opening dimensions.

Figure 4 - Model RPDBL Roof Curb and Bottom Outlet Dimensions



Components of Roof Curb Packages for Model Series RDF, ADF and ADFH - Follow the installation instructions on page 2

Roof Curb Option Packages include hardware and four factory-assembled curb pieces.

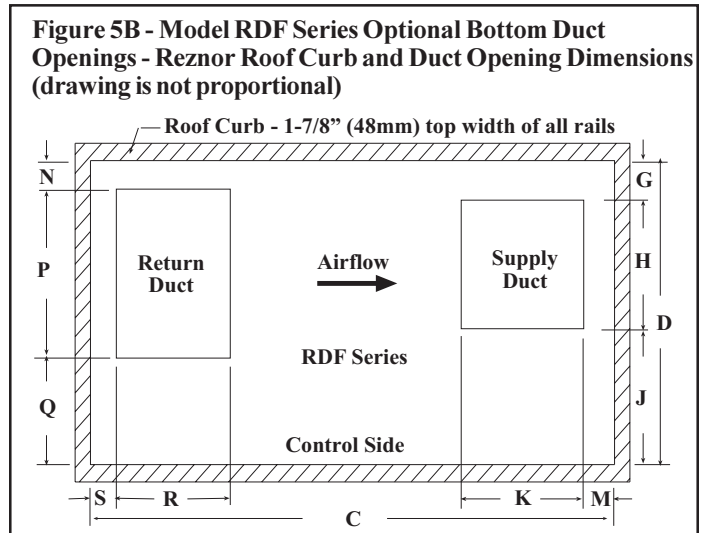
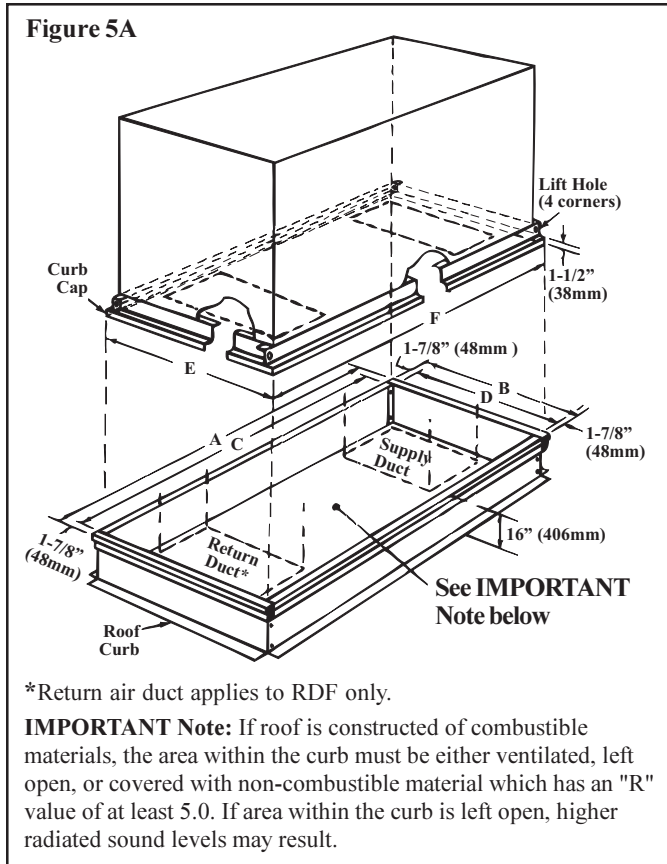
Assembly Hardware shipped with Roof Curb		
Qty	P/N	Description
12	16247	Cap Screw 5/16"-18 x 3/4" long
12	1035	Hex Nut 5/16" - 18
4	16243	Lag Screw 5/16" x 1" long
16	1333	Lockwasher 5/16"
	66302	1/4" x 1-1/4" x 50' Foam Sealant Tape

Roof Curb Option	RDF Series	Pkg P/N	Curb Side Assembly	Curb Front and Back Assembly
CJ3	RDF-1	104676	(2)104649	(2)104655
	RDF-2	111497	(2)104649	(2)111508
	RDF-3	111498	(2)111516	(2)111512

Roof Curb Option	ADF Series	Pkg P/N	Curb Side Assembly	Curb Front and Back Assembly
CJ3 - horizontal discharge	300	104674	(2)104649	(2)104653
	500	104676	(2)104649	(2)104655
	700/ 1200	124029	(2)124026	(2)104657
CJ6 - vertical discharge	300	104674	(2)104649	(2)104653
	500	104676	(2)104649	(2)104655
	700/ 1200	124033	(2)124030	(2)104657

Roof Curb Option	ADFH Series	Pkg P/N	Curb Side Assembly	Curb Front and Back Assembly
CJ7 - vertical discharge	300	104674	(2)107258	(2)104653
	500	104676	(2)107258	(2)104655
	700/ 1200	124033	(2)124030	(2)104657

Dimensions (inches ± 1/4"/mm ± 6) for Direct-Fired Models Series RDF, ADF, ADFH - Follow the installation instructions on page 2.



Model	RDF-1		RDF-2		RDF-3	
Option CJ3						
	inches	mm	inches	mm	inches	mm
A	84-5/8	2149	84-5/8	2149	131-3/4	3346
B	43-5/8	1108	67-9/16	1716	82-1/16	2084
C**	80-7/8	2054	80-7/8	2054	128	3251
D**	39-7/8	1013	63-13/16	1621	78-5/16	1989
E	45-1/2	1156	69-7/16	1764	83-1/16	2110
F	85-1/4	2165	85-1/4	2165	132-5/8	3369
G	5-7/16	138	13-15/16	354	12-13/32	315

** C and D are roof opening dimensions.

Model	H		J		K		M		N		P		Q		R		S	
RDF	inches	mm	inches	mm	inches	mm	inches	mm	inches	mm	inches	mm	inches	mm	inches	mm	inches	mm
-1	22	559	12-7/16	316	19-1/8	486	10-7/16	265	5-7/16	138	22-1/8	562	12-5/16	313	17	432	3/16	5
-2	27-1/2	699	22-3/8	568	27-1/2	699	7-7/16	189	6-11/16	170	41-7/8	1064	15-1/4	387	22	559	4-5/16	110
-3	37	940	28-29/32	734	37	940	6-7/8	175	9-5/8	244	57-1/8	1451	11-9/16	294	30-1/4	768	9-3/8	238

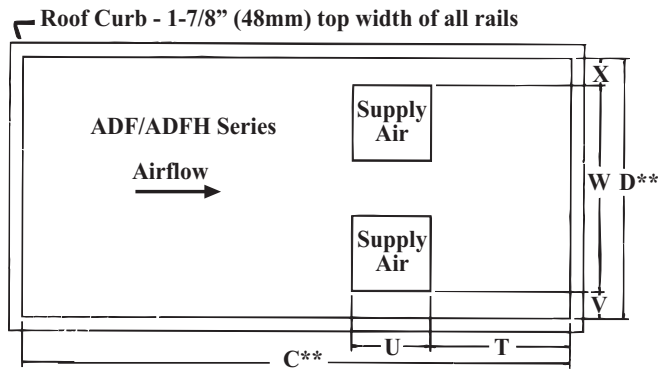
Roof Curb Dimensions (inches) for Model Series ADF/ADFH - refer to Figures 5A and 5C

Size	300	500	700	1200
Option CJ3 - Model ADF with Horizontal Discharge				
A	84-9/16	84-9/16	90-7/8	90-7/8
B	29-13/16	43-9/16	54-1/2	54-1/2
C**	80-13/16	80-13/16	87-1/8	87-1/8
D**	26-1/16	39-13/16	50-13/16	50-13/16
E	31-1/16	44-13/16	55-13/16	55-13/16
F	85-13/16	85-13/16	92-1/8	92-1/8
Option CJ6 - Model ADF with Vertical Discharge				
A	84-9/16	84-9/16	115-25/32	115-25/32
B	29-13/16	43-9/16	54-1/2	54-1/2
C**	80-13/16	80-13/16	112-1/32	112-1/32
D**	26-1/16	39-13/16	50-13/16	50-13/16
E	31-1/16	44-13/16	55-13/16	55-13/16
F	85-13/16	85-13/16	117-1/32	117-1/32
Option CJ7 - Model ADFH with Vertical Discharge				
A	108-1/4	108-1/4	115-25/32	115-25/32
B	29-13/16	43-9/16	54-1/2	54-1/2
C**	104-1/2	104-1/2	112-1/32	112-1/32
D**	26-1/16	39-13/16	50-13/16	50-13/16
E	31-1/16	44-13/16	55-13/16	55-13/16
F	109-1/2	109-1/2	117-1/32	117-1/32

Roof Curb Dimensions (mm) for Model Series ADF/ADFH - refer to Figures 5A and 5C

Size	300	500	700	1200
Option CJ3 - Model ADF with Horizontal Discharge				
A	2148	2148	2308	2308
B	757	1106	1384	1384
C**	2053	2053	2213	2213
D**	662	1011	1291	1291
E	789	1138	1418	1418
F	2180	2180	2340	2340
Option CJ6 - Model ADF with Vertical Discharge				
A	2148	2148	2941	2941
B	757	1106	1384	1384
C**	2053	2053	2846	2846
D**	662	1011	1291	1291
E	789	1138	1418	1418
F	2180	2180	2973	2973
Option CJ7 - Model ADFH with Vertical Discharge				
A	2750	2750	2941	2941
B	757	1106	1384	1384
C**	2654	2654	2846	2846
D**	662	1011	1291	1291
E	789	1138	1418	1418
F	2781	2781	2973	2973

Figure 5C - Models ADF/ADFH Series with Optional Bottom Duct Opening - Duct Opening Dimensions in Relationship to Reznor Roof Curb



** C and D are roof opening dimensions.

Dimensions (inches) - refer to Figure 5C

Model	T	U	V	W	X
ADF-300	4-25/32	13-13/16	5-5/8	15-15/16	4-1/2
ADF-500	4-25/32	16-1/16	19-1/4	14-13/16	5-3/4
ADF-700	28-19/32	13-13/16	5-5/16	40-5/16	5-5/16
ADF-1200	28-19/32	16-1/16	5-5/16	40-5/16	5-5/16
ADFH-300	28-19/32	13-13/16	5-5/8	15-15/16	4-1/2
ADFH-500	28-19/32	16-1/16	19-1/4	14-13/16	5-3/4
ADFH-700	28-19/32	13-13/16	5-5/16	40-5/16	5-5/16
ADFH-1200	28-19/32	16-1/16	5-5/16	40-5/16	5-5/16

Dimensions (mm) - refer to Figure 5C

Model	T	U	V	W	X
ADF-300	121	351	143	405	114
ADF-500	121	408	489	376	146
ADF-700	726	351	135	1024	135
ADF-1200	726	408	135	1024	135
ADFH-300	726	351	143	405	114
ADFH-500	726	408	489	376	146
ADFH-700	726	351	135	1024	135
ADFH-1200	726	408	135	1024	135

Components of Roof Curb Packages for Model Series PCCA, PCDA, AHCA, and AHDA - Follow the installation instructions on page 2.

Roof Curb Option Packages include hardware and six factory-assembled curb pieces.

Assembly Hardware shipped with Roof Curb					
Qty	P/N	Description	Qty	P/N	Description
12	16247	Cap Screw 5/16"-18 x 3/4" long	4	16243	Lag Screw 5/16" x 1" long
12	1035	Hex Nut 5/16" - 18	16	1333	Lockwasher 5/16"
4	16243	Lag Screw 5/16" x 1" long	12	16247	Cap Screw 5/16"-18 x 3/4" long
16	1333	Lockwasher 5/16"	12	1035	Hex Nut 5/16" - 18
2	107260	Splice Plate		66302	1/4" x 1-1/4" x 50' Foam Sealant Tape

Packaged Models PCCA and PCDA

Option CJ27 - Cooling or Cooling/Dehumidifying Only (no heat option)		Curb Option P/N	Curb Side Assembly		Curb Front and Back Assembly
PCCA	PCDA		Qty - 2 each	Qty - 2	
60, 96, 120, 130, 135, 150, 160, 180, 195, 210, 225	87, 123, 147, 176, 162, 177, 206, 226, 241, 256, 271	178146	104649	172876	104654
165, 170, 190, 215, 240, 277, 360	223, 228, 268, 293, 298, 335, 438	178148	104649	172869	104656
Option CJ28 - with Gas Furnace Size 100, 125, 150, 175, 200, or 225 or Hydronic Heat Coil Module		Curb Option P/N	Curb Side Assembly		Curb Front and Back Assembly
PCCA	PCDA		Qty - 2 each	Qty - 2	
60, 96, 120, 130, 135, 150, 160, 180, 195, 210, 225	87, 123, 147, 176, 162, 177, 206, 226, 241, 256, 271	178146	104649	172876	104654
165, 170, 190, 215, 240, 277, 360	223, 228, 268, 293, 298, 335, 438	178148	104649	172869	104656
Option CJ29 - with Gas Furnace Size 250, 350, 300, 400, 500, 600, or 700 or both Gas Furnace Size 200, 225, or 350 and Hydronic Heat Coil Module		Curb Option P/N	Curb Side Assembly		Curb Front and Back Assembly
PCCA	PCDA		Qty - 2 each	Qty - 2	
60, 96, 120, 130, 135, 150, 160, 180, 195, 210, 225	87, 123, 147, 176, 162, 177, 206, 226, 241, 256, 271	178147	104649	172869	104654
165, 170, 190, 215, 240, 277, 360	223, 228, 268, 293, 298, 335, 438	178148	104649	172869	104656

Split System Air Handler Models AHCA and AHDA

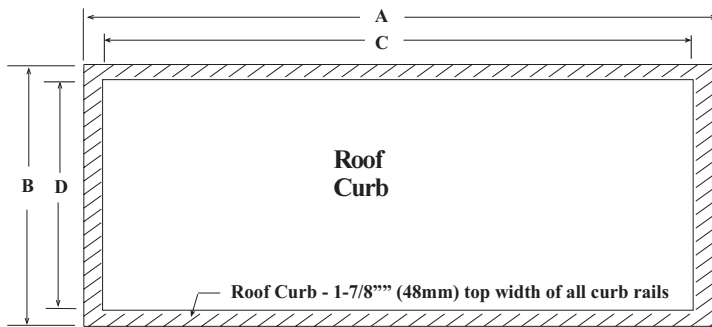
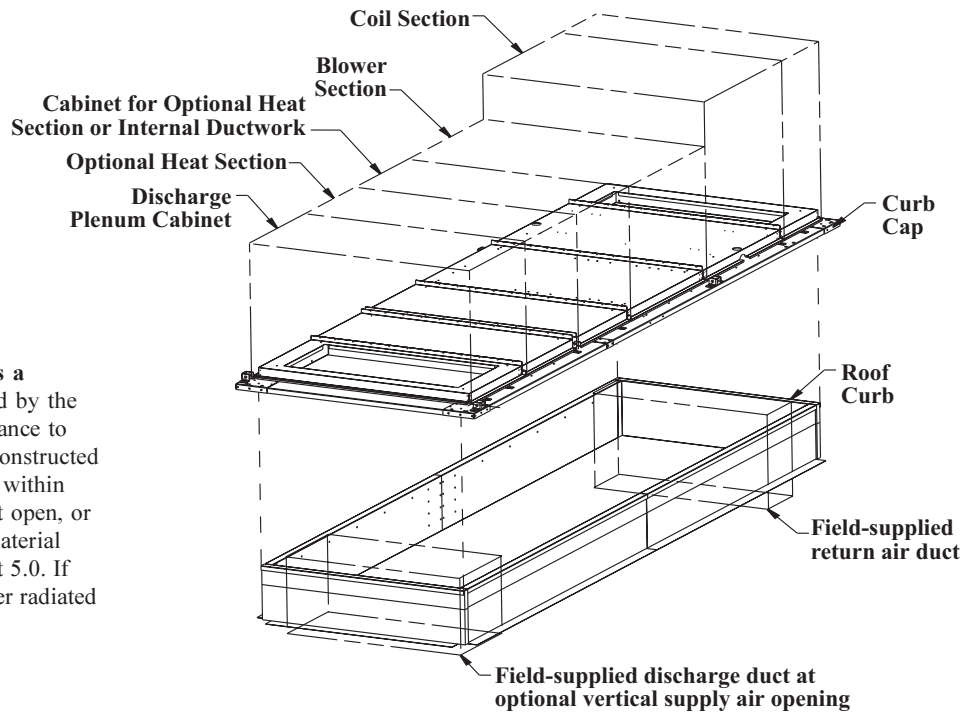
Option CJ27 - Cooling or Cooling/Dehumidifying Only (no heat option) or with Hydronic Heat Coil Module, or Gas Furnace Size 100, 125, 150, 175, 200, 225, 250, or 350		Curb Option P/N	Curb Side Assembly		Curb Front and Back Assembly
AHCA	AHDA		Qty - 2 each	Qty - 2	
30, 40	30, 40	178146	104649	172876	104654
55, 70	55, 70	195266	104649	172876	104656
Option CJ29 - with Gas Furnace Size 300, 400, 500, 600, or 700 or both Gas Furnace Size 200, 225, or 350 and Hydronic Heat Coil Module		Curb Option P/N	Curb Side Assembly		Curb Front and Back Assembly
AHCA	AHDA		Qty - 2 each	Qty - 2	
30, 40	30, 40	178147	104649	172869	104654
55, 70	55, 70	178148	104649	172869	104656

Dimensions (inches ± 1/4"/mm ± 6) for Cooling Model Series PCCA, PCDA, AHCA, AHDA - Follow the installation instructions on page 2.

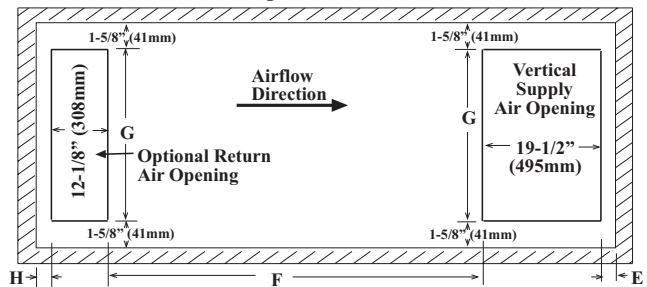
Figure 6

IMPORTANT:
To minimize sound transfer and prevent air and water leakage, the top surface of curb **MUST** be sealed.

IMPORTANT: If the system has a furnace section, the area enclosed by the roof curb must comply with clearance to combustible materials. If roof is constructed of combustible materials, the area within curb must be either ventilated, left open, or covered with **non-combustible** material which has an "R" value of at least 5.0. If area within curb is left open, higher radiated sound levels may result.



Return and Supply Duct Dimensions in Relation to Reznor Optional Roof Curb



Model PCCA	Model PCDA	Gas Furnace, Heat Coil Module, or Internal Ductwork Section		A	B	C	D	E	F	G	H
060, 096, 120, 130, 135, 150, 160, 180, 195, 210, 225	087, 123, 147, 162, 176, 177, 206, 226, 241, 256, 271	with 1 of the above listed sections	inches	141-5/8	35-5/16	137-7/8	31-9/16	2-1/8	100-9/16	28-3/8	3-5/8
			mm	3597	897	3502	802	54	2554	721	92
165, 170, 190, 215, 240, 277, 360	223, 228, 268, 293, 298, 335, 438	with 2 of the above listed sections	inches	170-3/4	35-5/16	167	31-9/16	3-11/16	126-9/16	28-3/8	5-3/16
			mm	4337	897	4242	802	94	3215	721	132
165, 170, 190, 215, 240, 277, 360	223, 228, 268, 293, 298, 335, 438	with 2 of the above listed sections	inches	170-3/4	49-1/16	167	45-5/16	3-11/16	126-9/16	42-1/8	5-3/16
			mm	4337	1246	4242	1151	94	3215	1070	132

Model AHCA and AHDA Size and Configuration			A	B	C	D	E	F	G	H
30, 40	Cooling or Cooling/Dehumidifying only (no heat options); <i>with</i> Heating Coil Module (steam or hot water); or <i>with</i> Gas Furnace Size 100, 125, 150, 175, 200, or 225	inches	141-5/8	35-5/16	137-7/8	31-9/16	2-1/8	100-9/16	28-3/8	3-5/8
		mm	3597	897	3502	802	54	2554	721	92
	<i>with</i> Gas-Fired Furnace Size 300 or 400; or <i>with</i> both a Gas-Fired Furnace Size 200 or 225 and a Heating Coil Module (steam or hot water)	inches	170-3/4	35-5/16	167	31-9/16	3-11/16	126-9/16	28-3/8	5-3/16
		mm	4337	897	4242	802	94	3215	721	132
55, 70	Cooling or Cooling/Dehumidifying only (no heat options), <i>with</i> Heating Coil Module (steam or hot water); or <i>with</i> Gas Furnace Size 250 or 350	inches	141-5/8	49-1/16	137-7/8	45-5/16	2-1/8	100-9/16	42-1/8	3-5/8
		mm	3597	1246	3502	1151	54	2554	1070	92
	<i>With</i> Gas Furnace Size 500, 600, or 700; or <i>with</i> both Gas Furnace Size 350 and Heating Coil Module (steam or hot water)	inches	170-3/4	49-1/16	167	45-5/16	3-11/16	126-9/16	42-1/8	5-3/16
		mm	4337	1246	4242	1151	94	3215	1070	132

Roof Curbs for Model Series PCCR

Option	Description	Package P/N by Model Size			
		071	101, 141	181, 201, 271	361
CJ30	14" Uninsulated Roof Curb	174732	174736	174740	174744
CJ31	14" Insulated Roof Curb	174733	174737	174741	174745
CJ32	16" Uninsulated Roof Curb	174734	174738	174742	174746
CJ33	16" Insulated Roof Curb	174735	174739	174743	174747

Roof Curb Dimensions for Model Series PCCR - Inches ± 1/4"/mm ± 6

Curb dimension illustrations are shown in top view. Overall dimensions shown are outside dimensions; *not* roof opening dimensions. Curbs are shipped fully assembled for placing on the roof. Mounting, leveling, and flashing are the responsibility of the installer. (Illustrations are not proportional.)

Figure 7A - Roof Curb for Model PCCR 071

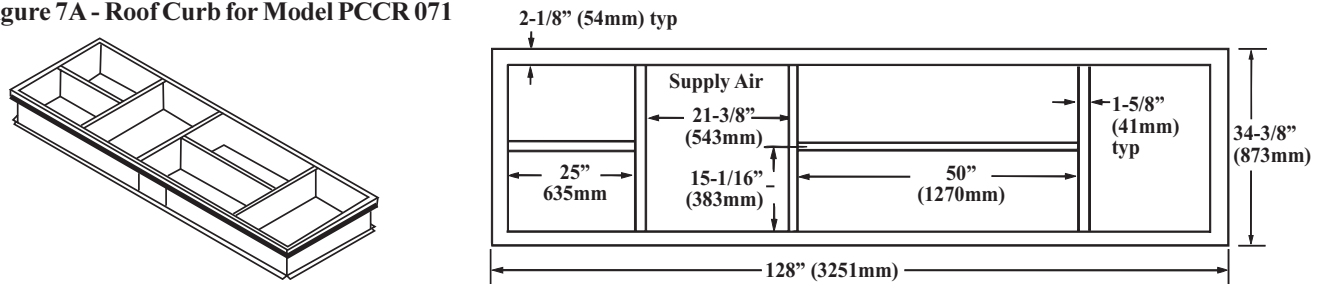


Figure 7B - Roof Curb for Model PCCR 101 and 141

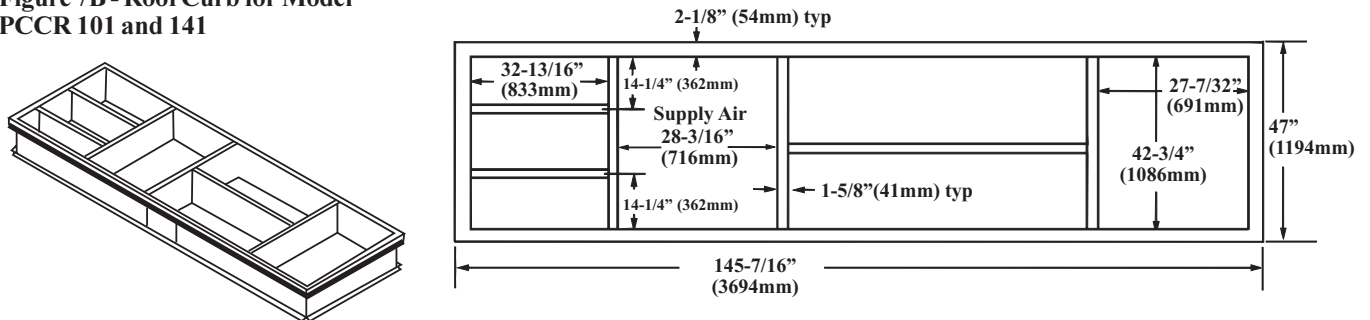
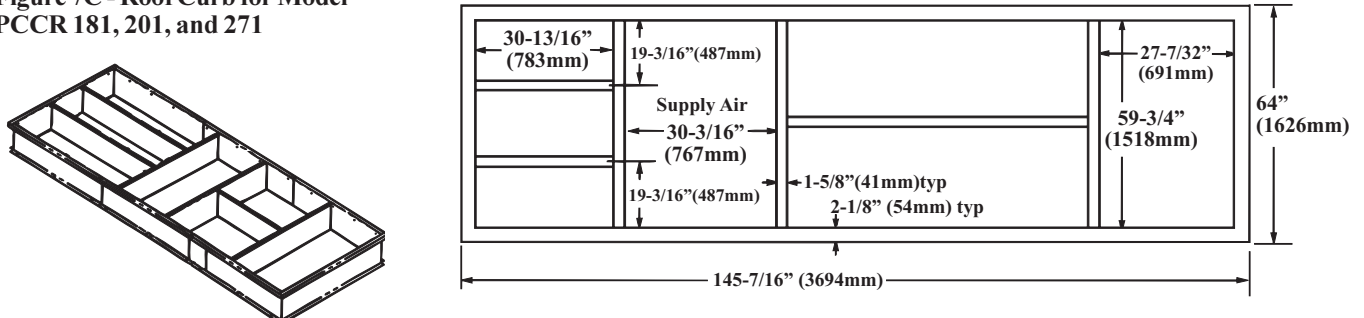
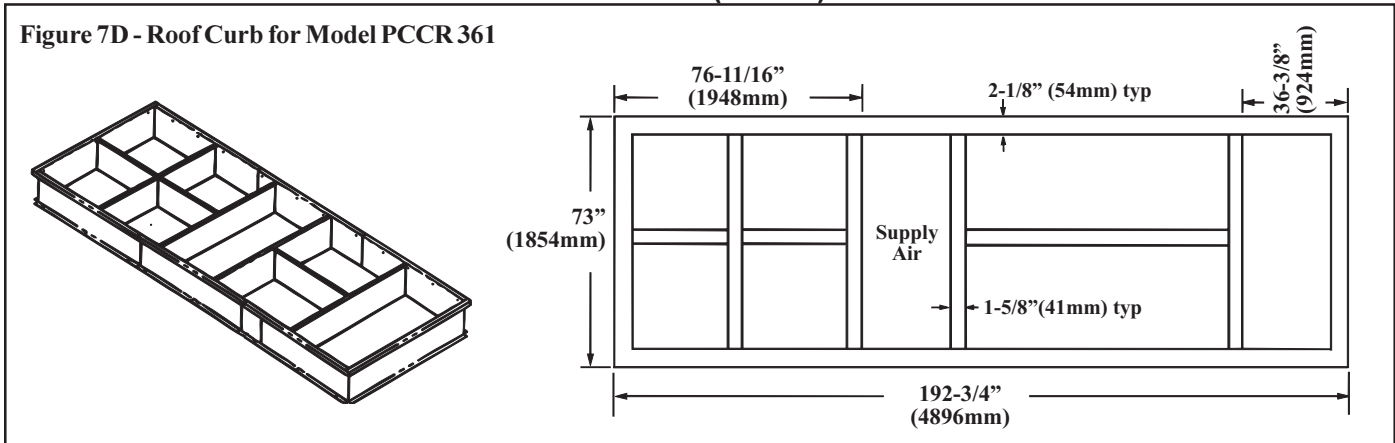


Figure 7C - Roof Curb for Model PCCR 181, 201, and 271



Roof Curb Dimensions for Model Series PCCR (cont'd)



Roof Curbs for Model Series DFBH

Option	Description
CJ3A	16" Roof Curb shipped <i>with</i> the unit
CJ3B	16" Roof Curb shipped separately <i>prior to</i> the unit
CJ9A	24" Roof Curb shipped <i>with</i> the unit
CJ9B	24" Roof Curb shipped separately <i>prior to</i> the unit

DFBH Note: For P/N's and components of a roof curb for a Model DFBH, contact your distributor.

Curb dimension illustrations are shown in top view. Dimensions shown are outside dimensions; *not* roof opening dimensions. Curbs are shipped in factory-assembled sections for field installation; see Figure 8B. Mounting, leveling, and flashing are the responsibility of the installer.

The curb supports the burner and blower sections of the unit. If the system includes filters, dampers, hoods or other accessories extending beyond the curb, additional vertical supports must be field supplied.

Figure 8A - Dimensions of Roof Curb for Model DFBH

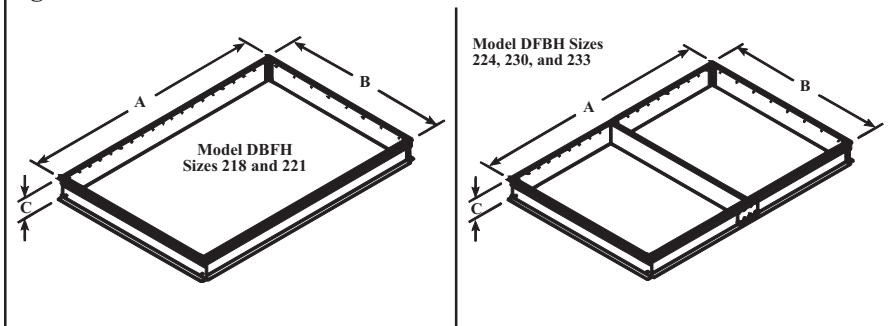
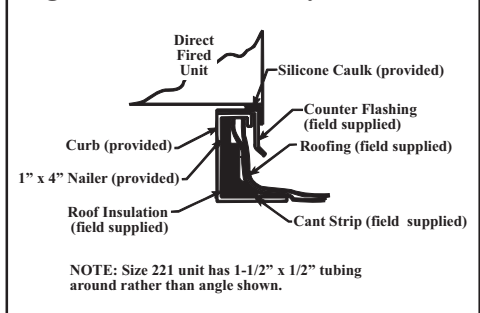


Figure 8B - Curb Assembly



Dimensions (Inches ± 1/4") for Roof Curbs for Model Series DFBH

Size		218	221	224	230	233
A	inches	61-1/4	68-1/4	106-1/4	140-1/4	156-1/4
	mm	1556	1734	2699	3562	3969
B	inches	71-1/4	96-1/4	96-1/4	96-1/4	106-1/4
	mm	1810	2445	2445	2445	2699
C	inches	16 or 24	16 or 24	16 or 24	16 or 24	16 or 24
	mm	406 or 610	406 or 610	406 or 610	406 or 610	406 or 610

Thomas & Betts

©2001 Thomas & Betts Corporation, All rights reserved.

Printed in U.S.A.

MANUFACTURER OF GAS, OIL, ELECTRIC HEATING AND VENTILATING SYSTEMS

Trademark Note: Reznor® is registered in the United States and other countries.

1-800-695-1901; www.ReznorOnline.com

8/01 YL Form 400-C (Version B.1)